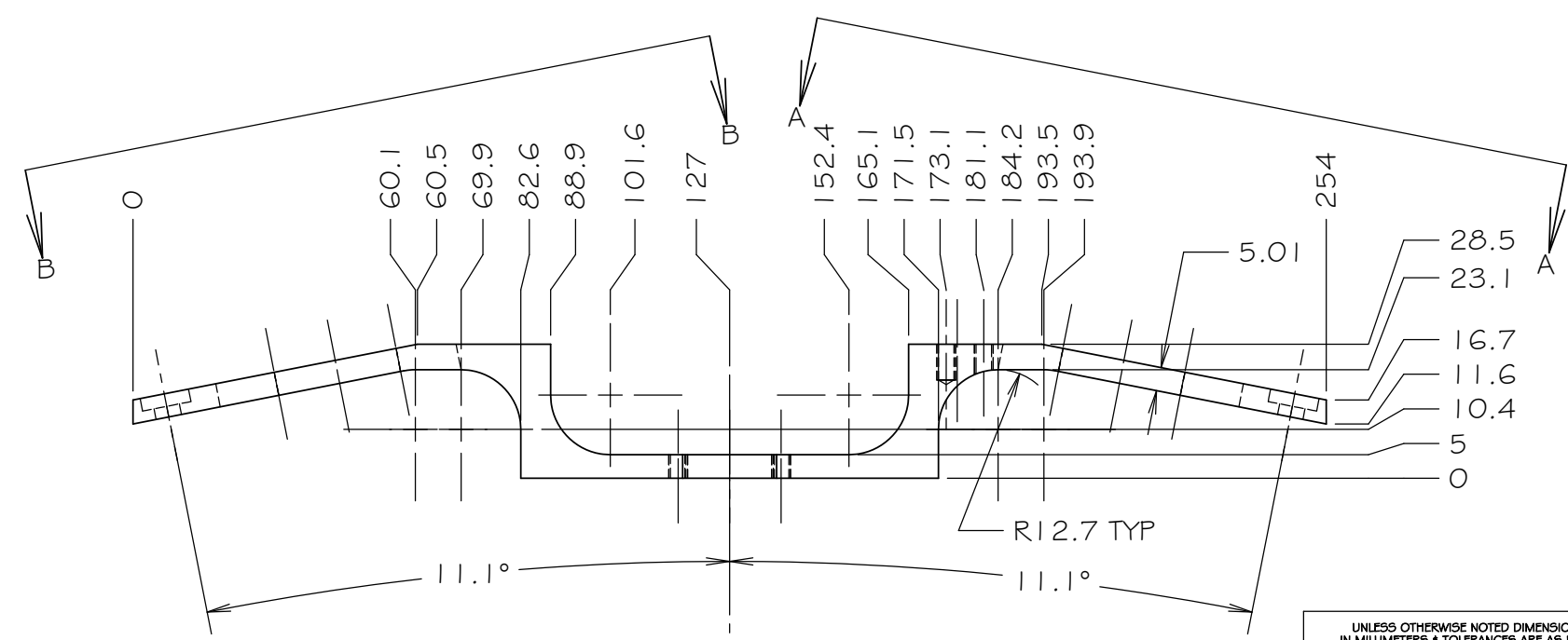
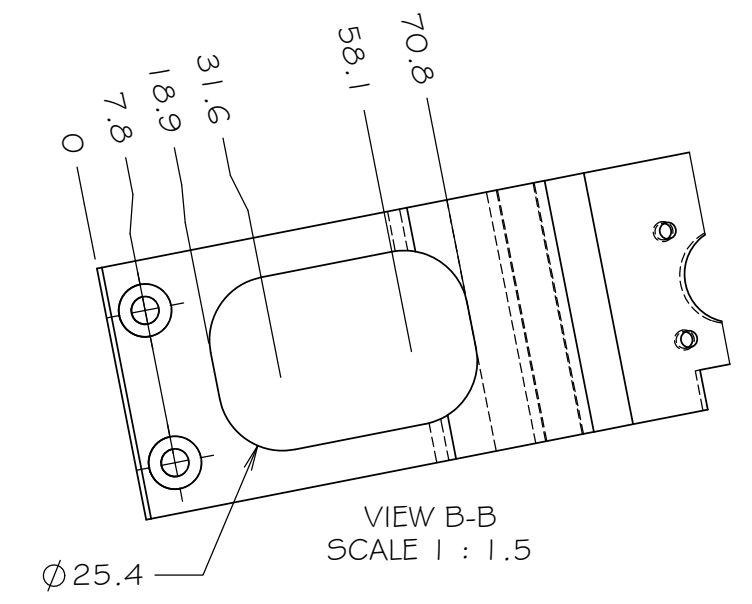
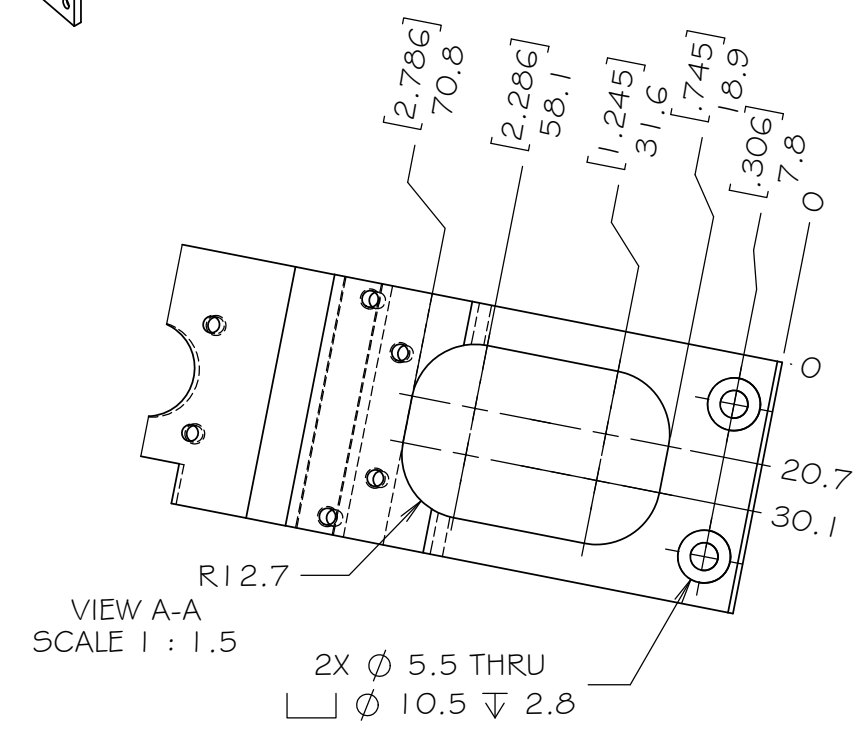
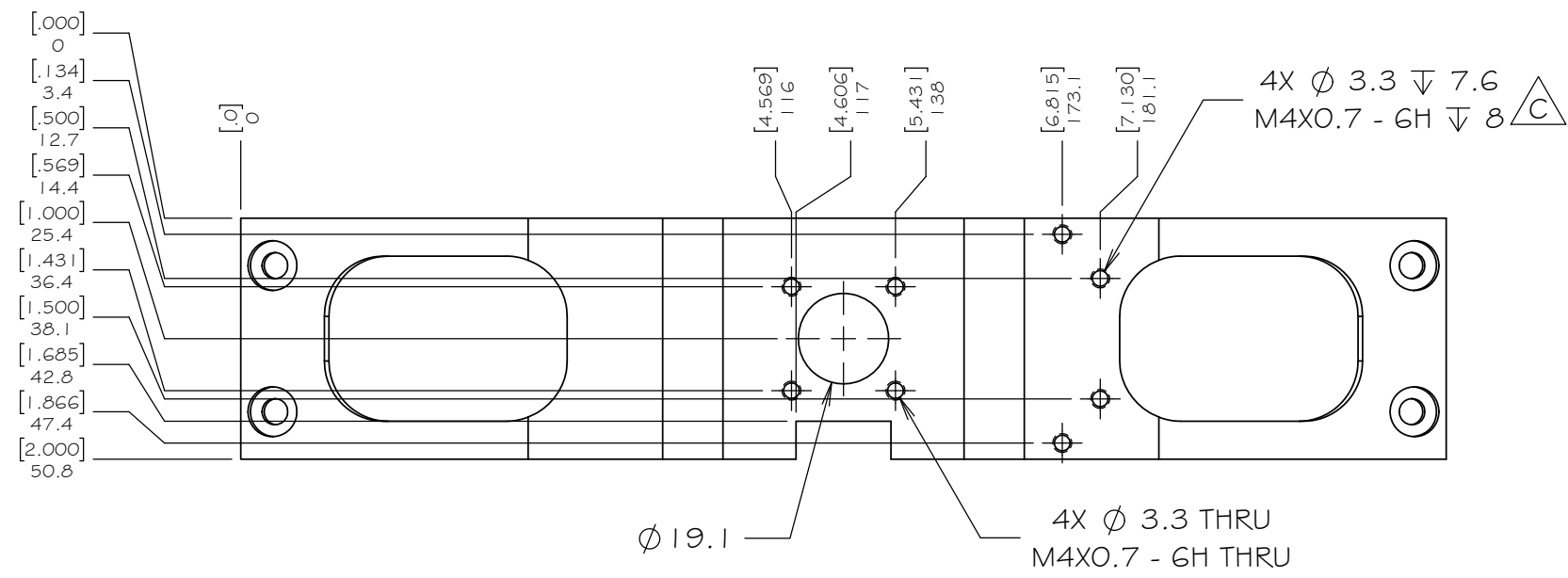
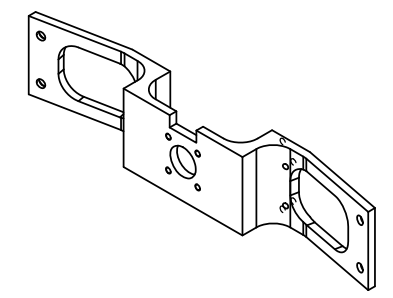


REVISIONS				
DRWN	DATE	CHK'D	REV	DESCRIPTION
CR	23NOV15		A	PRELIMINARY RELEASE
CR	24NOV15		B	ADDED MISSING FILLET DIMS
GFC	24MAY17	JW	C	ADDED HOLES



NOTES
1. A36 STEEL OR EQUIVALENT

UNLESS OTHERWISE NOTED DIMENSIONS ARE IN MILLIMETERS & TOLERANCES ARE AS FOLLOWS:
X: ±0.25mm XX: ±0.10 mm XXX: ±0.01 mm
ANGLES: ±0.5° FINISH: 3 MICRONS (µm)
BREAK ALL SHARP EDGES & CORNERS .25mm MAX

MATERIAL	FINISH
SEE NOTE 1	--

	DRAWN C. RATLIFF CHECKED J. WARD DESIGNED C. RATLIFF ENGINEER C. RATLIFF	PROJECT CODE K1D3DD NEXT ASSY KDM3000	DWG NO KDM3127	REV C 1
	PNEUMATIC-MOUNT.SLDPRT QUANTITY 1	TITLE PNEUMATIC ACTUATOR MOUNT 2	QUANTITY 1	REV C 1