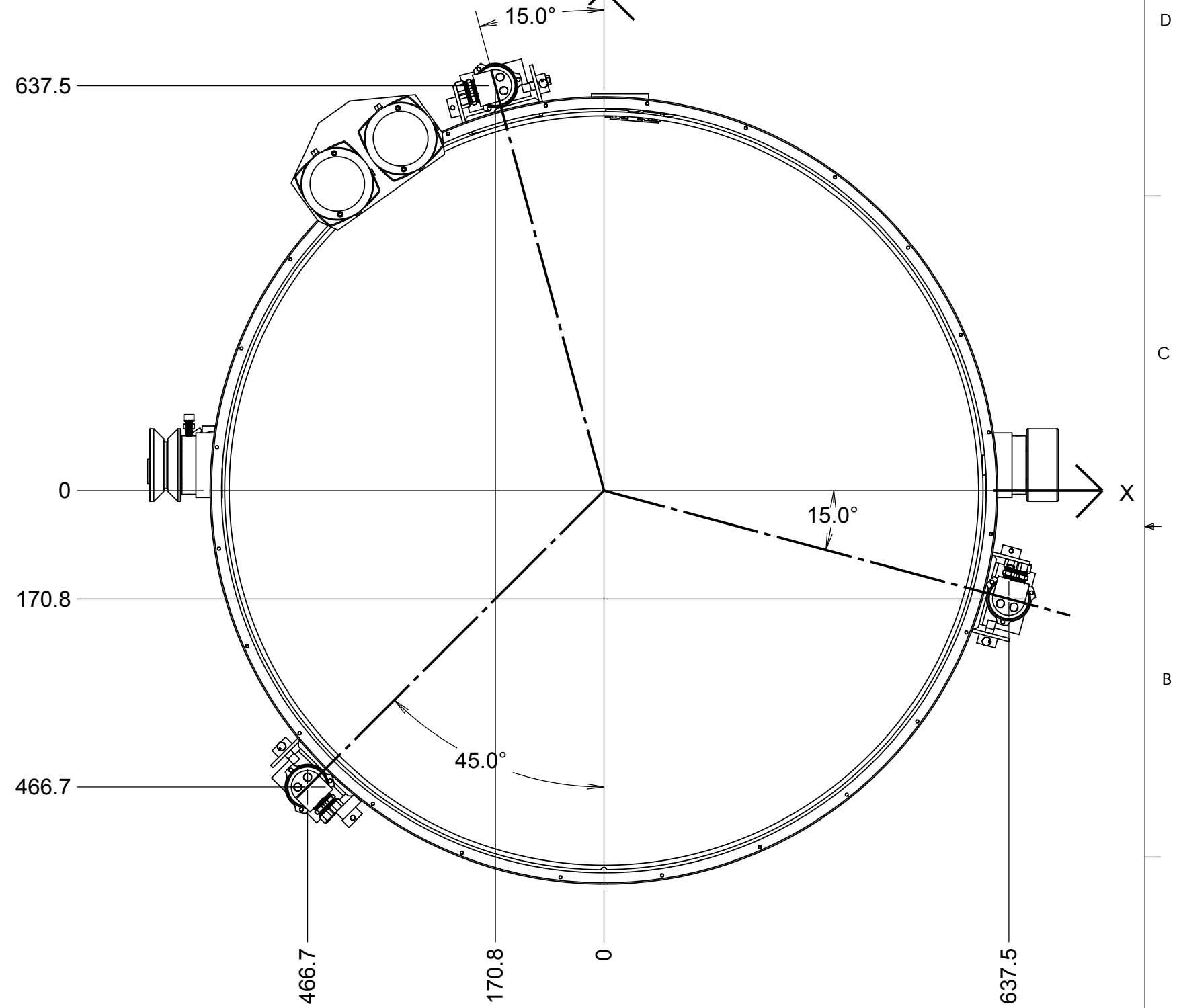
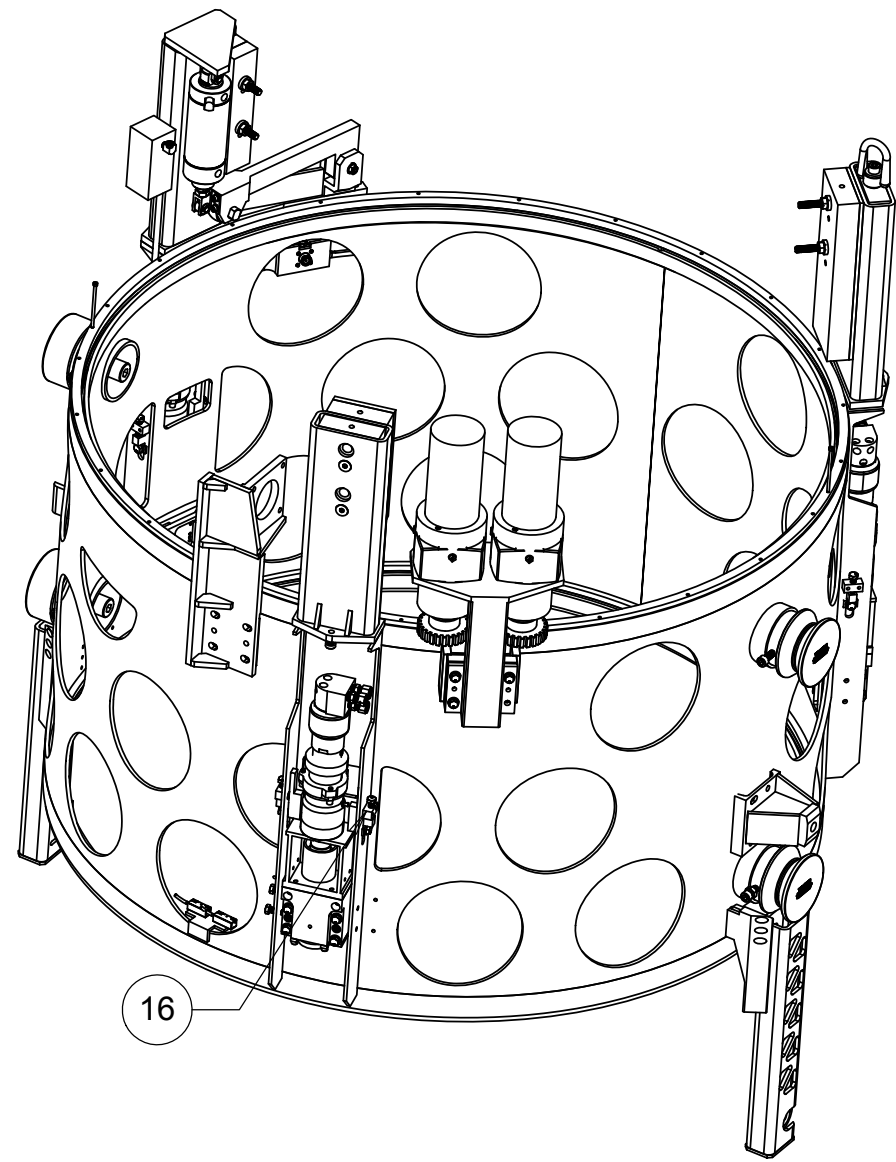


8 7 6 5 4 3 2 1

REVISIONS				
DRWN	DATE	CHK'D	REV	DESCRIPTION
YCR	22APR15		A	PRELIMINARY RELEASE

D
C
B
A



A

A

UNLESS OTHERWISE NOTED DIMENSIONS ARE IN MILLIMETERS & TOLERANCES ARE AS FOLLOWS:
 X: ±0.25mm X.X: ±0.10 mm X.XX: ±0.01 mm
 ANGLES: ±0.5° FINISH: 3 MICRONS (µm)
 BREAK ALL SHARP EDGES & CORNERS .25mm MAX



DRAWN: C. RATLIFF
 CHECKED:
 DESIGNED: CR
 ENGINEER: 10/17/15

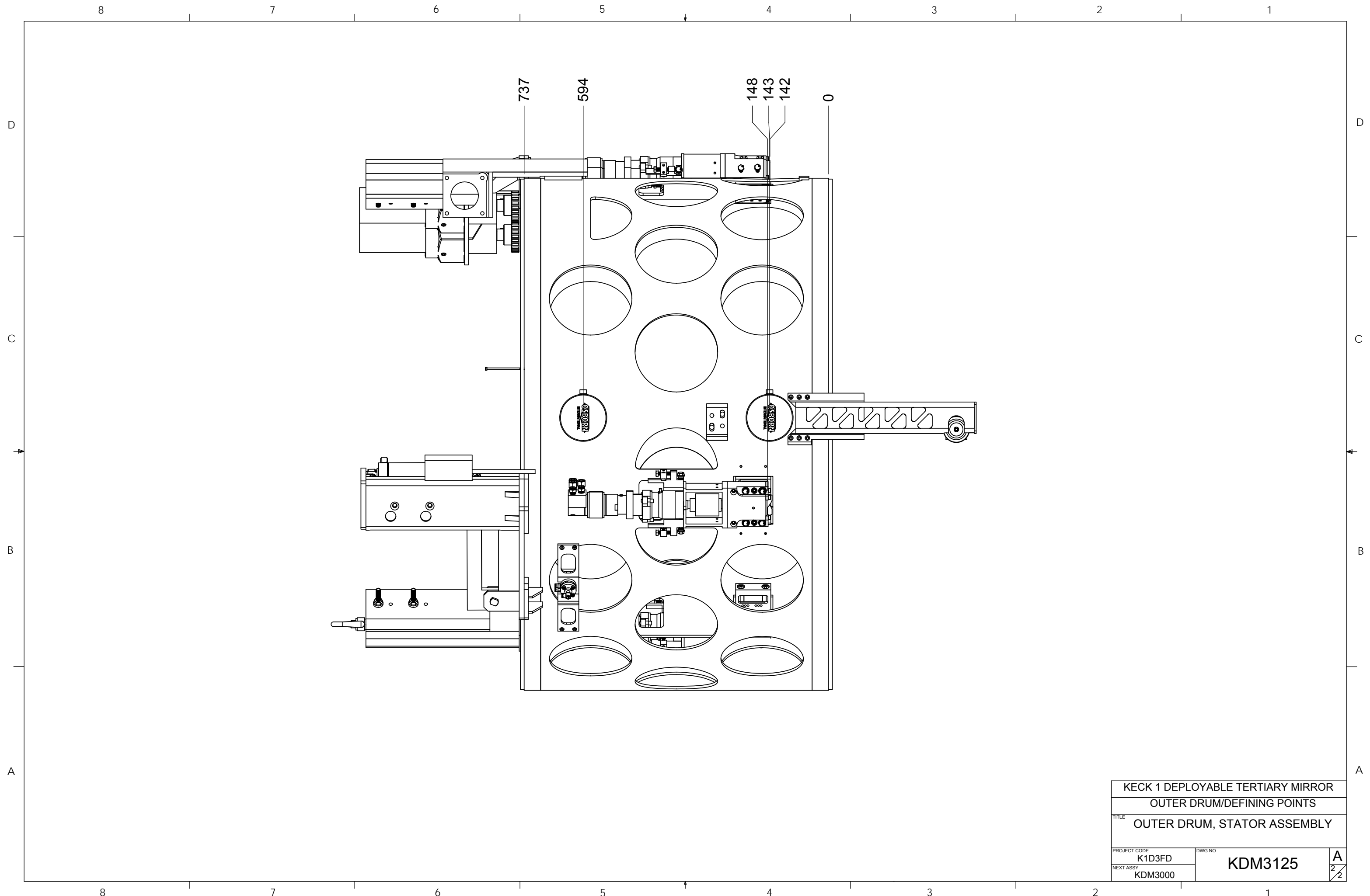
PROJECT CODE: K1D3FD
 DWG NO: KDM3125
 TITLE: OUTER DRUM, STATOR ASSEMBLY

MATERIAL: NA	FINISH: --
--------------	------------

SW DOCUMENT FILE: STATOR_OUTER_DRUM2.SLDASM	QUANTITY: 1
---	-------------

PROJECT CODE: K1D3FD	DWG NO: KDM3125	REV: A
NEXT ASSY: KDM3000		1/2

8 7 6 5 4 3 2 1



KECK 1 DEPLOYABLE TERTIARY MIRROR	
OUTER DRUM/DEFINING POINTS	
TITLE OUTER DRUM, STATOR ASSEMBLY	
PROJECT CODE K1D3FD	DWG NO KDM3125
NEXT ASSY KDM3000	A 2/2