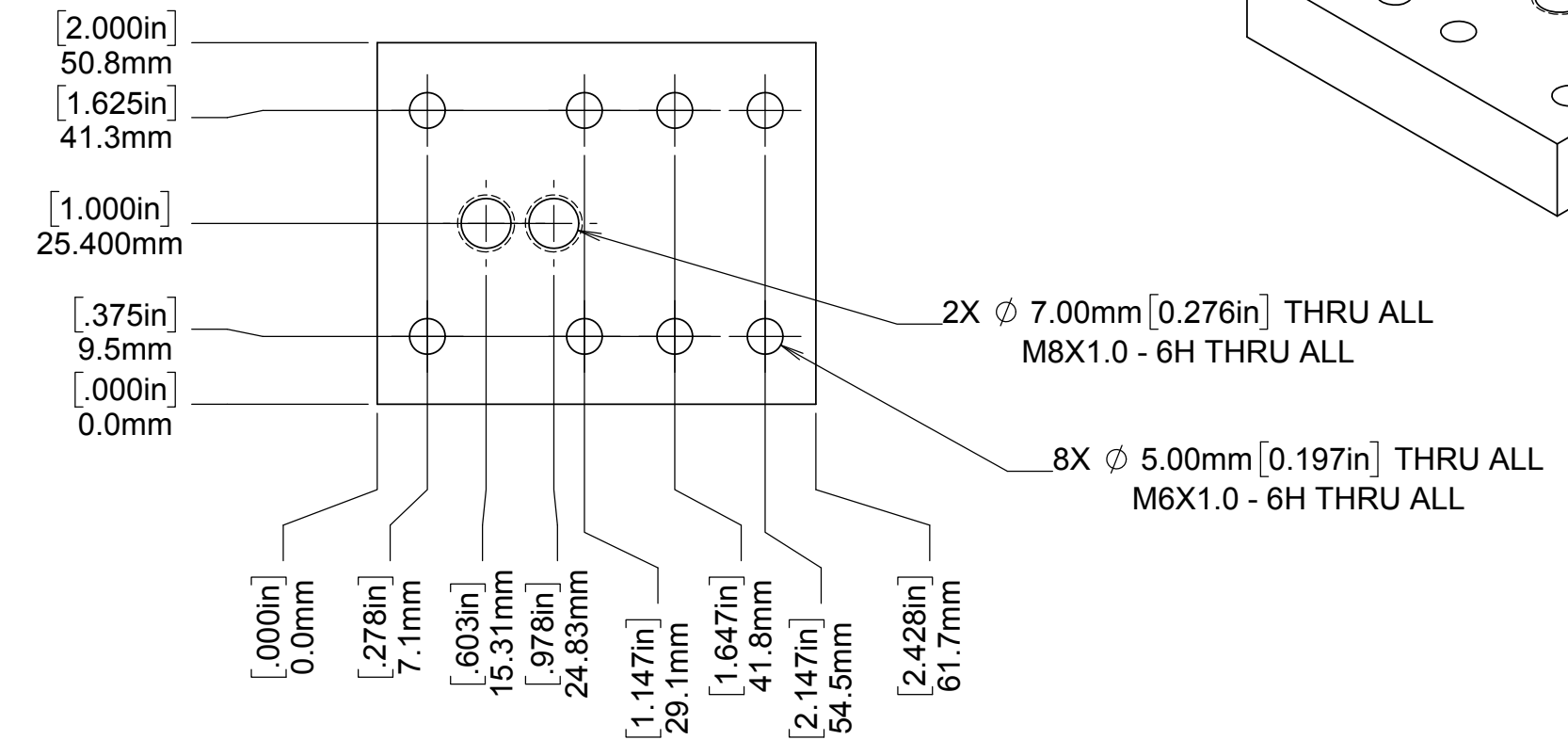
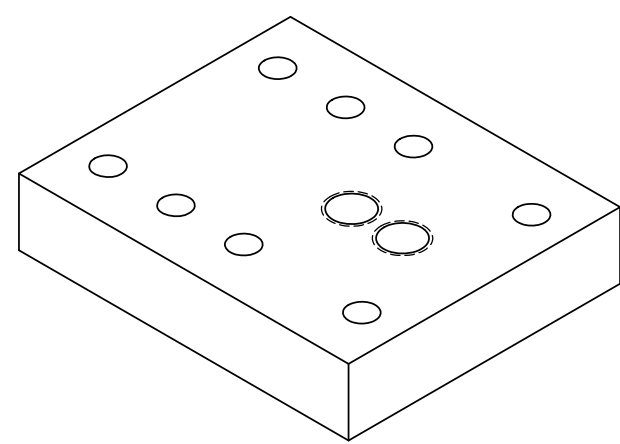
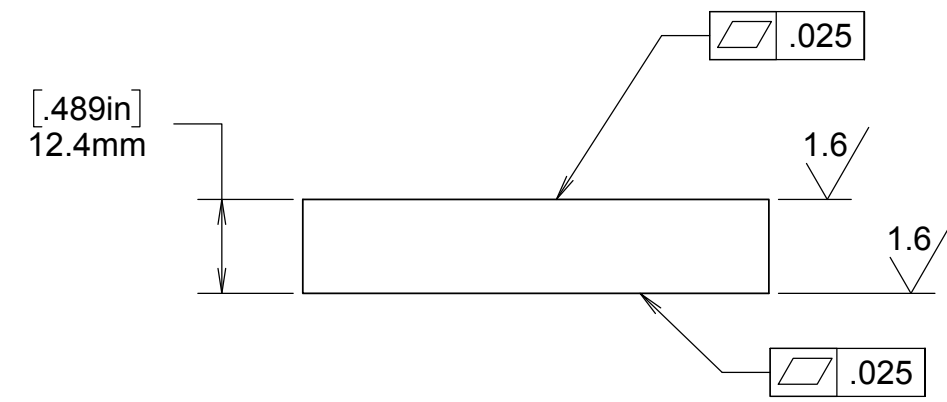


REVISIONS				
DRWN	DATE	CHK'D	REV	DESCRIPTION
CR	24SEP15		A	PRELIMINARY RELEASE
CR	13APR2017		B	ENLARGE WHEEL MOUNT HOLES



NOTES:
1. MATERIAL: AR400 CARBON STEEL OR GRADE 8 LOW CARBON STEEL OR SIMILAR STEEL

UNLESS OTHERWISE NOTED DIMENSIONS ARE IN MILLIMETERS & TOLERANCES ARE AS FOLLOWS: X.X: ± 0.10 mm X.XX: ± 0.01 mm ANGLES: $\pm 0.5^\circ$ FINISH: 3 MICRONS (μ m) BREAK ALL SHARP EDGES & CORNERS .25mm MAX			DRAWN C. RATLIFF	KECK 1 DEPLOYABLE TERTIARY MIRROR	
MATERIAL SEE NOTES			FINISH	CHECKED J. WARD	TBD
			DESIGNED C. RATLIFF	ENGINEER 9/24/15	TITLE WHEEL MOUNT, ANTI-TIP
			SW DOCUMENT FILE 872-LM3121	QUANTITY 2 EA	PROJECT CODE K1D3DD NEXT ASSY KDM3100
				DWG NO 872-LM3121	REV A 1