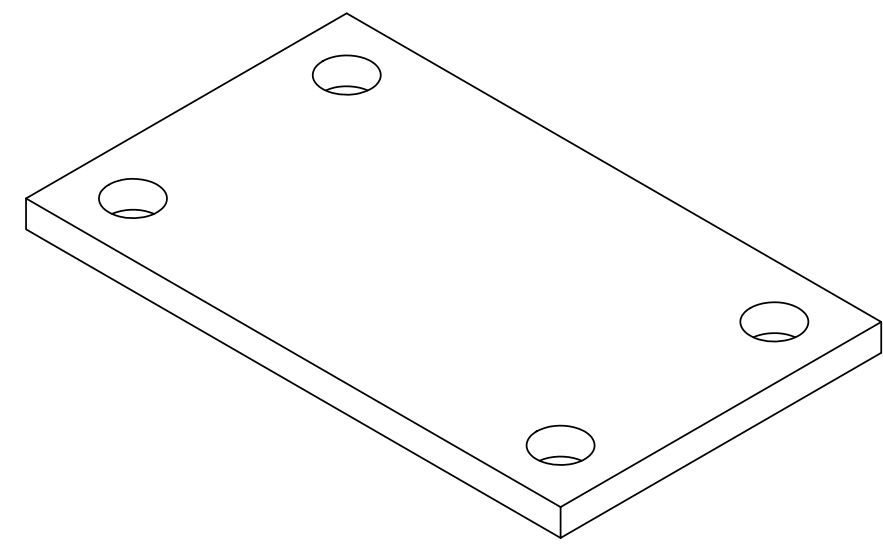
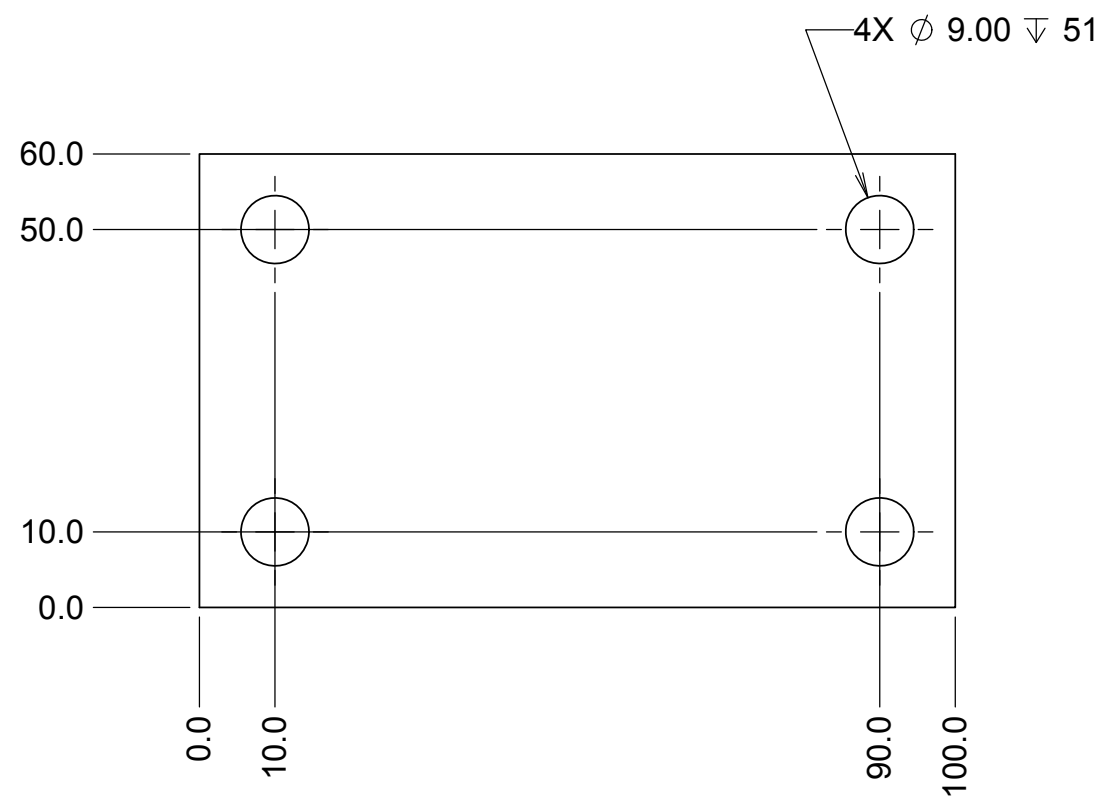
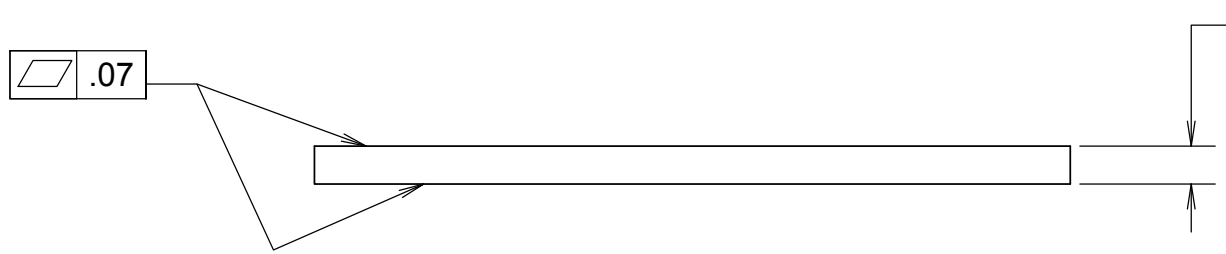


REVISIONS				
DRWN	DATE	CHK'D	REV	DESCRIPTION
CR	14SEP15		A	PRELIMINARY RELEASE



- NOTES:
- MATERIAL: 6061T6 ALUMINUM OR SIMILAR
  - 5MM THICK, QUANTITY 3
  - 3MM THICK, QUANTITY 3
  - 1MM THICK, QUANTITY 6

UNLESS OTHERWISE NOTED DIMENSIONS ARE IN MILLIMETERS & TOLERANCES ARE AS FOLLOWS: X: ±0.25mm X.X: ±0.20 mm X.XX: ±0.01 mm ANGLES: ±0.5° FINISH: 3 MICRONS (µm) BREAK ALL SHARP EDGES & CORNERS .25mm MAX			DRWN <b>C. RATLIFF</b>	KECK 1 DEPLOYABLE TERTIARY MIRROR	
MATERIAL SEE NOTES			FINISH NONE	CHECKED	K1DM3 STATOR
			DESIGNED <b>C. RATLIFF</b>	9/14/15	TITLE OUTER DRUM, RADIAL SHIMS
			ENGINEER	QUANTITY NOTES	PROJECT CODE K1D3DD
			SW DOCUMENT FILE 5MM SHIM_WASHER_PLA	TE	DWG NO KDM3100
					REV A 1/1
					DWG NO KDM3116