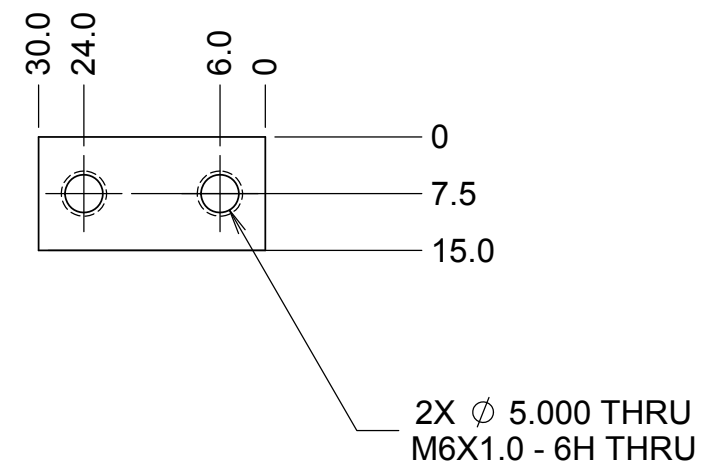
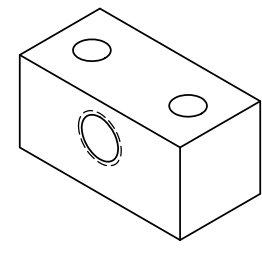
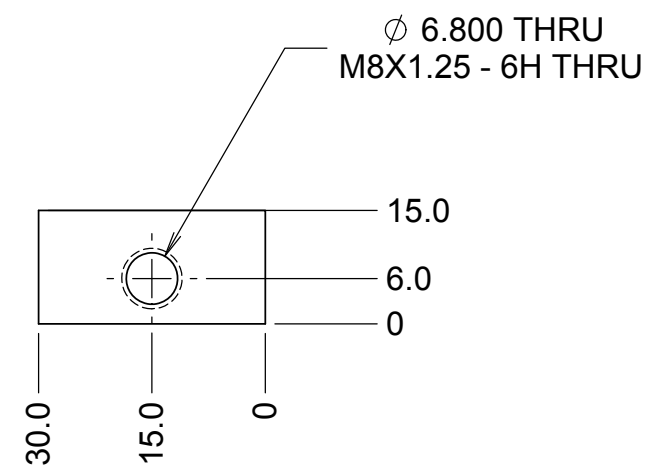


REVISIONS				
DRWN	DATE	CHK'D	REV	DESCRIPTION
CR	14SEP15		A	PRELIMINARY RELEASE



NOTES:
1. MATERIAL: FREE MACHINING STEEL OR SIMILAR

UNLESS OTHERWISE NOTED DIMENSIONS ARE IN MILLIMETERS & TOLERANCES ARE AS FOLLOWS: X: ±0.25mm X.X: ±0.20 mm X.XX: ±0.01 mm ANGLES: ±0.5° FINISH: 3 MICRONS (µm) BREAK ALL SHARP EDGES & CORNERS .25mm MAX			DRWN C. RATLIFF	KECK 1 DEPLOYABLE TERTIARY MIRROR		
SEE NOTES			FILE AXIAL_ADJUSTMEN T_BLOCK	QUANTITY 6 EA	PROJECT CODE K1D3DD NEXT ASSY KDM3100	DWG NO KDM3114
MATERIAL		FINISH NONE	DESIGNED C. RATLIFF	DATE 9/14/15	TITLE OUTER DRUM, JACKING SCREW MOUNT	REV A