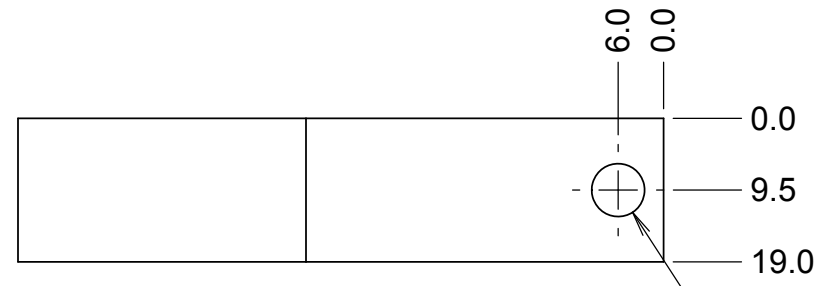
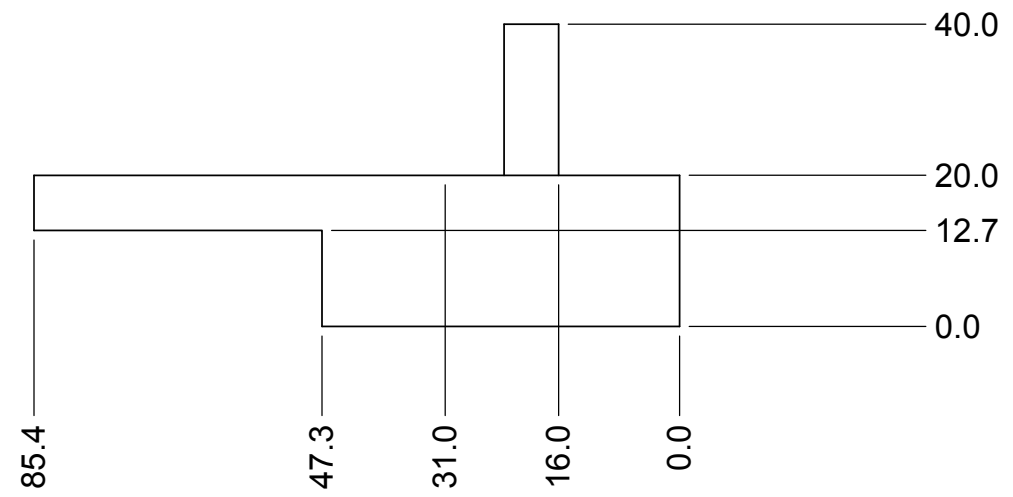
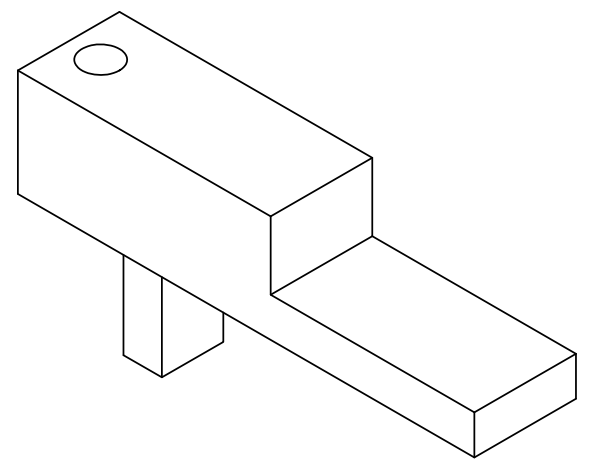
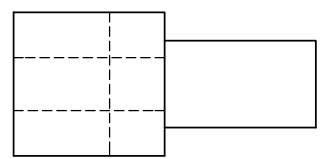


REVISIONS				
DRWN	DATE	CHK'D	REV	DESCRIPTION
CR	14SEP15		A	PRELIMINARY RELEASE
CR	4FEB16		B	WIDENED TO 19MM



Ø 7.00 THRU ALL  
M8X1.0 - 6H THRU ALL



NOTES:  
1. MATERIAL: FREE MACHINING STEEL OR SIMILAR

UNLESS OTHERWISE NOTED DIMENSIONS ARE IN MILLIMETERS & TOLERANCES ARE AS FOLLOWS: X: ±0.25mm X.X: ±0.20 mm X.XX: ±0.01 mm ANGLES: ±0.5° FINISH: 3 MICRONS (µm) BREAK ALL SHARP EDGES & CORNERS .25mm MAX			DRWN <b>C. RATLIFF</b>	KECK 1 DEPLOYABLE TERTIARY MIRROR	
MATERIAL SEE NOTES			FINISH NONE	CHECKED	K1DM3 STATOR
			DESIGNED <b>C. RATLIFF</b>	9/11/15	TITLE OUTER DRUM, Z ADJUSTOR
			ENGINEER	QUANTITY <b>6 EA</b>	PROJECT CODE K1D3DD
			SW DOCUMENT FILE DEFINING_POINT_Z_SLIDE	NEXT ASSY KDM3100	DWG NO <b>KDM3113</b>
					REV B 1