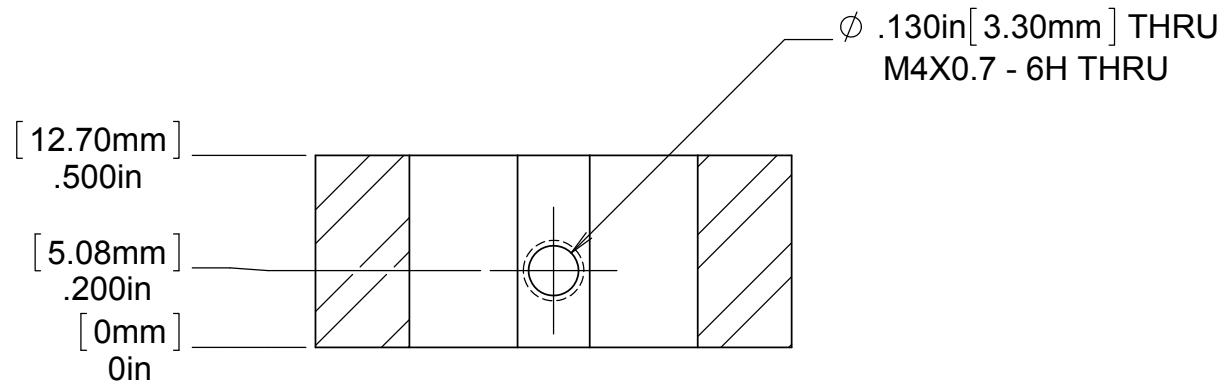
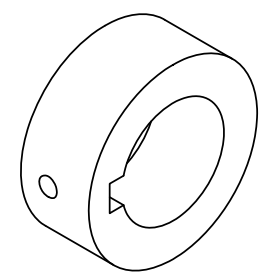
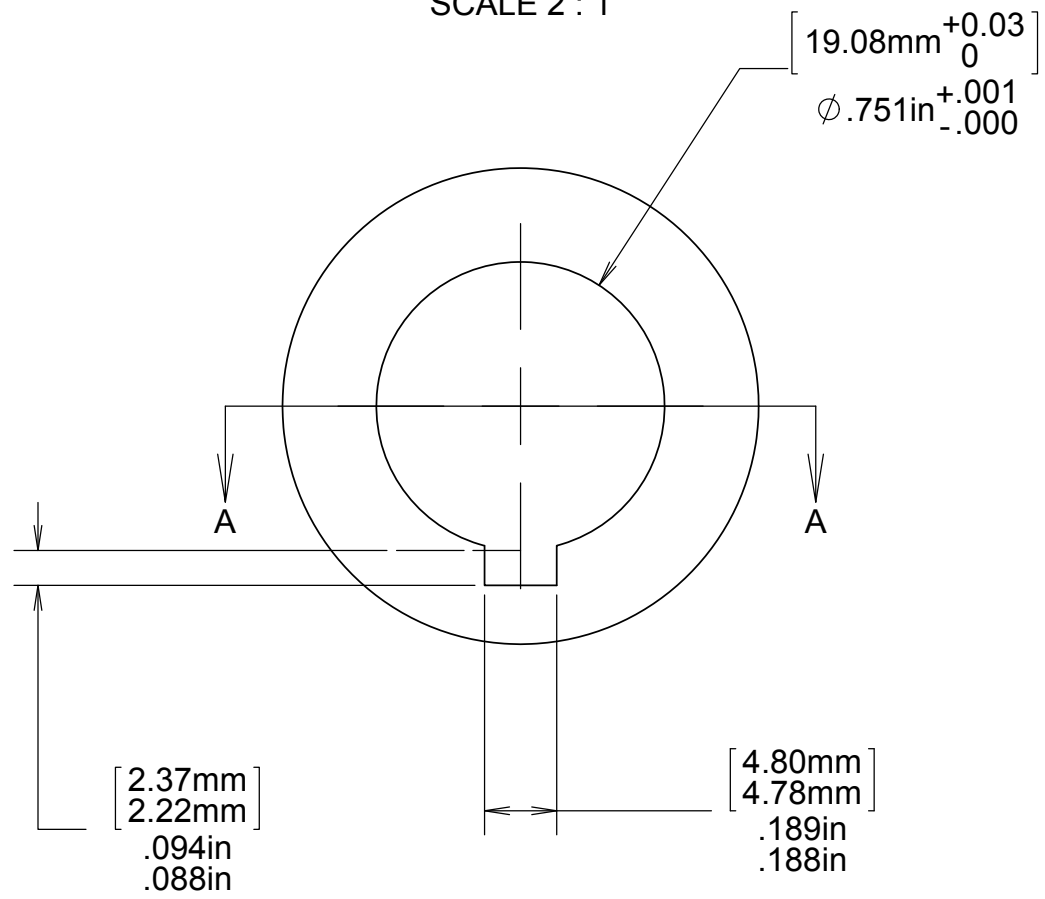


REVISIONS				
DRWN	DATE	CHK'D	REV	DESCRIPTION
CR	11SEP15		A	PRELIMINARY RELEASE



SECTION A-A
SCALE 2 : 1



NOTES:
1. MATERIAL: FREE MACHINING STEEL OR SIMILAR

UNLESS OTHERWISE NOTED DIMENSIONS ARE IN MILLIMETERS & TOLERANCES ARE AS FOLLOWS: X: ±0.25mm X.X: ±0.20 mm X.XX: ±0.01 mm ANGLES: ±0.5° FINISH: 3 MICRONS (µm) BREAK ALL SHARP EDGES & CORNERS .25mm MAX			DRAWN C. RATLIFF CHECKED	KECK 1 DEPLOYABLE TERTIARY MIRROR	
SEE NOTES	NONE		DESIGNED C. RATLIFF ENGINEER	9/11/15	K1DM3 STATOR TITLE GEAR COUPLING, SPACER A
			SW DOCUMENT FILE Spacer_Coupling_con tingA	QUANTITY 4 EA	PROJECT CODE K1D3DD NEXT ASSY KDM3100
				DWG NO KDM3111	REV A 1/1