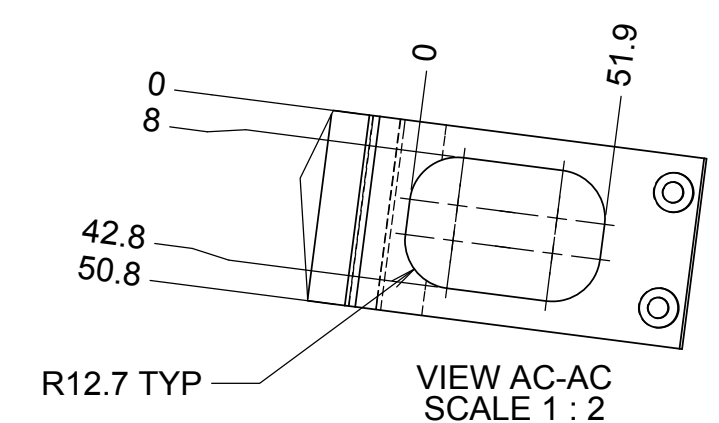
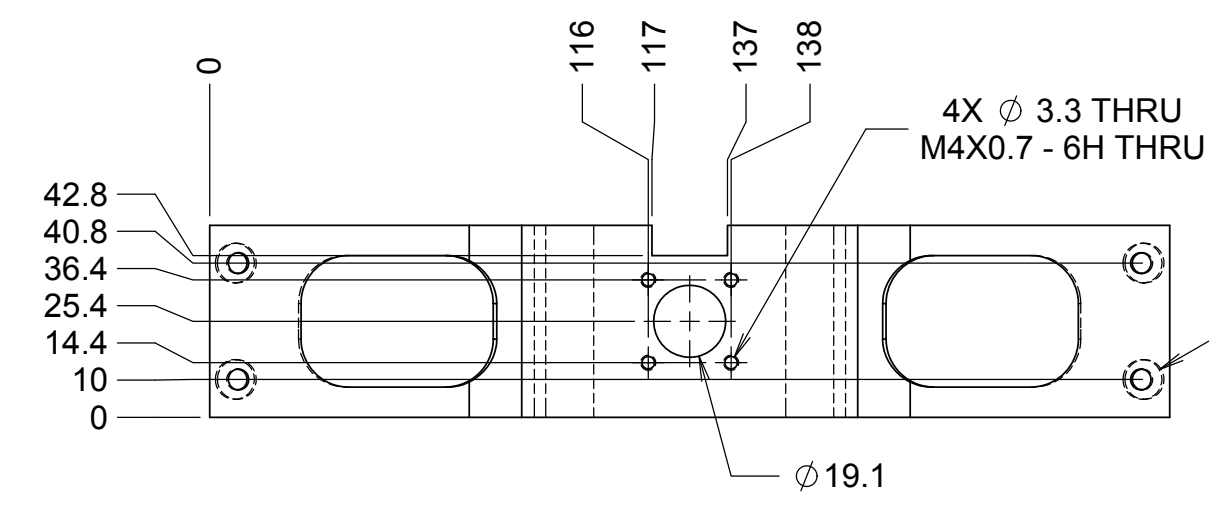
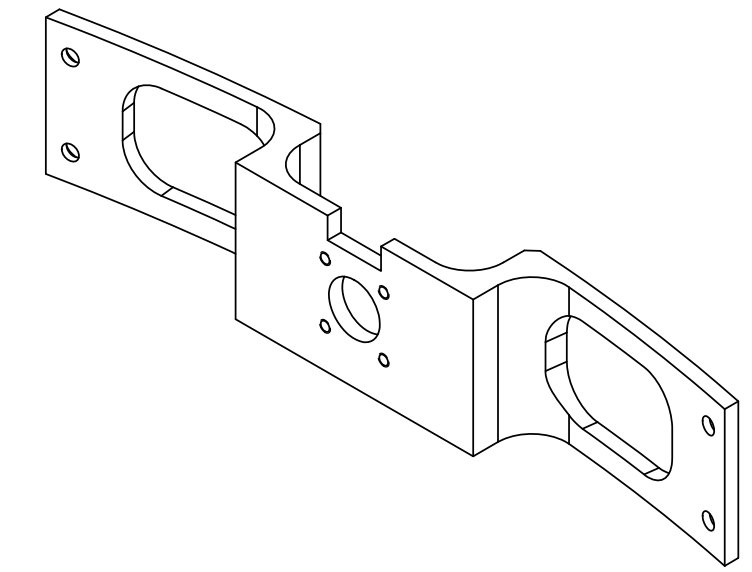
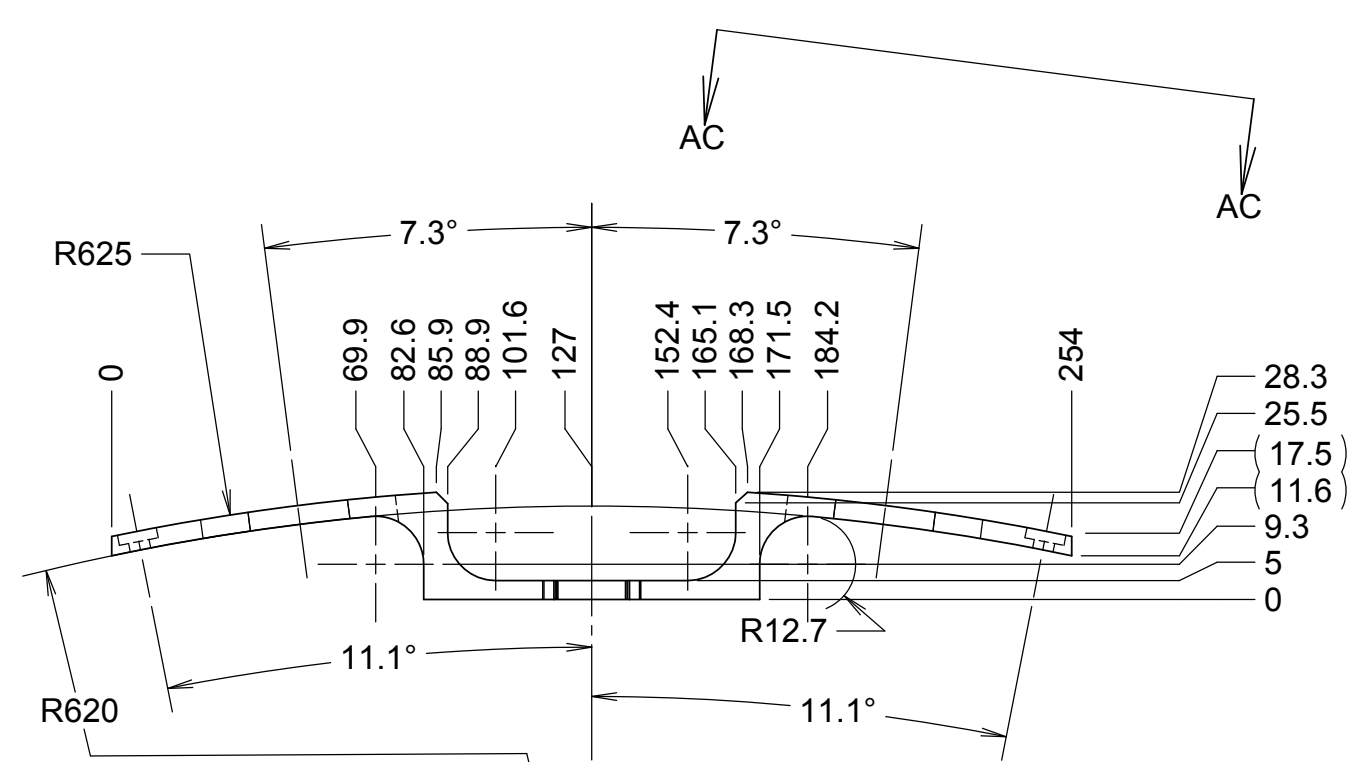


REVISIONS				
DRWN	DATE	CHK'D	REV	DESCRIPTION
CR	7AUG15		A	PRELIMINARY RELEASE

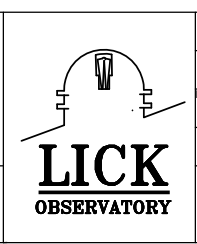


NOTES

1. A36 STEEL OR EQUIVALENT
- 2.

UNLESS OTHERWISE NOTED DIMENSIONS ARE IN MILLIMETERS & TOLERANCES ARE AS FOLLOWS:
 X: ±0.25mm X.X: ±0.10 mm X.XX: ±0.01 mm
 ANGLES: ±0.5° FINISH: 3 MICRONS (µm)
 BREAK ALL SHARP EDGES & CORNERS .25mm MAX

MATERIAL	FINISH
SEE NOTE 1	--



DRAWN C. RATLIFF		KECK 1 DEPLOYABLE TERTIARY MIRROR	
CHECKED J. WARD		STATOR OUTER DRUM	
DESIGNED C. RATLIFF	8/10/15	TITLE PNEUMATIC ACTUATOR MOUNT	
ENGINEER C. RATLIFF	QUANTITY 1	PROJECT CODE K1D3DD	DWG NO KDM3108
SW DOCUMENT FILE PNEUMATIC-MOUNT.SLDPRT		NEXT ASSY KDM3000	REV A