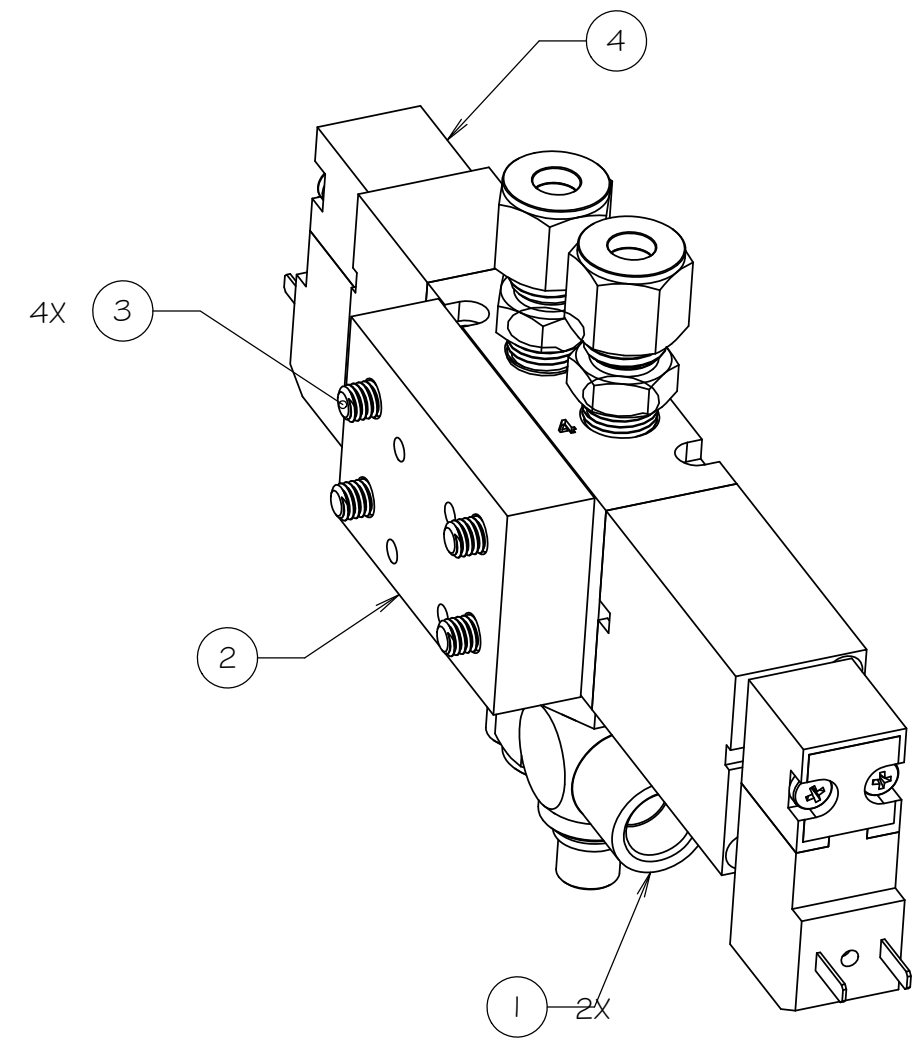
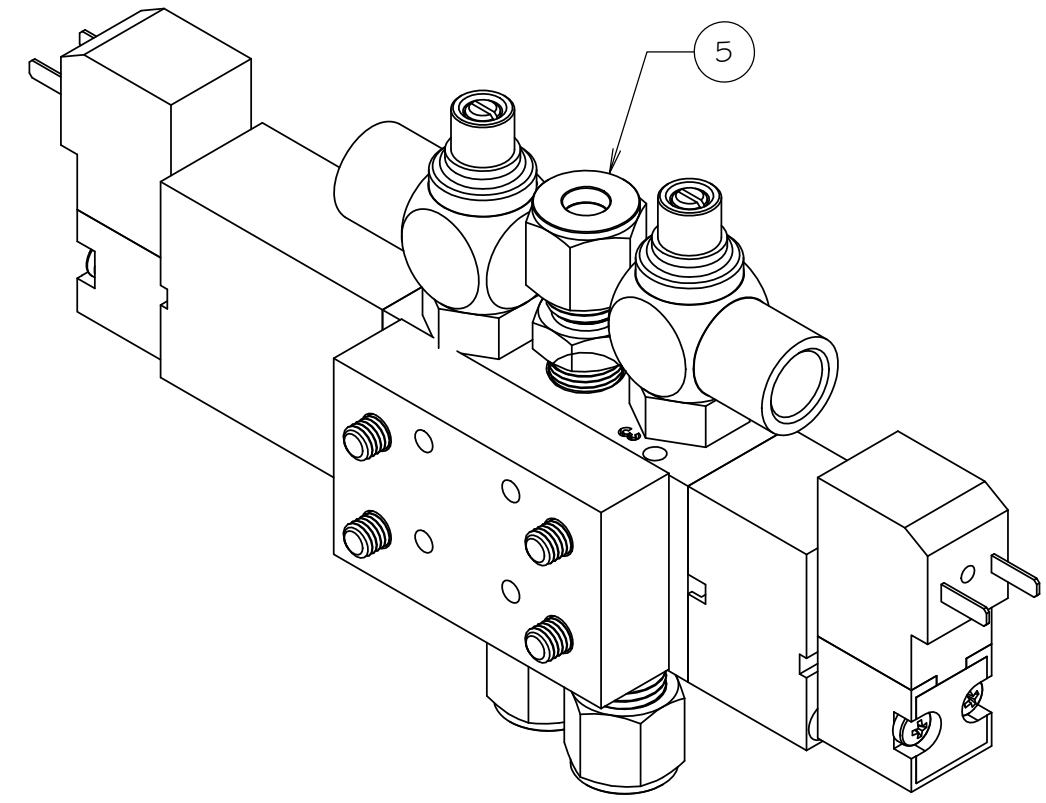


8 7 6 5 4 3 2 1

REVISIONS				
DRWN	DATE	CHK'D	REV	DESCRIPTION
CR	22APR 15		A	PRELIMINARY RELEASE

D  
C  
B  
A



ITEM NO.	PART NUMBER	DESCRIPTION	QTY.
1	FCP2 2 03	FLOW CONTROL VALVE	2
2	Solenoid Mount		1
3	91290A224		4
4	s22v4c-ds-24-01	SOLENOID VALVE, 4 WAY, PNEUMADYNE	1
5	5182K807		3

<small>UNLESS OTHERWISE NOTED DIMENSIONS ARE IN MILLIMETERS * TOLERANCES ARE AS FOLLOWS:                  X: ±0.25mm X.X: ±0.10 mm X.XX: ±0.01 mm                  ANGLES: ±0.5° FINISH: 3 MICRONS (µm)                  BREAK ALL SHARP EDGES * CORNERS .25mm MAX</small>			DRAWN K. HE CHECKED DESIGNED CR ENGINEER	KECK I DEPLOYABLE TERTIARY MIRROR INNER DRUM/DEFINING POINTS TITLE SOLENOID ASSEMBLY FOR KINEMATIC CLAMP	
MATERIAL n/a FINISH --	SW DOCUMENT FILE Destaco Clamp_Solenoid_Assembly.SLDASM QUANTITY 1		PROJECT CODE K1D3FD NEXT ASSY KDM3000	DWG NO KDM3107 REV A 1/1	

8 7 6 5 4 3 2 1