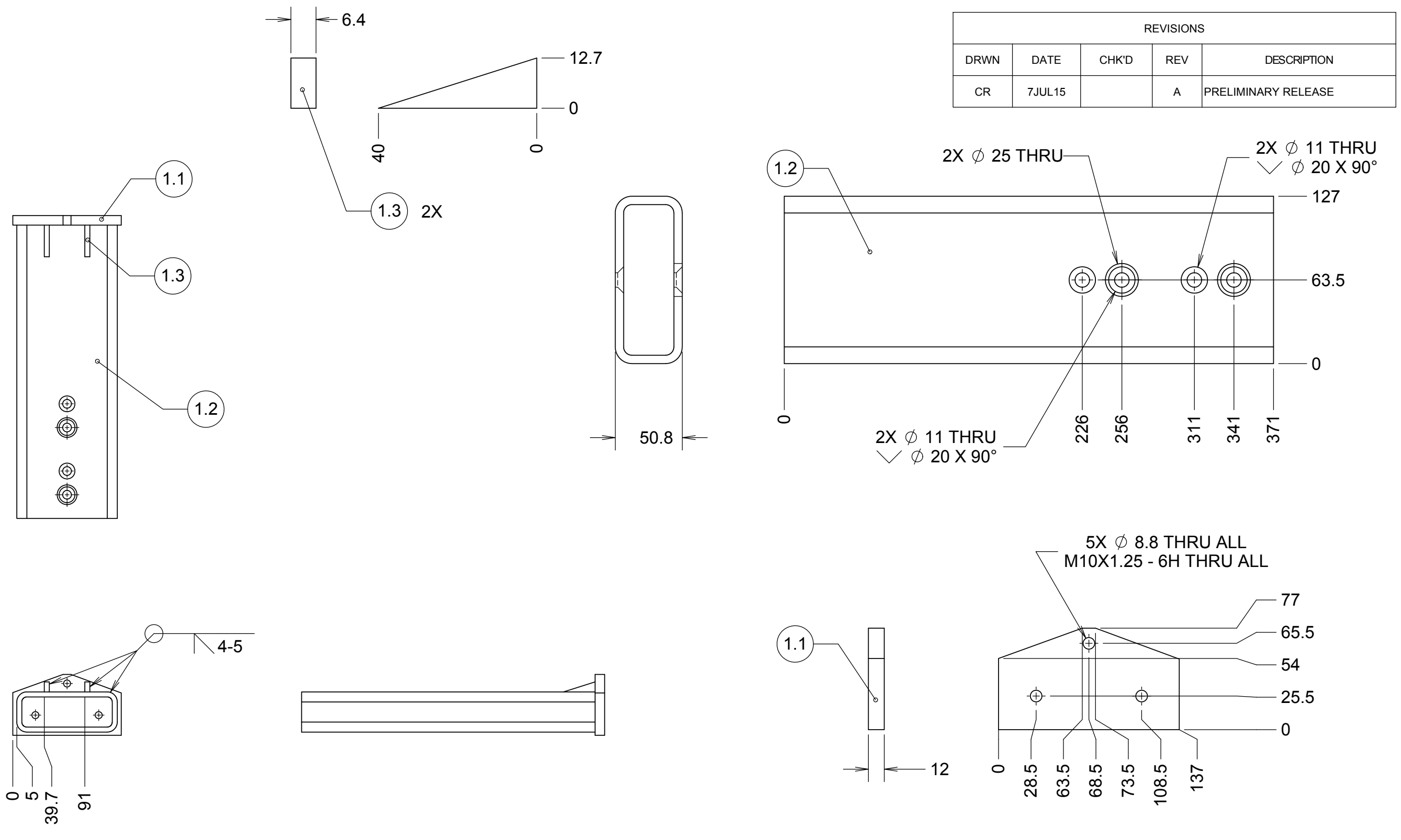


8 7 6 5 4 3 2 1

D
C
B
A

REVISIONS				
DRWN	DATE	CHK'D	REV	DESCRIPTION
CR	7JUL15		A	PRELIMINARY RELEASE



- NOTES**
1. ASTM A 36 OR SIMILAR
 2. 4-5mm FILLET WELD AT ALL JOINTS

UNLESS OTHERWISE NOTED DIMENSIONS ARE IN MILLIMETERS & TOLERANCES ARE AS FOLLOWS: X: ±0.25mm X.X: ±0.10 mm X.XX: ±0.01 mm ANGLES: ±0.5° FINISH: 3 MICRONS (µm) BREAK ALL SHARP EDGES & CORNERS .25mm MAX			DRAWN C. RATLIFF	KECK 1 DEPLOYABLE TERTIARY MIRROR	
MATERIAL SEE NOTE 1			CHECKED J. WARD	STATOR OUTER DRUM	
FINISH --		DESIGNED C. RATLIFF	7/6/15	TITLE COUNTER WEIGHT MOUNT	
		ENGINEER C. RATLIFF	QUANTITY 2	PROJECT CODE K1D3DD	DWG NO KDM3103
		SW DOCUMENT FILE Weight_Bracket.SLD ASM	NEXT ASSY KDM3000	REV A	1

8 7 6 5 4 3 2 1