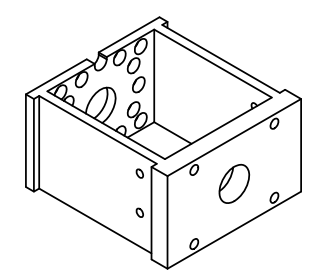
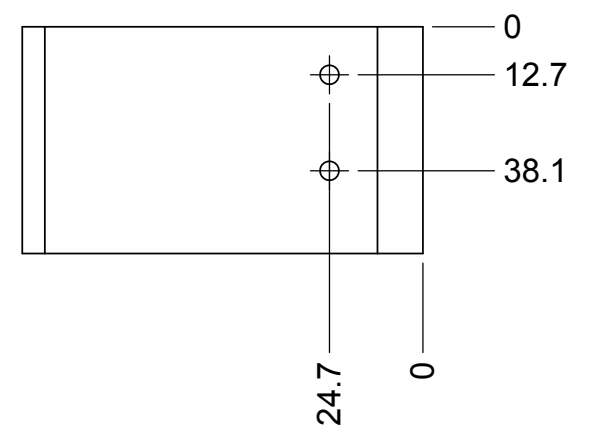
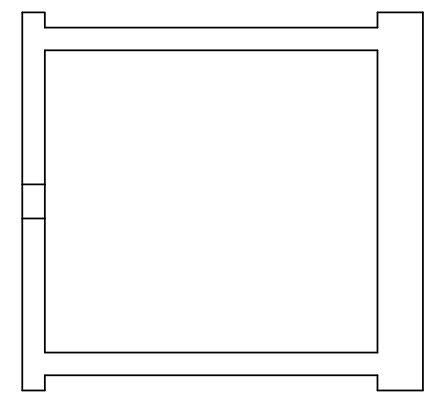
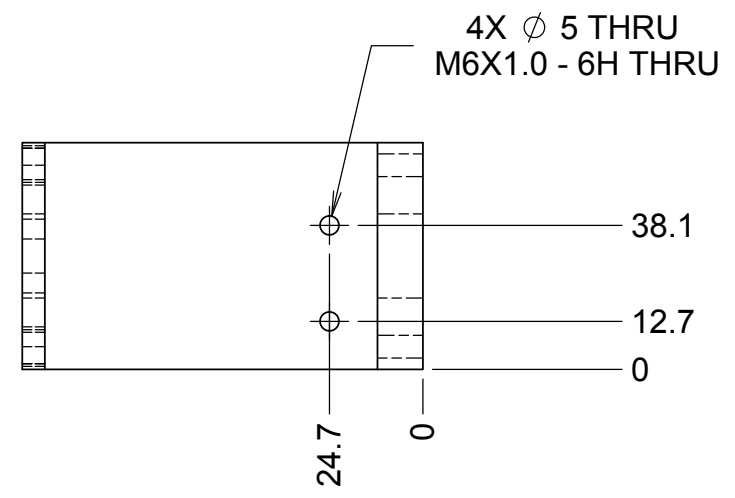
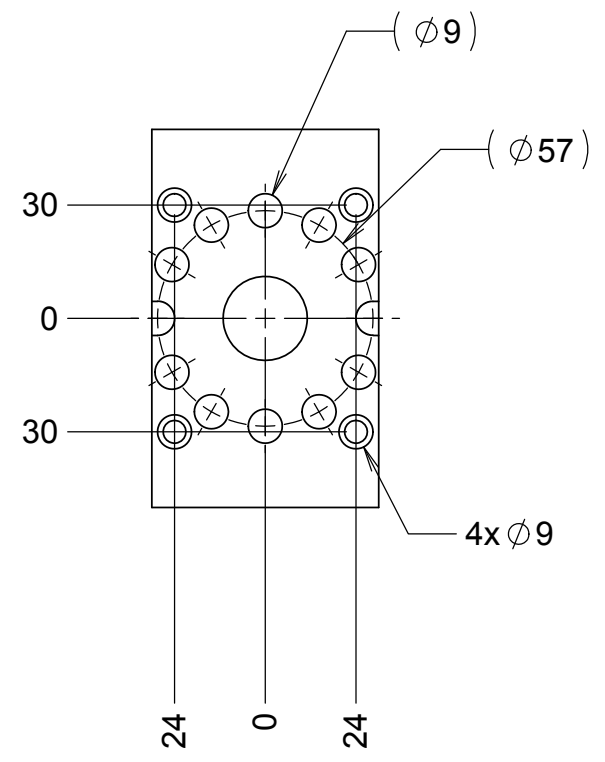


8 7 6 5 4 3 2 1

REVISIONS				
DRWN	DATE	CHK'D	REV	DESCRIPTION
CR	3JUN15		A	PRELIMINARY RELEASE
CR	4FEB16		B	ADDED 4X 9MM HOLES

D  
C  
B  
A

D  
C  
B  
A



NOTES:  
1. DRAWING ONLY FOR MODIFICATION OF ORIGINAL PART 199-06-04

UNLESS OTHERWISE NOTED DIMENSIONS ARE IN MILLIMETERS & TOLERANCES ARE AS FOLLOWS: X: ±0.25mm X.X: ±0.20 mm X.XX: ±0.01 mm ANGLES: ±0.5° FINISH: 3 MICRONS (µm) BREAK ALL SHARP EDGES & CORNERS .25mm MAX			DRAWN <b>C. RATLIFF</b>	KECK 1 DEPLOYABLE TERTIARY MIRROR		
MATERIAL: NA FINISH: NONE			CHECKED	K1DM3 STATOR		
			DESIGNED <b>C. RATLIFF</b>	6/3/15	TITLE DEFINING POINT MODIFICATIONS	
			ENGINEER	3 EA	PROJECT CODE K1D3DD	DWG NO KDM3102
			SW DOCUMENT FILE Defining Point Air Motor Mount	QUANTITY 3 EA	NEXT ASSY KDM3100	REV B 1

8 7 6 5 4 3 2 1