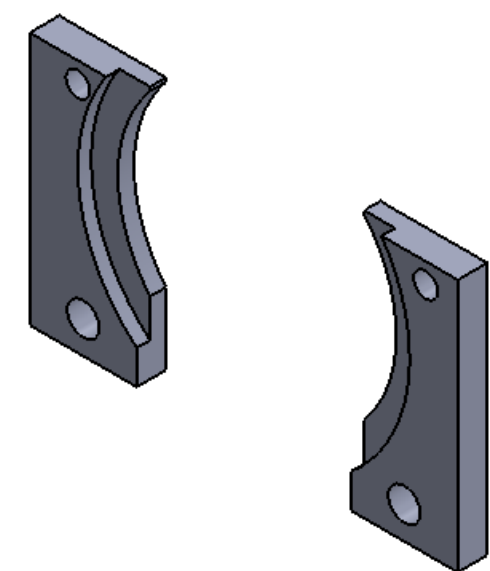
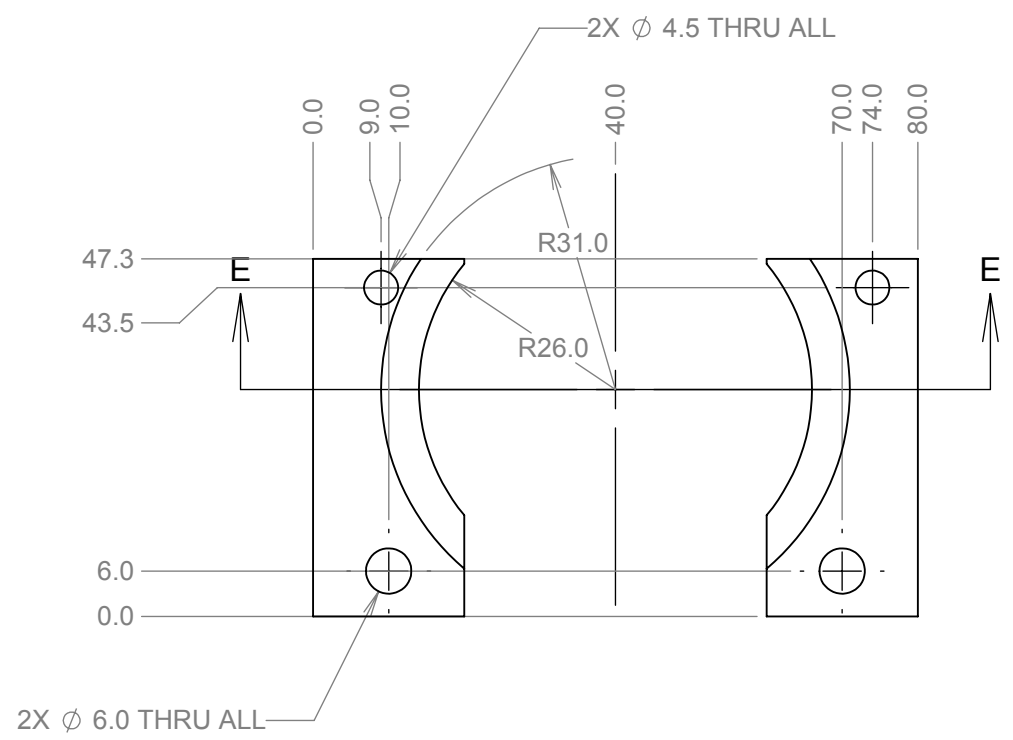



REVISIONS				
REV	DATE	DRWN	CHK'D	DESCRIPTION
A	5MAR2015	CR		INITIAL RELEASE



NOTES:
1. MATERIAL: AISI 4130 STEEL

UNLESS OTHERWISE NOTED DIMENSIONS ARE IN MILLIMETERS & TOLERANCES ARE AS FOLLOWS: X: ± 0.25 mm X.X: ± 0.10 mm X.XX: ± 0.01 mm			DRAWN RATLIFF	5MAR2015	KECK 1 DEPLOYABLE TERTIARY MIRROR	
ANGLES: $\pm 0.5^\circ$ FINISH: 3 MICRONS (μ m) BREAK ALL SHARP EDGES & CORNERS .25mm			CHECKED --	DESIGNED CR/JW	ENGINEER --	OUTER DRUM ASSEMBLY
MATERIAL SEE NOTES		MAX FINISH NA	SW DOCUMENT FILE Socket_retainerB.SLD PRT	QUANTITY 3 pairs	PROJECT CODE --	DWG NO KDM3002
				NEXT ASSY NEXT ASSY		REV A 1/1