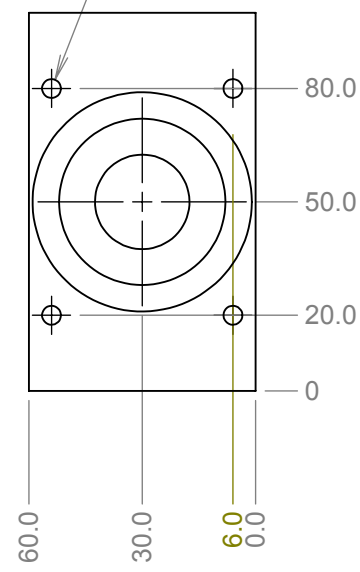
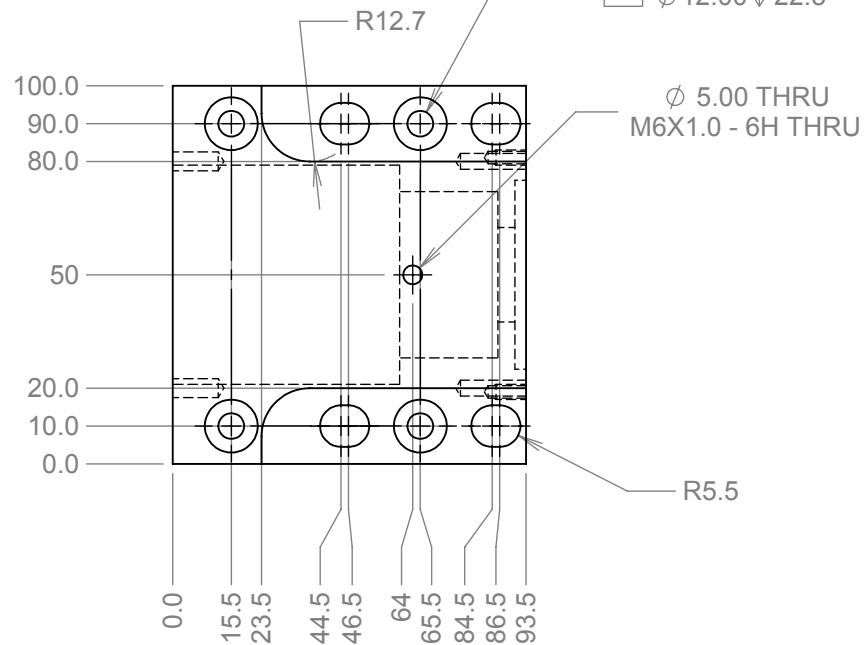


REVISIONS				
REV	DATE	DRWN	CHK'D	DESCRIPTION
A	18FEB2015	CR		INITIAL RELEASE
B	2Mar2015			M8 for jacking screws

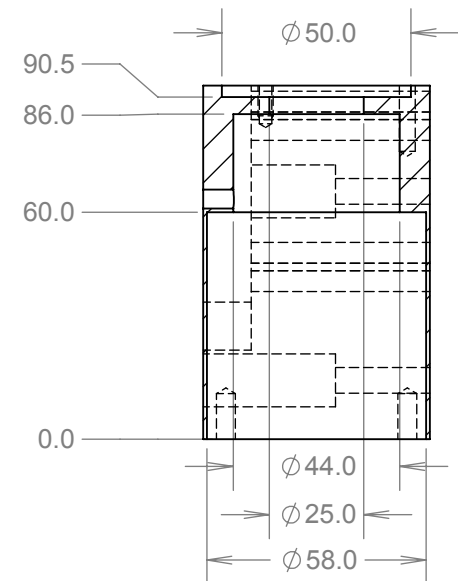
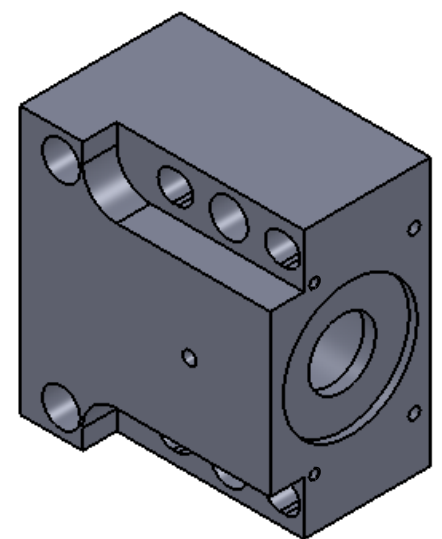
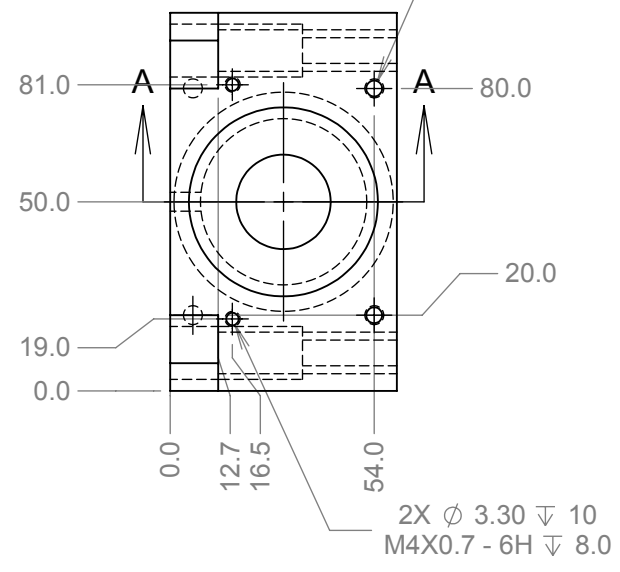
4X ϕ 5.00 ∇ 12.0
M6X1.0 - 6H ∇ 10



4X ϕ 6.80 THRU ALL
M8X1.25 - 6H THRU ALL
 ∇ ϕ 12.00 ∇ 22.3



2X ϕ 4.2 ∇ 17.4
M5X0.8 - 6H ∇ 10



SECTION A-A

NOTES:

- MATERIAL: AISI 4130 STEEL HARDENED BHN 320-350, CHROME PLATE PER FED SPEC QQ-C-320 TYPE 1 CLASS 2

UNLESS OTHERWISE NOTED DIMENSIONS ARE IN MILLIMETERS & TOLERANCES ARE AS FOLLOWS: X: \pm 0.25mm X.X: \pm 0.10 mm X.XX: \pm 0.01 mm		DRAWN: RATLIFF 9FEB2015		KECK 1 DEPLOYABLE TERTIARY MIRROR	
ANGLES: \pm 0.5° FINISH: 3 MICRONS (μ m) BREAK ALL SHARP EDGES & CORNERS .25mm MAX FINISH		CHECKED: -- --		OUTER DRUM ASSEMBLY	
MATERIAL: SEE NOTES NA		DESIGNED: CR/JW --		TITLE: DEFINING POINT KINEMATIC HOUSING	
		ENGINEER: -- --		PROJECT CODE: -- DWG NO: KDM3001	
		SW DOCUMENT FILE: New_4011B.SLDPRT		QUANTITY: 3	
				NEXT ASSY: --	
				REV: B 1/1	

