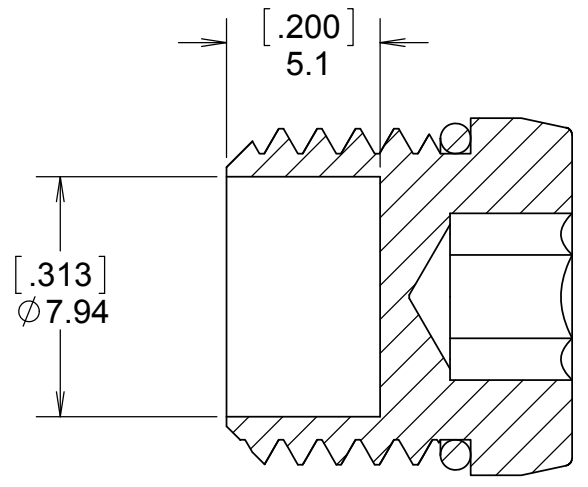
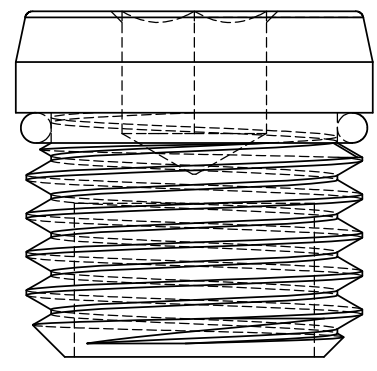
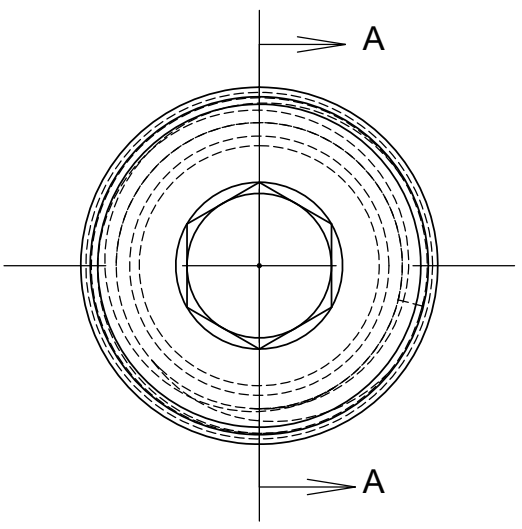


8 7 6 5 4 3 2 1

REVISIONS				
DRWN	DATE	CHK'D	REV	DESCRIPTION
CR	3DEC15		A	PRELIMINARY RELEASE



SECTION A-A  
SCALE 4 : 1

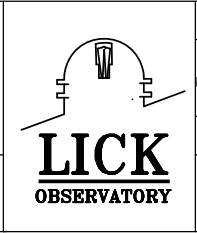


**NOTES**

- USE MCMASTER CARR P/N 4835K430 AND MODIFY TO ADD COUNTERBORE AS SHOWN

UNLESS OTHERWISE NOTED DIMENSIONS ARE IN MILLIMETERS & TOLERANCES ARE AS FOLLOWS:  
 X.X: ±0.10 mm X.XX: ±0.01 mm  
 ANGLES: ±0.5° FINISH: 3 MICRONS (µm)  
 BREAK ALL SHARP EDGES & CORNERS .25mm MAX

MATERIAL	FINISH
SEE NOTE 1	--



DRAWN	C. RATLIFF	
CHECKED	J. WARD	
DESIGNED	C. RATLIFF	12/3/15
ENGINEER	C. RATLIFF	12/3/15
SW DOCUMENT FILE	mc_ORING_PLUG_4_375.MODDED.SLDPRT	2

KECK 1 DEPLOYABLE TERTIARY MIRROR	
STATOR OUTER DRUM	
TITLE PLUG WITH SPRING C-BORE	
PROJECT CODE K1D3DD	DWG NO KDM2102
REV A	1/1

8 7 6 5 4 3 2 1