

8

7

6

5

4

3

2

1

REVISIONS				
REV	DATE	DRWN	CHK'D	DESCRIPTION
A	11JUN15	GFC	JN	INITIAL RELEASE

D

D

C

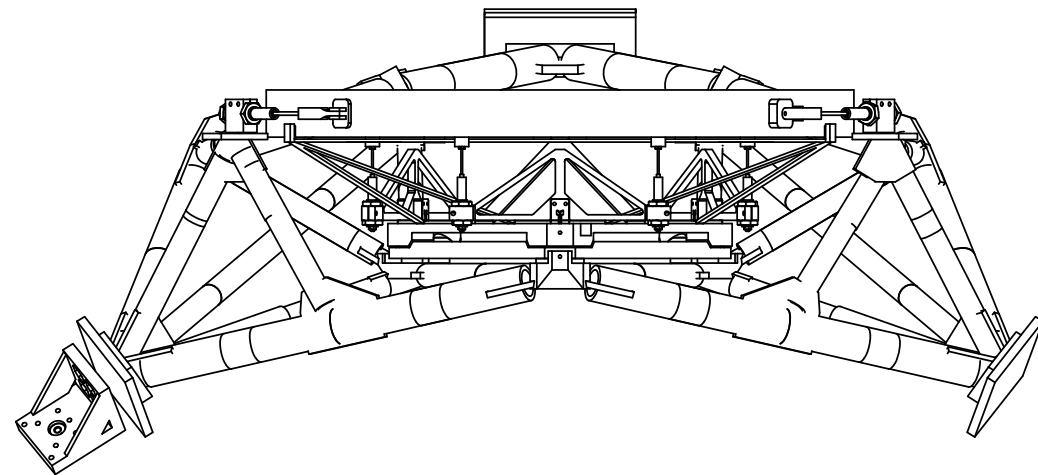
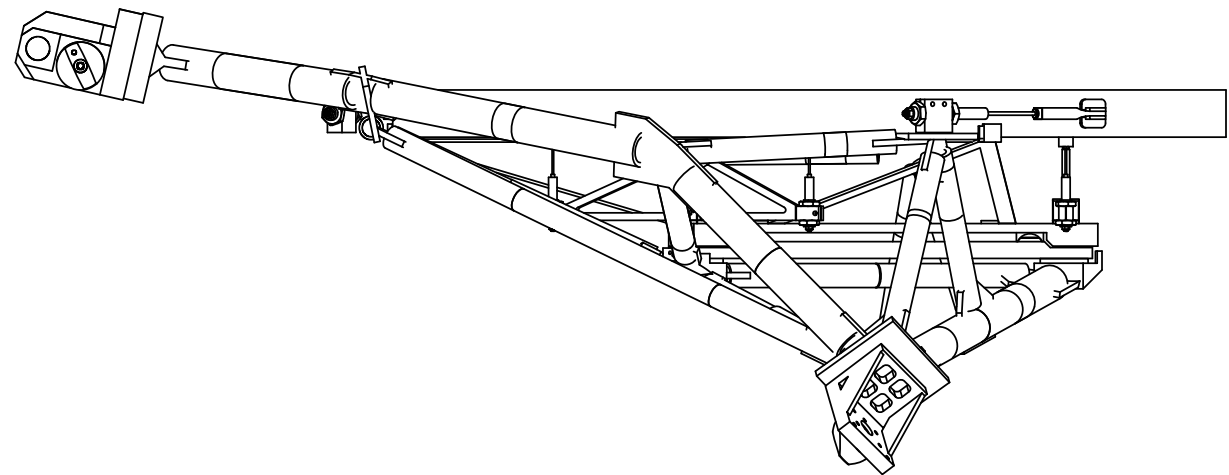
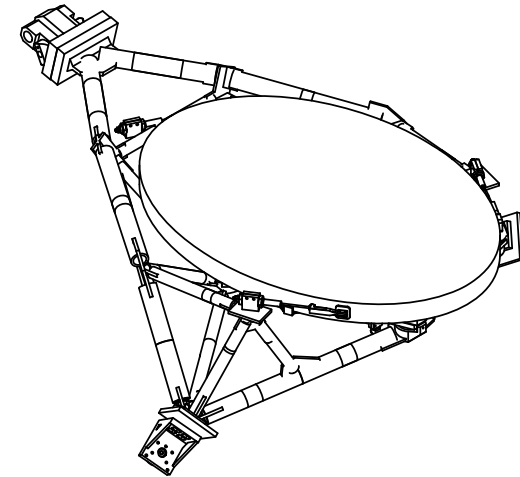
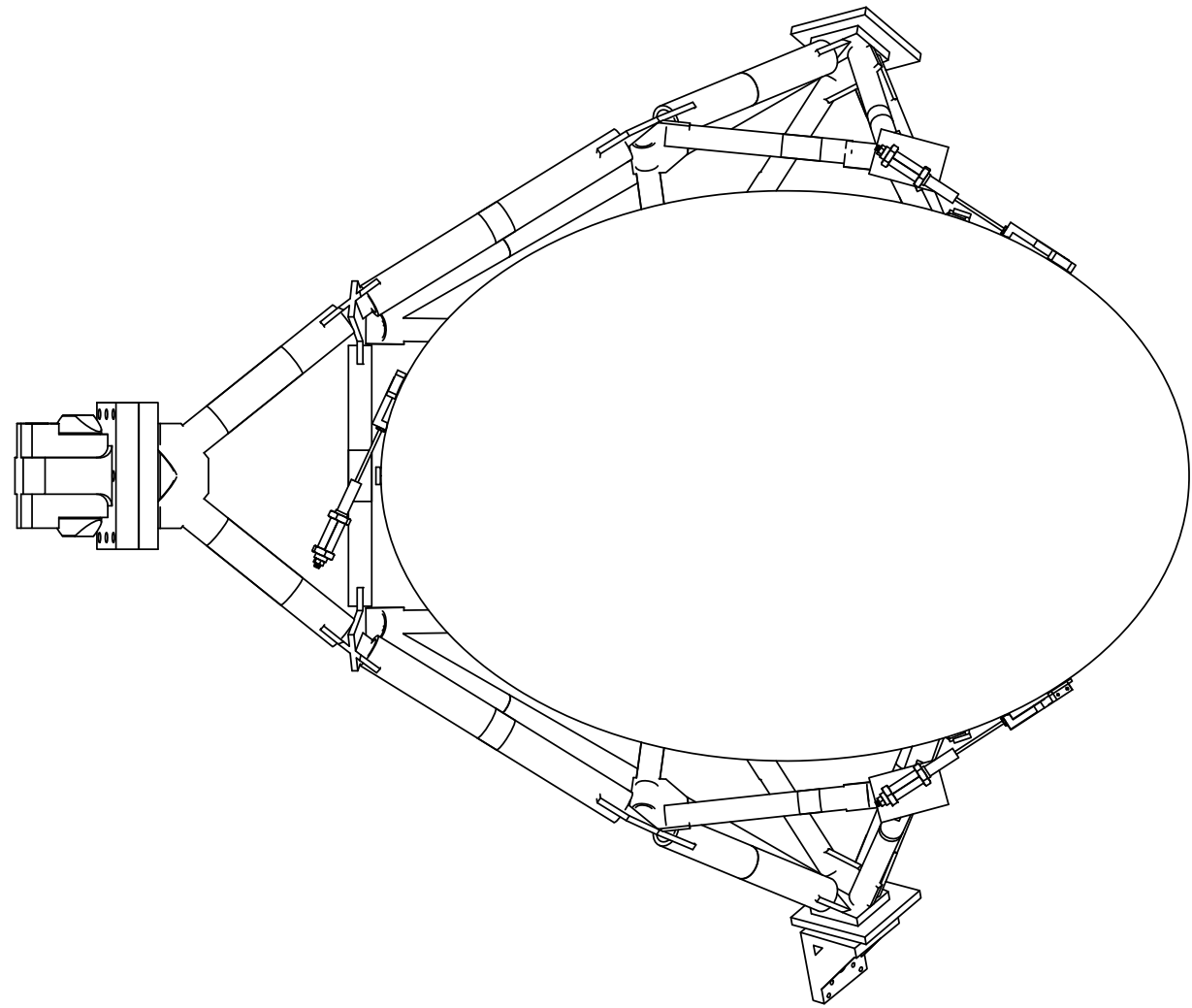
C

B

B

A

A



UNLESS OTHERWISE NOTED DIMENSIONS ARE IN INCHES & TOLERANCES ARE AS FOLLOWS		DRAWN		--		KECK 1 DEPLOYABLE TERTIARY MIRROR	
X.X: ±0.1000"		X.XX: ±0.0100"		--		PRELIMINARY SKETCHES & GENERAL LAYOUTS	
X.XXX: ±0.0050"		X.XXXX: ±0.0001"		--		TITLE	
ANGLES: ±0.5° FINISH: 125 MICRO INCHES		DESIGNED		--		MIRROR & TRIPOD	
BREAK ALL SHARP EDGES & CORNERS .002" MAX		CHECKED		--		PROJECT CODE	
MATERIAL		FINISH		SW DOCUMENT FILE		KDM0018	
--		--		--		NEXT ASSY	
		LICK OBSERVATORY		QUANTITY		REV	
				--		A	
						1/1	

8

7

6

5

4

3

2

1