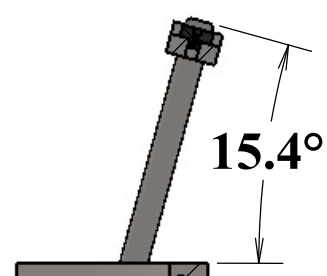
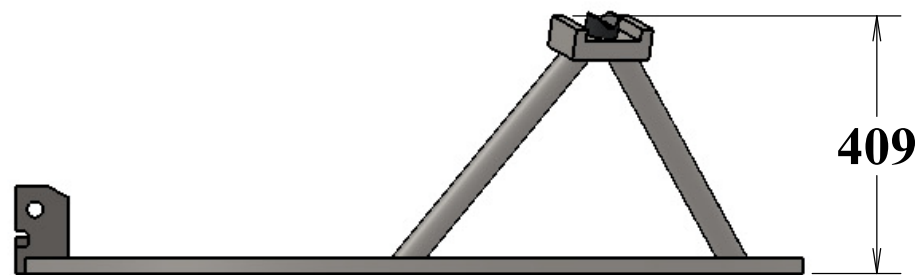
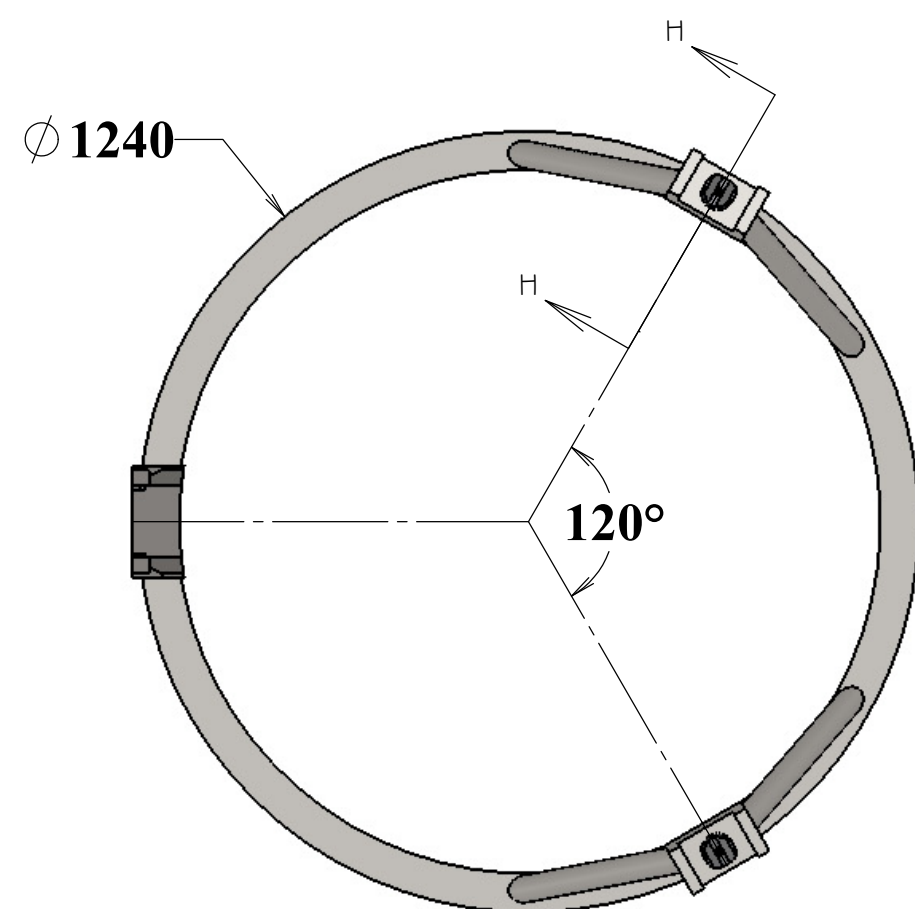


REVISIONS				
REV	DATE	DRWN	CHK'D	DESCRIPTION
A	3 SEPT 14	CR		INITIAL RELEASE



SECTION H-H



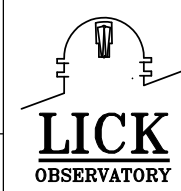
NOTES

1 ALL DIMENSIONS IN MILLIMETERS UNLESS OTHERWISE NOTED

UNLESS OTHERWISE NOTED DIMENSIONS ARE IN MILLIMETERS & TOLERANCES ARE AS FOLLOWS:
 X: ±0.25mm XX: ±0.10 mm XXX: ±0.01 mm

ANGLES: ±0.5° FINISH: 3 MICRONS (µm)
 BREAK ALL SHARP EDGES & CORNERS .25mm MAX

MATERIAL	FINISH
--	--



DRAWN	RATLIFF	SEPT 3, 14	KECK I DEPLOYABLE TERTIARY MIRROR
CHECKED		date	STRUTS AND V-BLOCKS
DESIGNED		date	TITLE
ENGINEER		date	KECK I DEPLOYABLE TERTIARY MODULE
SW DOCUMENT FILE	KECK I DEPLOYABLE TERTIARY MODULE	QUANTITY	PROJECT CODE
		--	TBD
			DWG NO
			KDM0012
			REV
			A