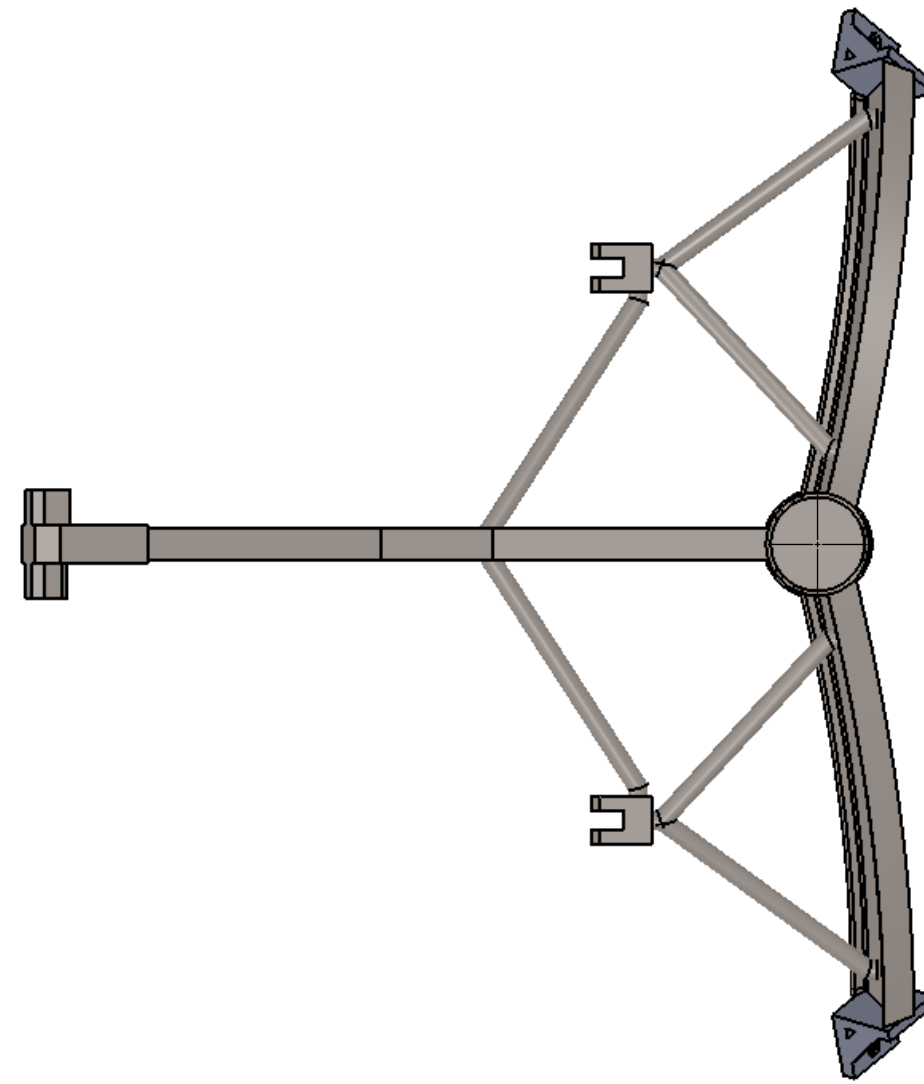
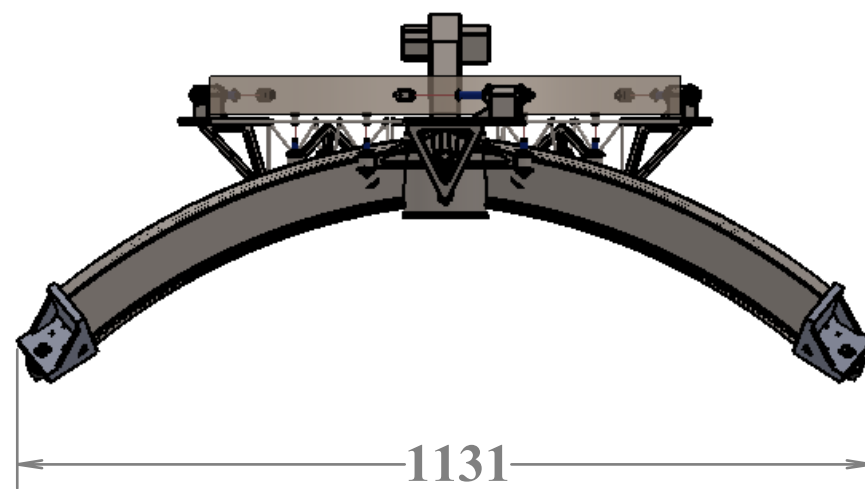
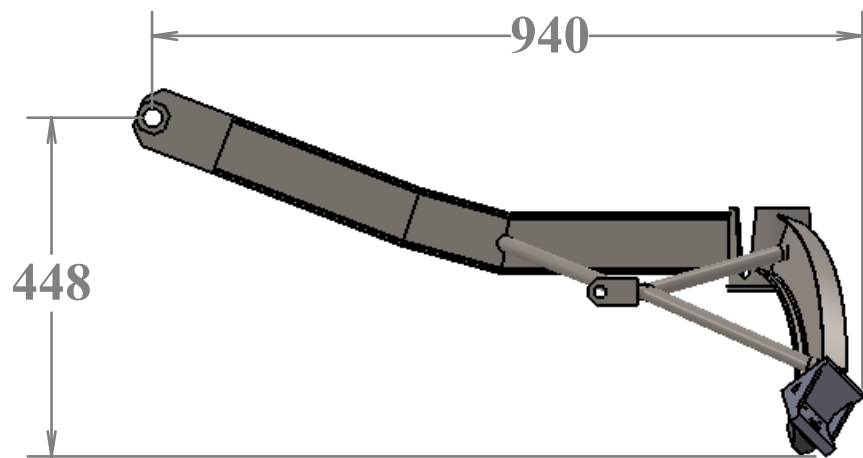


REVISIONS				
REV	DATE	DRWN	CHK'D	DESCRIPTION
A	1 JUL 14	CR		INITIAL RELEASE



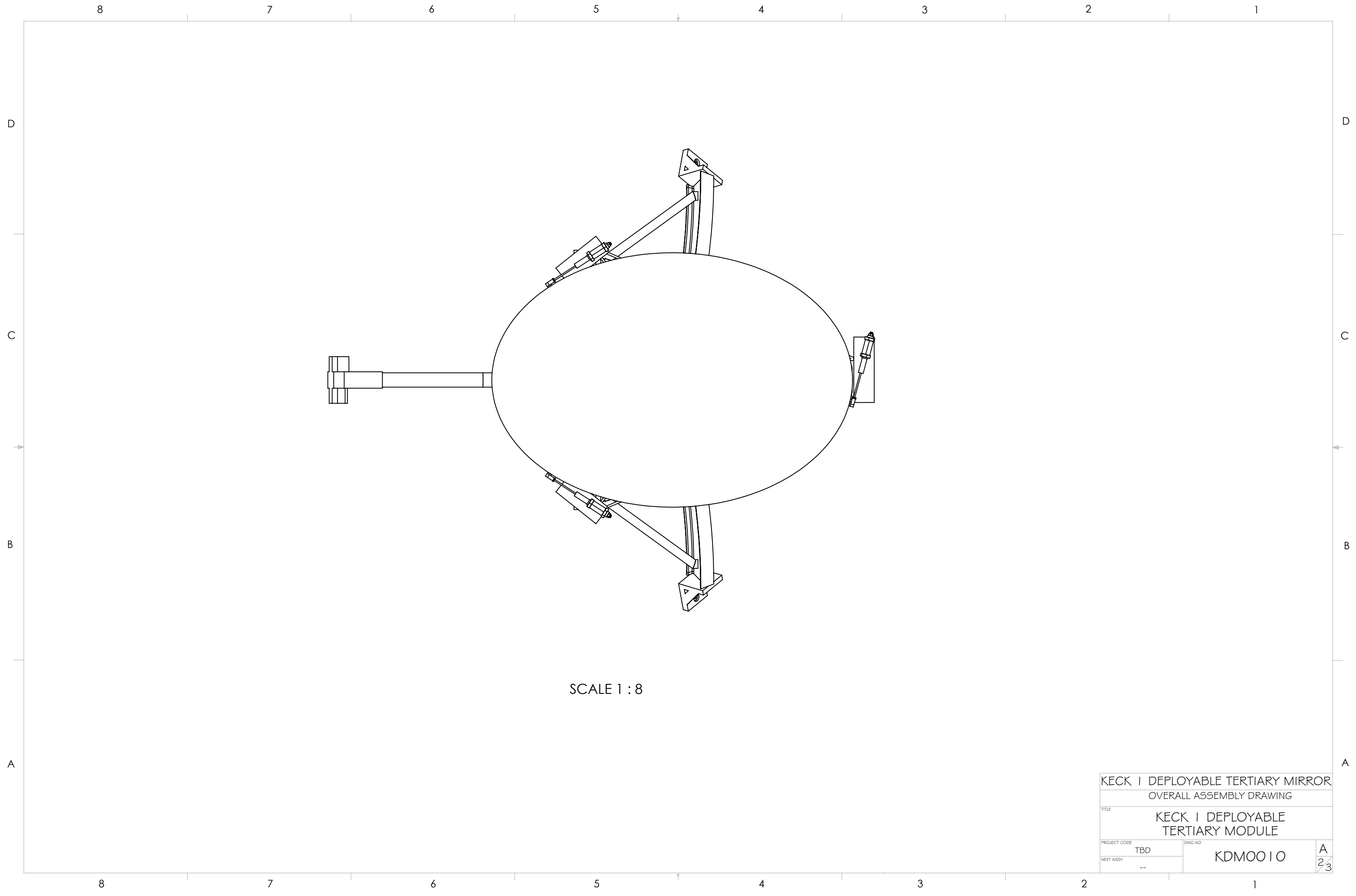
**NOTES**

1. ALL DIMENSIONS IN MILLIMETERS UNLESS OTHERWISE NOTED
2. CIRCULAR PLATE REMOVED IN ISO VIEW

UNLESS OTHERWISE NOTED DIMENSIONS ARE IN INCHES & TOLERANCES ARE AS FOLLOWS	
X.X: ±0.1000"	X.XX: ±0.0100"
X.XXX: ±0.0050"	X.XXXX: ±0.0001"
ANGLES: ±0.5° FINISH: 125 MICRO INCHES BREAK ALL SHARP EDGES & CORNERS .002" MAX	
MATERIAL	FINISH
--	--



DRAWN	RATLIFF	DATE		KECK I DEPLOYABLE TERTIARY MIRROR
CHECKED		date		OVERALL ASSEMBLY DRAWING
DESIGNED		date		TITLE
ENGINEER		date		KECK I DEPLOYABLE TERTIARY MODULE
SW DOCUMENT FILE		date		PROJECT CODE
				TBD
				DWG NO
				KDM0010
				REV
				A
				1/3



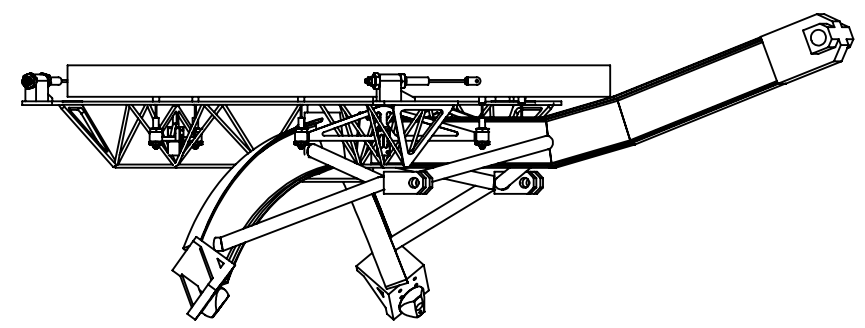
SCALE 1 : 8

KECK I DEPLOYABLE TERTIARY MIRROR			
OVERALL ASSEMBLY DRAWING			
TITLE KECK I DEPLOYABLE TERTIARY MODULE			
PROJECT CODE	TBD	DWG NO	A 23
NEXT ASSY	--	KDM0010	

8 7 6 5 4 3 2 1

D  
C  
B  
A

D  
C  
B  
A



RETRACTED

UNLESS OTHERWISE NOTED DIMENSIONS ARE  
IN INCHES & TOLERANCES ARE AS FOLLOWS

X.X:  $\pm 0.1000''$  X.XX:  $\pm 0.0100''$   
 X.XXX:  $\pm 0.0050''$  X.XXXX:  $\pm 0.0001''$   
 ANGLES:  $\pm 0.5^\circ$  FINISH: 125 MICRO INCHES  
 BREAK ALL SHARP EDGES & CORNERS .002'' MAX

MATERIAL	FINISH
--	--



DRAWN	RATLIFF	
CHECKED		date
DESIGNED		date
ENGINEER		date
SW DOCUMENT FILE		1
QUANTITY		--

KECK I DEPLOYABLE TERTIARY MIRROR	
OVERALL ASSEMBLY DRAWING	
TITLE	KECK I DEPLOYABLE TERTIARY MODULE
PROJECT CODE	TBD
NEXT ASSY	--
REV	A
	3
	3

8 7 6 5 4 3 2 1