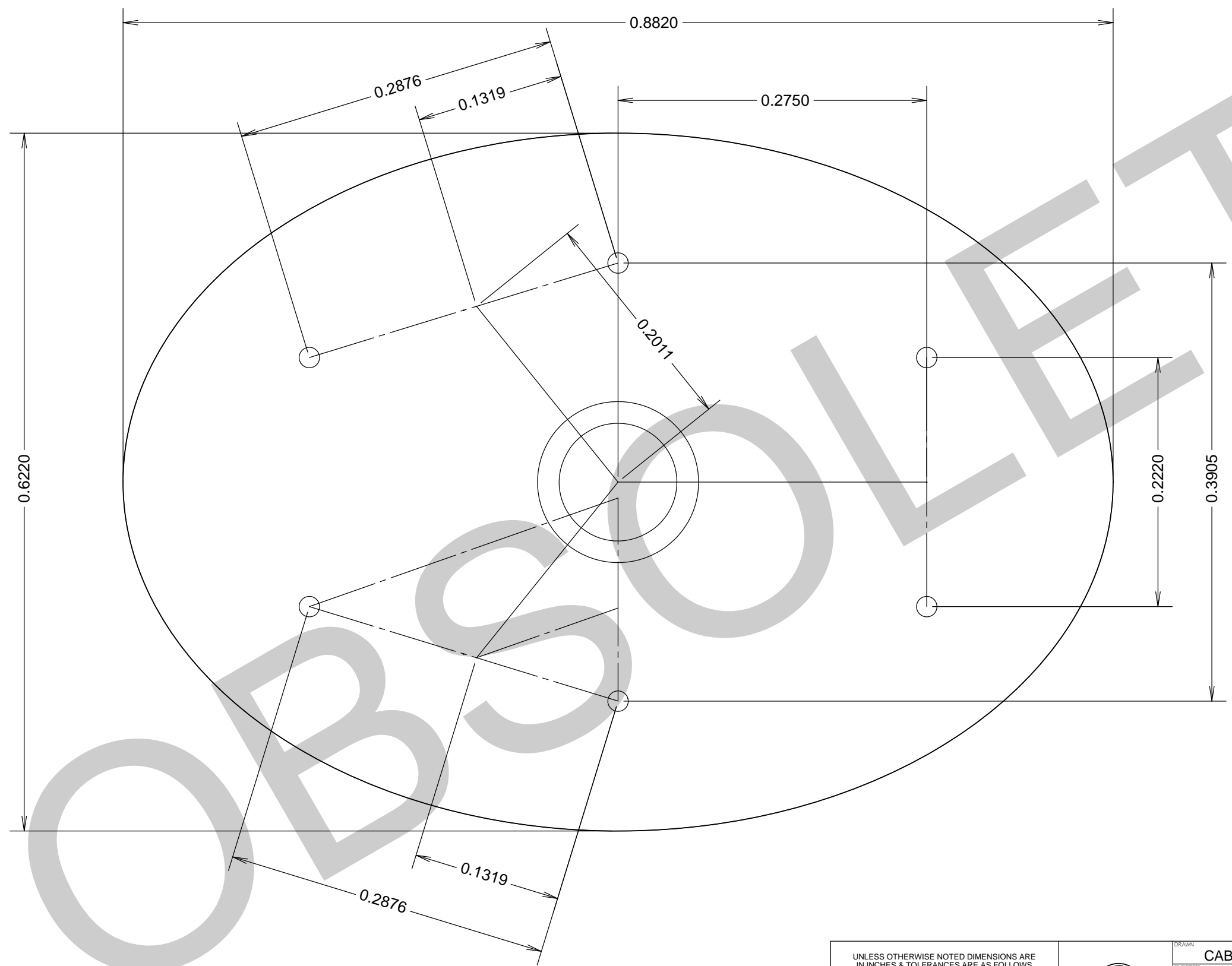


REVISIONS				
REV	DATE	DRWN	CHK'D	DESCRIPTION
A	29APR14	GFC	--	INITIAL RELEASE



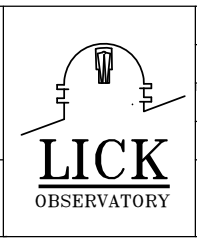
NOTES

1 AXIAL SUPPORT LOCATIONS & BALANCES BASED ON FEA MODEL 15

UNLESS OTHERWISE NOTED DIMENSIONS ARE IN INCHES & TOLERANCES ARE AS FOLLOWS

X.X: ±0.1000" X.XX: ±0.0100"
 X.XXX: ±0.0050" X.XXXX: ±0.0001"
 ANGLES: ±0.5° FINISH: 125 MICRO INCHES
 BREAK ALL SHARP EDGES & CORNERS .002" MAX

MATERIAL	FINISH
--	--



DRAWN	CABAK	PROJECT CODE	KECK 1 DEPLOYABLE TERTIARY MIRROR
CHECKED		TITLE	PRELIMINARY SKETCHES & LAYOUTS
DESIGNED		PROJECT CODE	WHIFFLE TREE GEOMETRY
ENGINEER		DWG NO	KDM0009
SW DOCUMENT FILE	QUANTITY	NEXT ASSY	REV A
	--		1/1