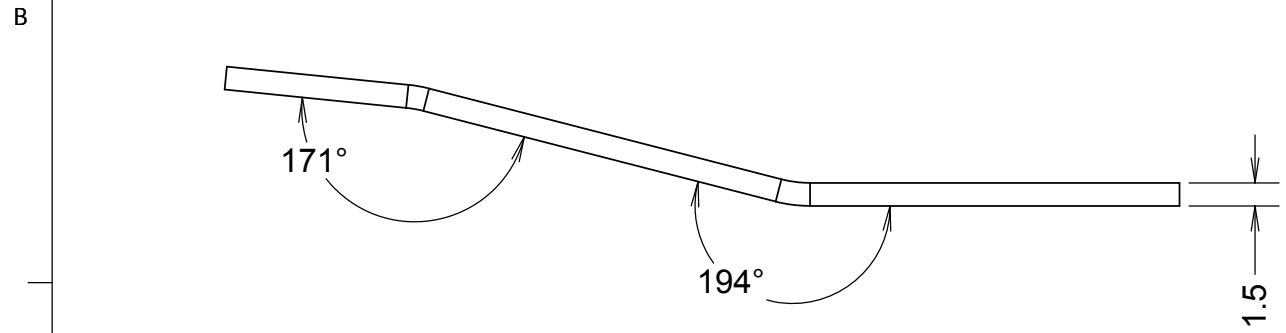
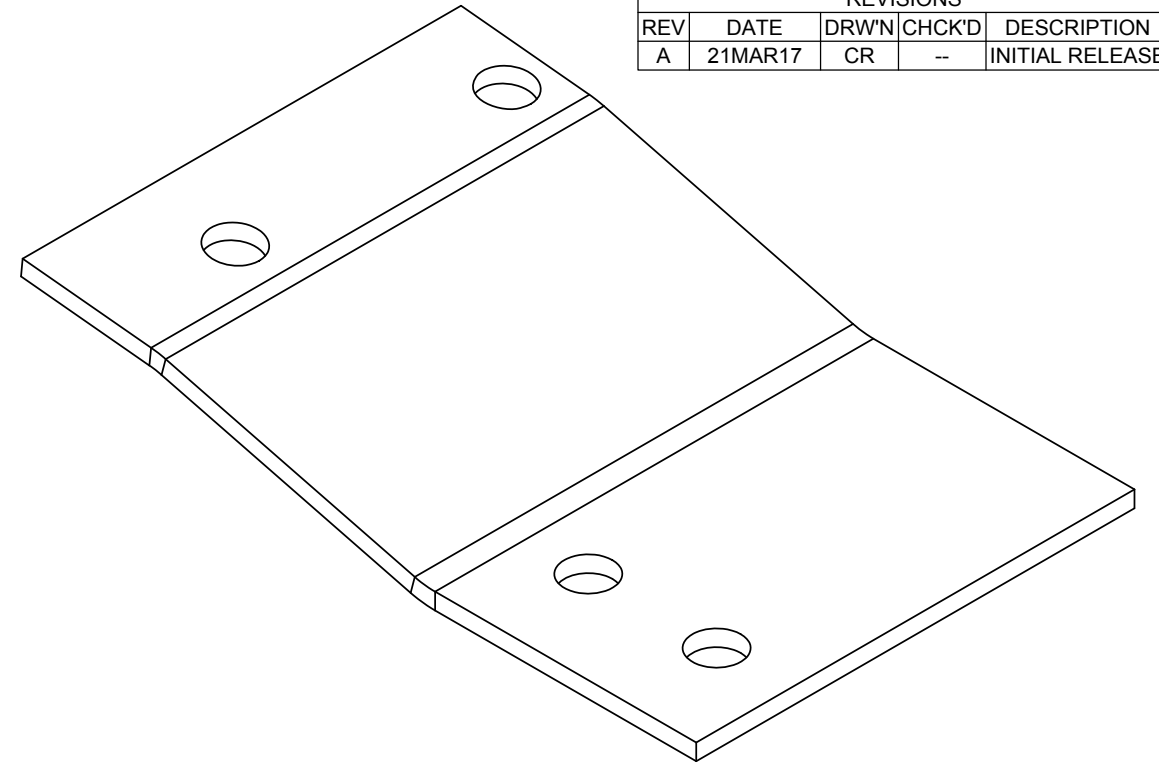
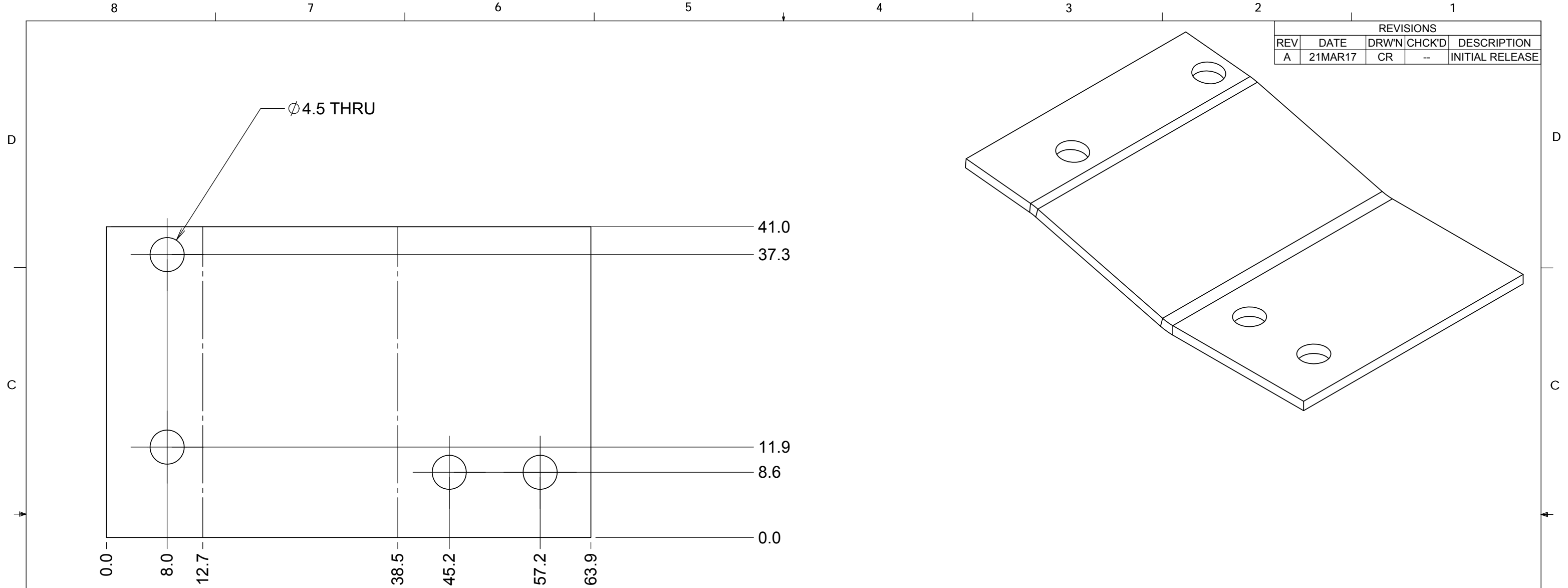



REVISIONS				
REV	DATE	DRW'N	CHCK'D	DESCRIPTION
A	21MAR17	CR	--	INITIAL RELEASE



NOTES

- 1. CAD MODEL FILENAME, 872-LM8536 Tower shock absorber contact jig
- 2. MATERIAL: STEEL

UNLESS OTHERWISE NOTED DIMENSIONS ARE IN MILLIMETERS & TOLERANCES ARE AS FOLLOWS: X.X: ±0.10 mm X.XX: ±0.04 mm ANGLES: ±0.1° FINISH: 3 MICRONS (µm) BREAK ALL SHARP EDGES & CORNERS .25mm MAX			DRAWN RATLIFF	--	KECK 1 DEPLOYABLE TERTIARY MIRROR	
NOTE 2			FINISH NA	CHECKED JW	--	TOOLING
			DESIGNED CR	--	TITLE TOWER SHOCK ABSORBER CONTACT JIG	
			ENGINEER RATLIFF	--	PROJECT CODE K1D3FD	DWG NO 872-LM8536
			SW DOCUMENT FILE 872-LM8536.SLDPRT	QUANTITY 1	NEXT ASSY -	REV A 1/1