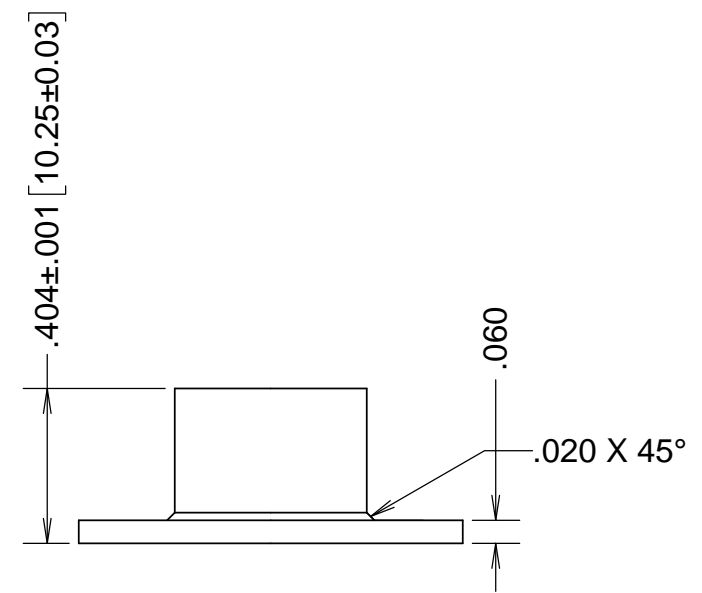
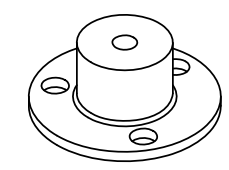
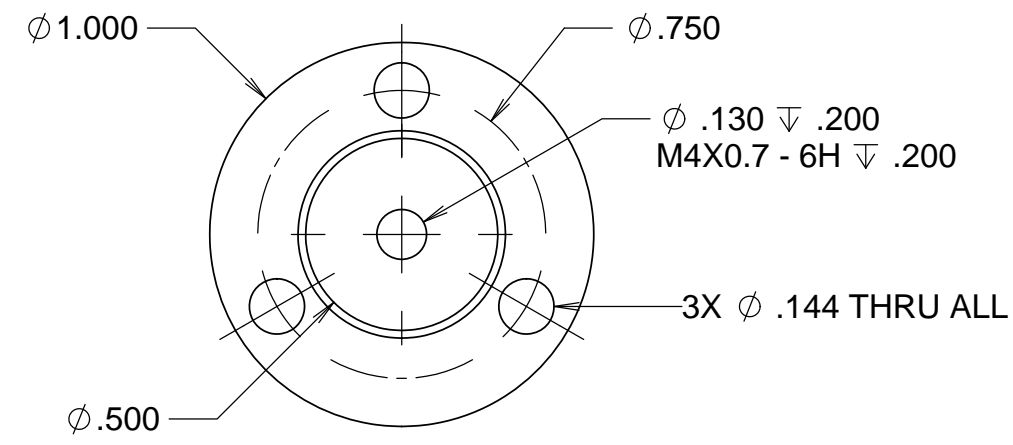


REVISIONS				
REV	DATE	DRW'N	CHCK'D	DESCRIPTION
A	13APR16	GFC	--	INITIAL RELEASE



UNLESS OTHERWISE NOTED DIMENSIONS ARE IN INCHES & TOLERANCES ARE AS FOLLOWS

X.X: ±0.1000"    X.XX: ±0.0100"  
 X.XXX: ±0.0050"    X.XXXX: ±0.0001"  
 ANGLES: ±0.5°    FINISH: 125 MICRO INCHES  
 BREAK ALL SHARP EDGES  
 & CORNERS .002" MAX

MATERIAL: AL 6061    FINISH: 64



DRAWN	CABAK	--	KECK 1 DEPLOYABLE TERTIARY MIRROR
CHECKED	--	--	TOOLING & FIXTURING
DESIGNED	CABAK	--	TITLE
ENGINEER	CABAK	--	AXIAL DUMMY PUCK
SW DOCUMENT FILE	PROJECT CODE: K1D3FD		DWG NO: 872-LM8402
NEXT ASSY: --			A/1