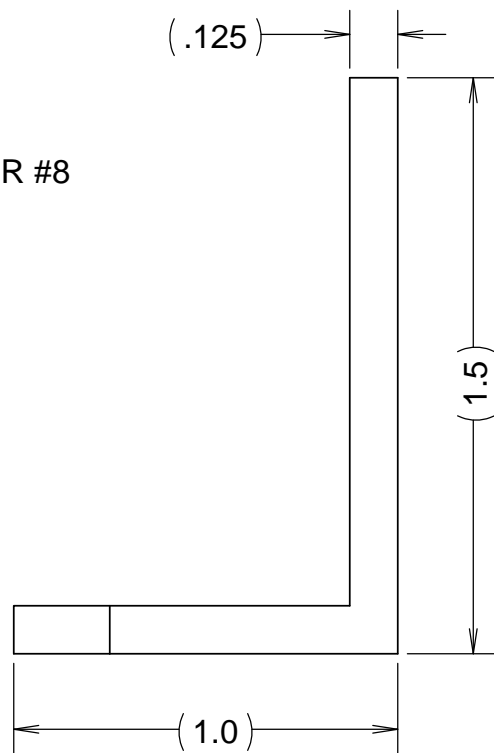
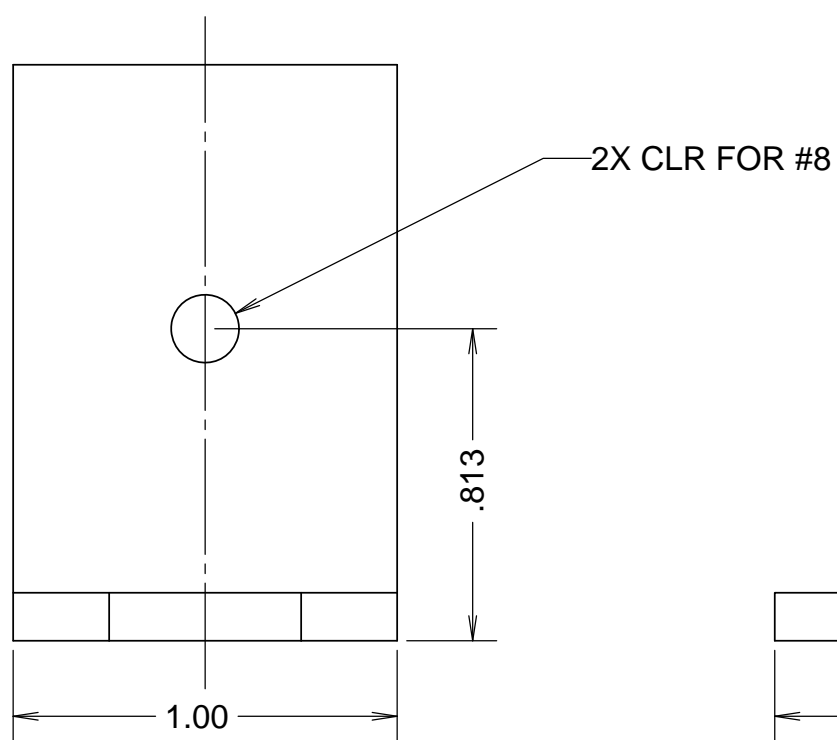
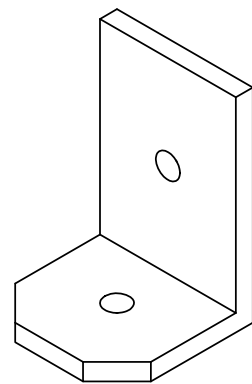
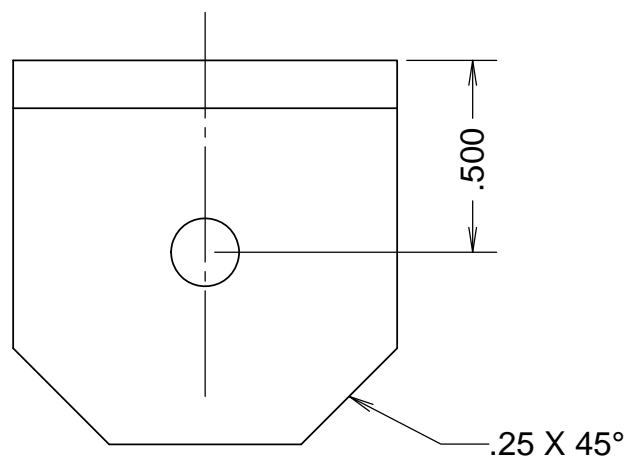


REVISIONS				
REV	DATE	DRW'N	CHCK'D	DESCRIPTION
A	9FEB17	GFC		INITIAL RELEASE



NOTES

- 1 CAD MODEL FILENAME, 872-LM8138 FootPrint Tab
- 2 MATERIAL, ALUMINUM, 5xxx/6xxx, ANGLE, 1-1/2 X 1 X 1/8

UNLESS OTHERWISE NOTED DIMENSIONS ARE IN INCHES & TOLERANCES ARE AS FOLLOWS

X.X: ±0.1000" X.XX: ±0.0100"
 X.XXX: ±0.0050" X.XXXX: ±0.0001"
 ANGLES: ±0.5° FINISH: 125 MICRO INCHES
 BREAK ALL SHARP EDGES
 & CORNERS .002" MAX

MATERIAL	NOTE 2
FINISH	--



DRAWN	CABAK	--	KECK 1 DEPLOYABLE TERTIARY MIRROR
CHECKED	--	--	TOOLING & FIXTURING
DESIGNED	CABAK	--	TITLE
DRAWN	CABAK	--	TAB, FOOTPRINT
SW DOCUMENT FILE	1	PROJECT CODE	K1D3FD
		DWG NO	872-LM8138
		NEXT ASSY	872-LM8133
			872-LM8138
			A
			1/1