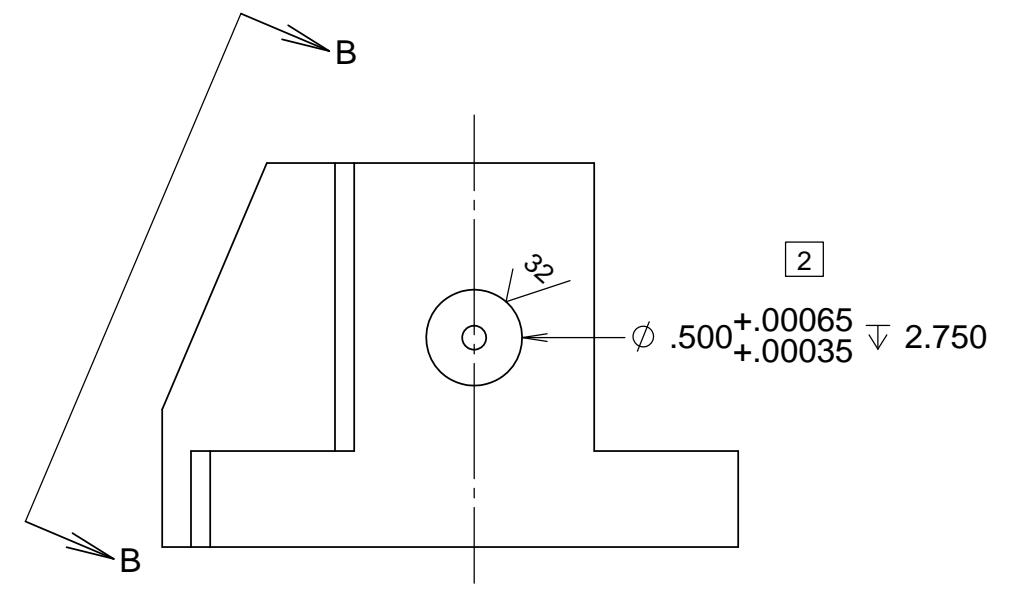
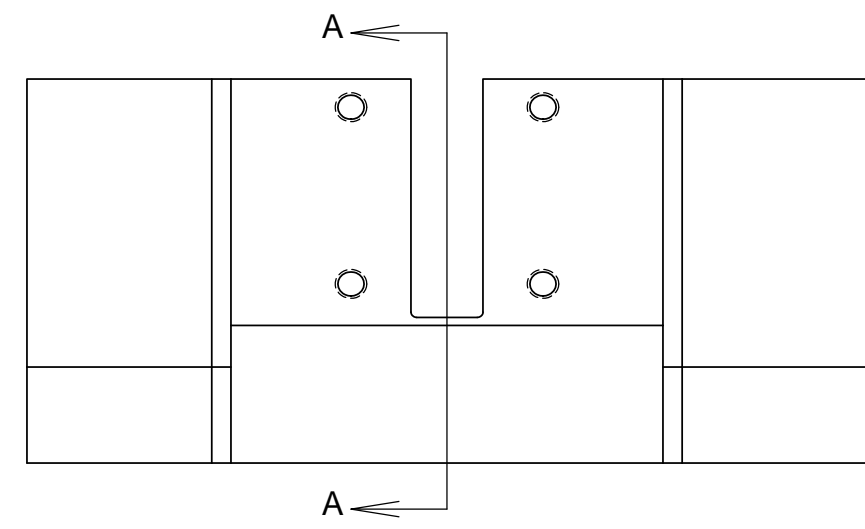
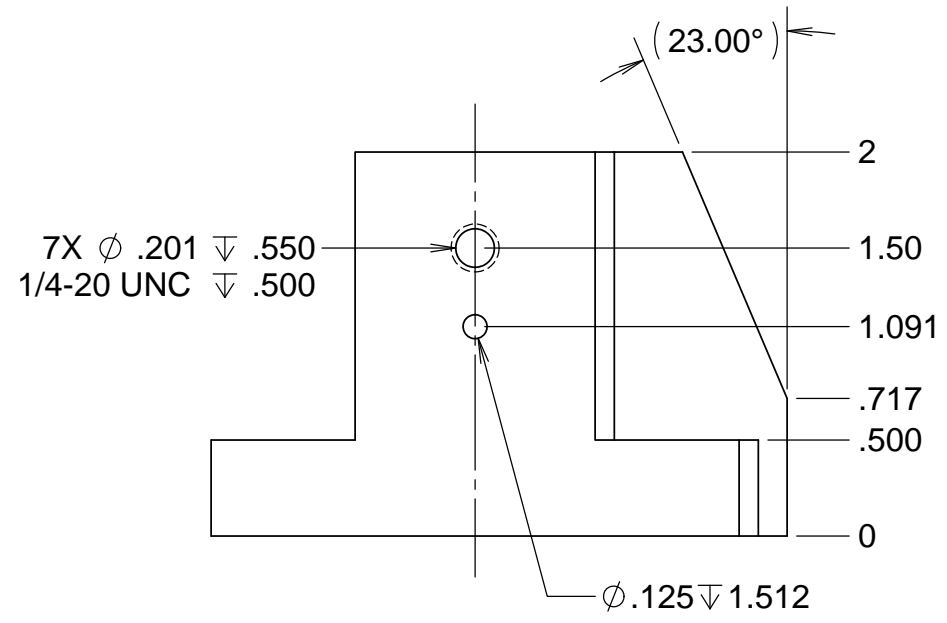
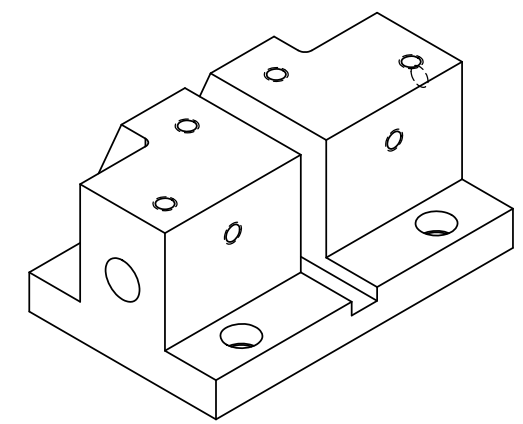
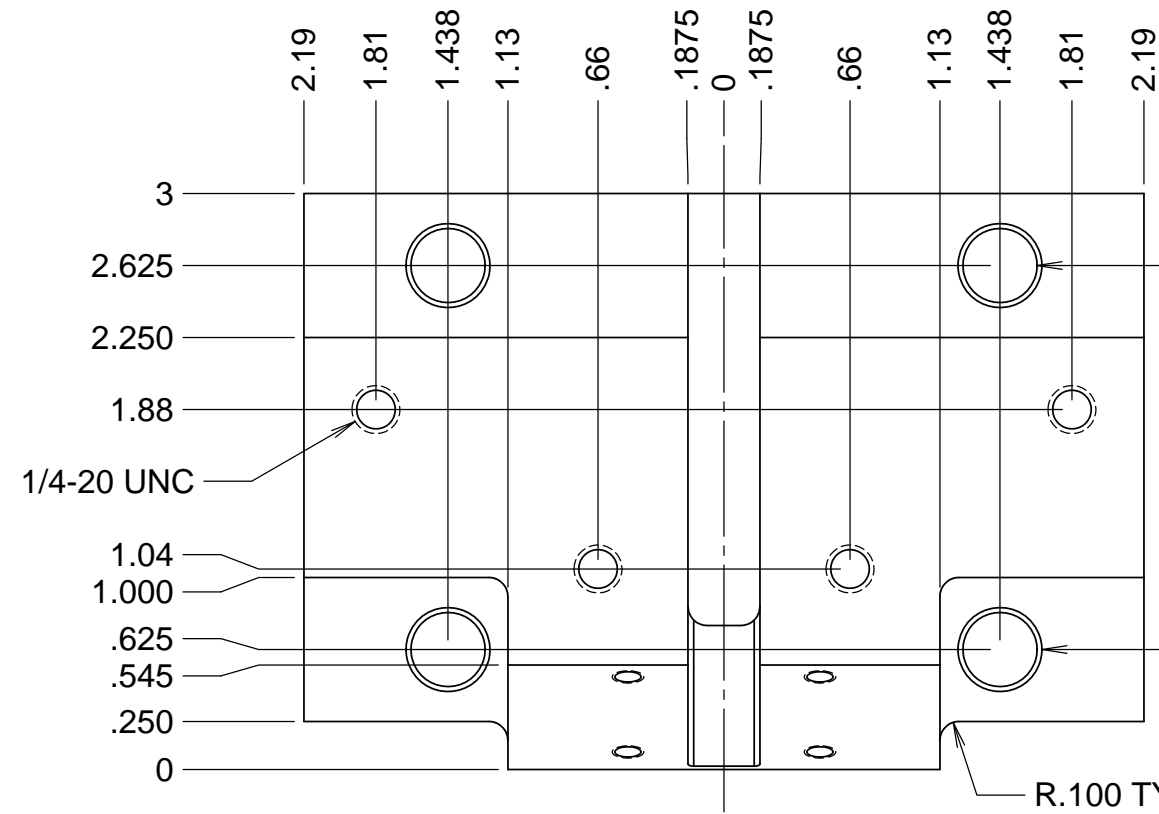
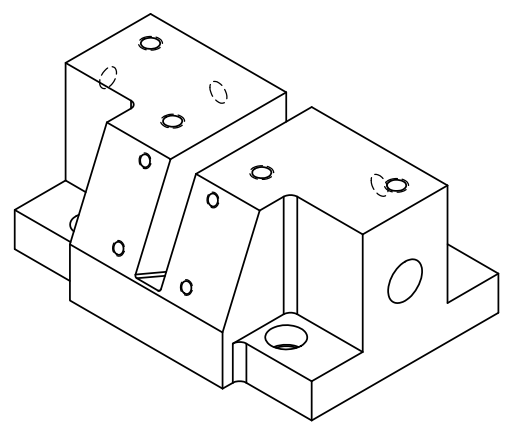


REVISIONS				
REV	DATE	DRW'N	CHCK'D	DESCRIPTION
A	5OCT17	GFC	--	INITIAL RELEASE
B	06OCT17	GFC	--	ADDED TAPPED HOLES
C	15DEC17	GFC	--	HOLE CHANGE



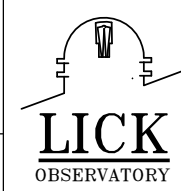
**NOTES**

- 1 CAD MODEL FILENAME, 872-LM6012 Clevis(Type2)
- 2 SLIP FIT WITH PIN, 872-LM6004
- 3 1/4-20 TAPPED HOLE (OPTIONAL) LOCATIONS ARE LOOSE TOLERANCE

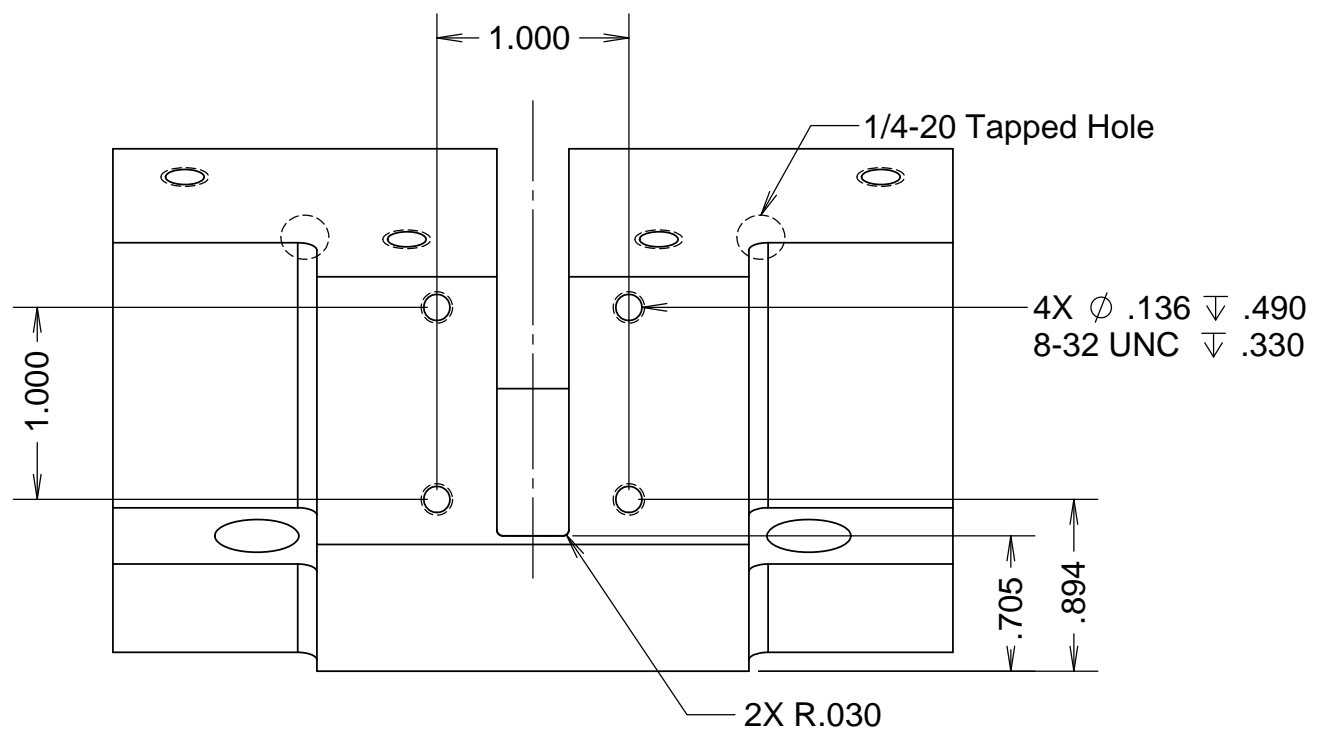
UNLESS OTHERWISE NOTED DIMENSIONS ARE IN INCHES & TOLERANCES ARE AS FOLLOWS

X.X: ±0.1000" X.XX: ±0.0100"  
 X.XXX: ±0.0050" X.XXXX: ±0.0001"  
 ANGLES: ±0.5° FINISH: 125 MICRO INCHES  
 BREAK ALL SHARP EDGES & CORNERS .002" MAX

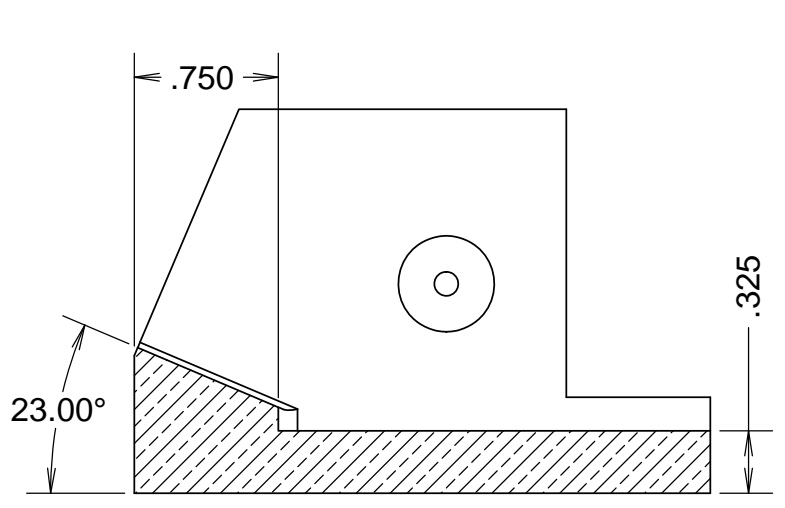
MATERIAL	FINISH
C95400 AL BRONZE	64



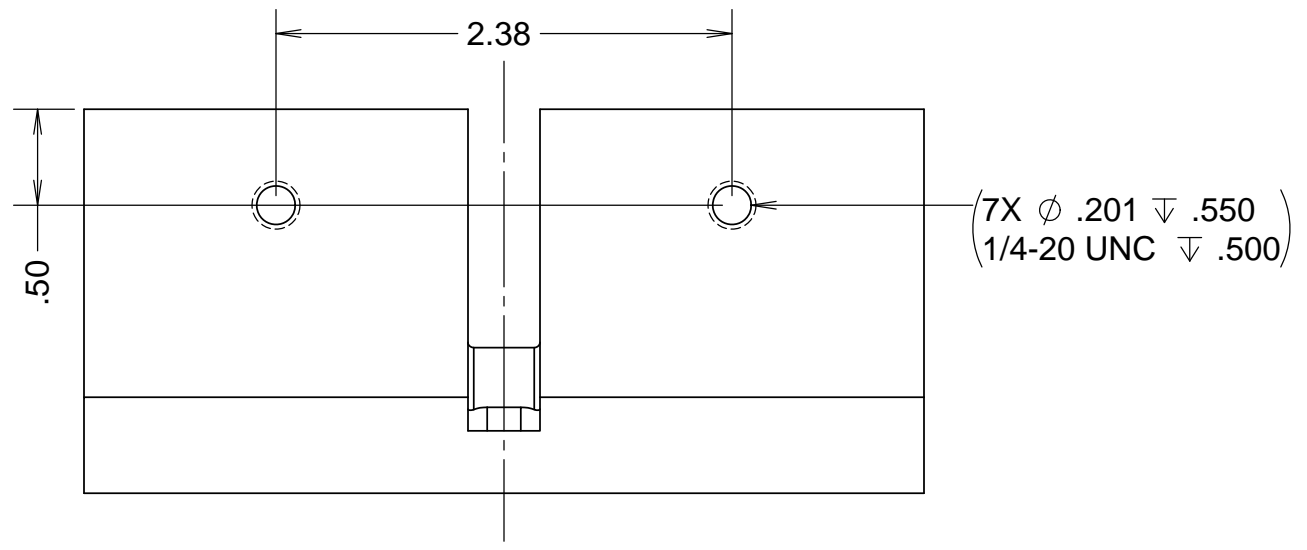
DRAWN	CABAK	--	KECK 1 DEPLOYABLE TERTIARY MIRROR
CHECKED	--	--	TOWER DOCKING
DESIGNED	CABAK	--	TITLE
APPROVED	CABAK	--	CLEVIS, TYPE 2
SW DOCUMENT FILE	1	PROJECT CODE	K1D3FD
		872-LM6009	872-LM6012
			C 1/2



VIEW B-B



SECTION A-A



KECK 1 DEPLOYABLE TERTIARY MIRROR		
TOWER DOCKING		
TITLE CLEVIS, TYPE 2		
PROJECT CODE K1D3FD	DWG NO 872-LM6012	C 2/2
NEXT ASSY 872-LM6009		