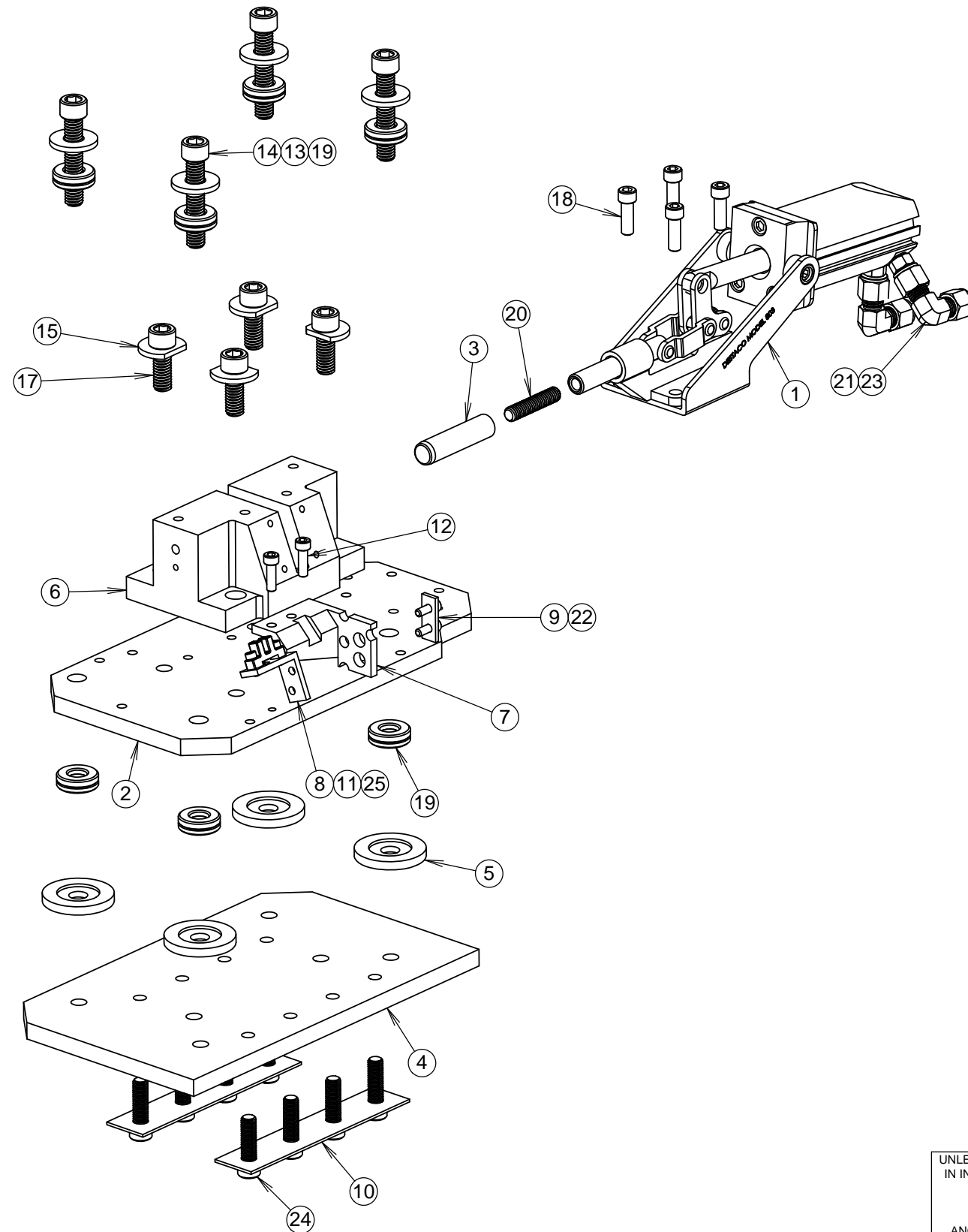


REVISIONS				
REV	DATE	DRW'N	CHCK'D	DESCRIPTION
A	22SEP17	GFC	--	INITIAL RELEASE
B	03OCT17	GFC	--	DESIGN UPDATE; PARTS ADDED
C	06OCT17	GFC	--	DESIGN CHANGE
D	05DEC17	GFC	--	DESIGN CHANGE
E	19JAN18	GFC	--	DESIGN UPDATE



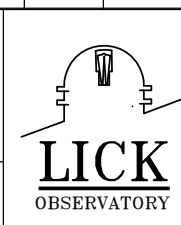
ITEM	QTY	P/N	DESCRIPTION
1	1	803	DESTACO INLINE TOGGLE CLAMP
2	1	872-LM6003	BASE PLATE
3	1	872-LM6004	PIN
4	1	872-LM6005	TOP PLATE
5	4	872-LM6008	SHIM PAD
6	1	872-LM6012	CLEVIS (TYPE2)
7	1	872-LM6013	SENSOR BRACKET
8	1	872-LM6014	SENSOR MOUNT
9	1	872-LM6015	WASHER PLATE
10	2	872-LM6016	INTERFACE WASHER PLATE
11	2	91251A146	SHCS, BLACK-OXIDE, 6-32 X .375, MCMaster-CARR
12	2	H/W	SHCS, 10-32 X .625
13	4	H/W	WASHER, 3/8", TYPE A, 18-8 SST
14	4	H/W	SHCS, 3/8-24, 2" LNG
15	2	H/W	WASHER, 3/8", TYPE A, 18-8 SST
16	2	H/W	WASHER, 3/8", TYPE A, 18-8 SST
17	4	H/W	SHCS, 3/8-24, 1" LNG
18	4	HW	SHCS, 316 SST, 1/4-20 X .75"
19	8	HW	SPHERICAL WASHER SET, 3/8", .235-.265 THICK
20	1	HW	THREADED ROD, 5/16-18 X 1-1/2
21	2	HW	ADAPTER, STAINLESS, STRAIGHT, 1/8 NPT X 1/4 TUBE
22	2	HW	SHCS, BLACK OXIDE, 8-32 X 7/16
23	2	HW	COMPRESSION FITTING, ELBOW, 1/4", YOR-LOK
24	8	HW	SHCS, 5/16-24 X 1
25	1	VN101501	HALL EFFECT SWITCH, CHERRY

NOTES

[1] CAD MODEL FILENAME, 872-LM6009 ClevisAssy

UNLESS OTHERWISE NOTED DIMENSIONS ARE IN INCHES & TOLERANCES ARE AS FOLLOWS
 X.X: ±0.1000" X.XX: ±0.0100"
 X.XXX: ±0.0050" X.XXXX: ±0.0001"
 ANGLES: ±0.5° FINISH: 125 MICRO INCHES
 BREAK ALL SHARP EDGES & CORNERS .002" MAX

MATERIAL	FINISH
PARTS LIST	--



DRAWN	CABAK	--	KECK 1 DEPLOYABLE TERTIARY MIRROR TOWER DOCKING
CHECKED	--	--	TITLE
DESIGNED	CABAK	--	CLEVIS ASSEMBLY
ENGINEER	CABAK	--	
SW DOCUMENT FILE	[1]	PROJECT CODE	K1D3FD
		DWG NO	872-LM6009
		NEXT ASSY	--

