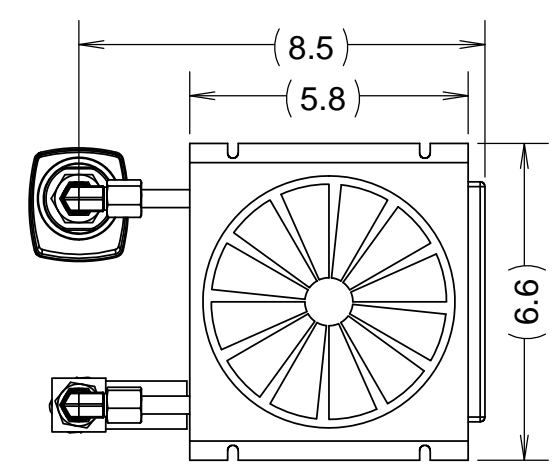
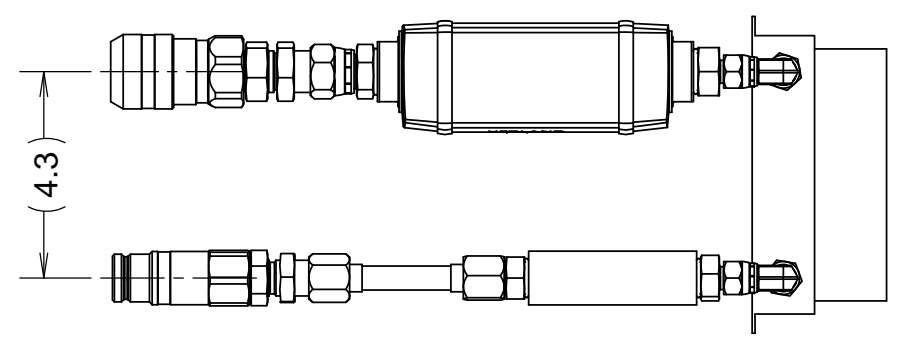
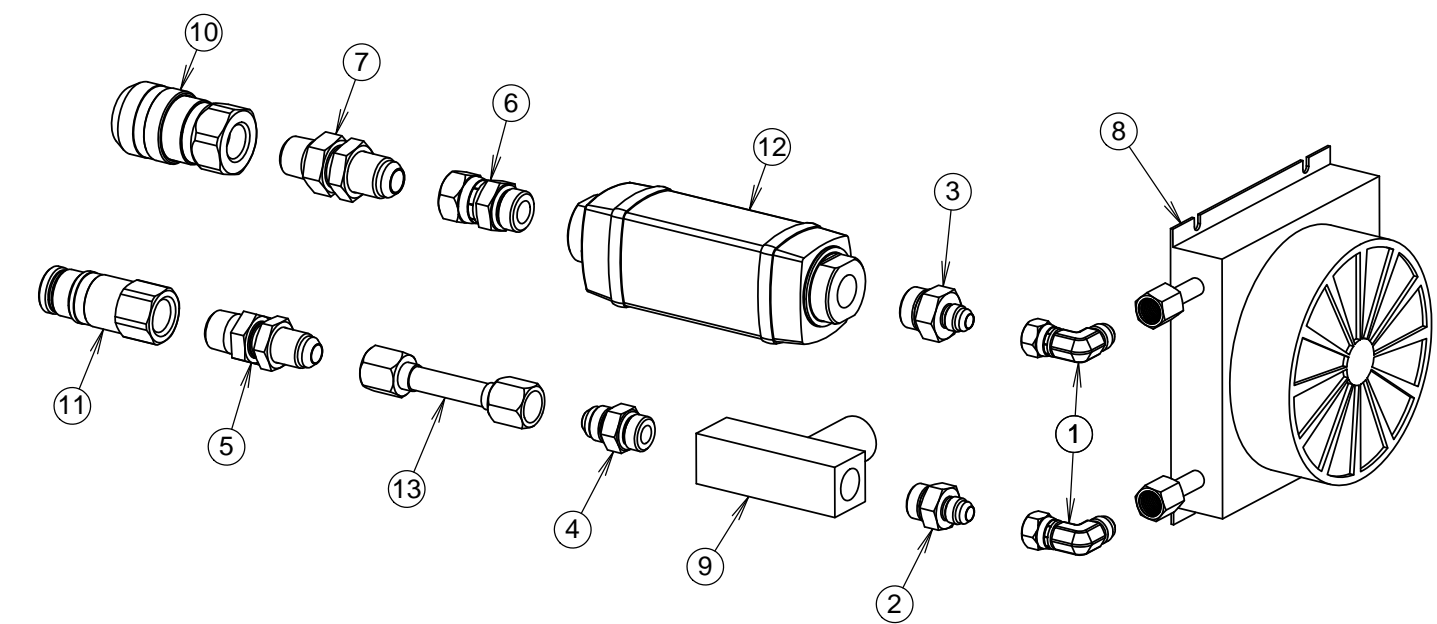
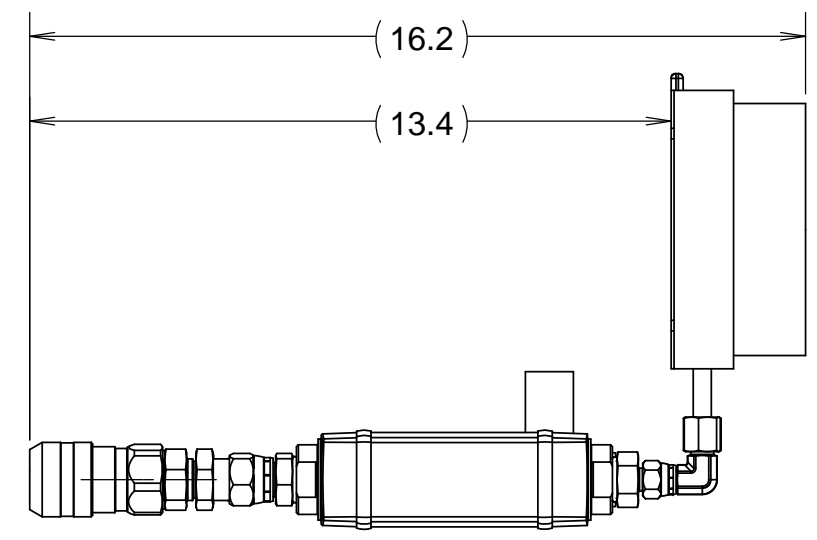


REVISIONS				
REV	DATE	DRW'N	CHK'D	DESCRIPTION
A	26MAY17	GFC	--	INITIAL RELEASE
B	15JUN17	GFC		UPDATE WITH ELBOWS
C	17OCT17	GFC	--	DESIGN CHANGE

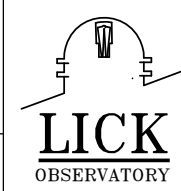


ITEM	QTY	P/N	DESCRIPTION
1	2	6 C6X-SS	37 SWIVEL ELBOW #6, PARKER
2	1	6-8 F50X-SS	FITTING, 37° FLARE #6 / MALE #8 SAE ORB, PARKER
3	1	6-10 F50X-SS	FITTING, 37° FLARE #6 / MALE #10 SAE ORB, PARKER
4	1	8 F50X-SS	FITTING, #8 MALE SAE ORB / #8 MALE 37 FLARE, PARKER
5	1	8-8 WFTX-WLN-SS	FITTING, MALE 1/2 NPT / 37° BULKHEAD #8, PARKER
6	1	10 F65OX-SS	FITTING, 37° SWIVEL #10 / MALE #10 SAE ORB, PARKER
7	1	10 WFTX-WLN-SS	FITTING, MALE 1/2 NPT / 37° BULKHEAD #10, PARKER
8	1	35415K71	FAN-COOLED HEAT SINK, MCMaster-CARR
9	1	F-820-SS	FLOW CONTROL VALVE, PARKER, SERIES F, #8 SAE
10	1	FS-501-8FP	QUICK DISCONNECT COUPLING, FEMALE, 1/2", PARKER
11	1	FS-502-8FP	QUICK DISCONNECT COUPLING, MALE, 1/2", PARKER
12	1	H604S-002	FLOWMETER, W/ FEMALE #10 SAE ORB CONNECTIONS, HEDLAND
13	1	HW	TUBE ASSY, 37 FLARE ENDS, 1/2" DIA, SWIVEL NUTS

NOTES

1 CAD MODEL FILENAME, 872-LM5201 eBox Cooling Layout

UNLESS OTHERWISE NOTED DIMENSIONS ARE IN INCHES & TOLERANCES ARE AS FOLLOWS
 X.X: ±0.1000" X.XX: ±0.0100"
 X.XXX: ±0.0050" X.XXXX: ±0.0001"
 ANGLES: ±0.5° FINISH: 125 MICRO INCHES
 BREAK ALL SHARP EDGES & CORNERS .002" MAX



DRAWN	CABAK	--	KECK 1 DEPLOYABLE TERTIARY MIRROR
CHECKED	--	--	ELECTRONICS & ELECTRICAL
DESIGNED	CABAK	--	ELECTRONICS BOX COOLING LAYOUT
APPROVED	CABAK	--	
SW DOCUMENT FILE	1	PROJECT CODE	K1D3FD
		DWG NO	872-LM5201
		NEXT ASSY	--

C
1/1