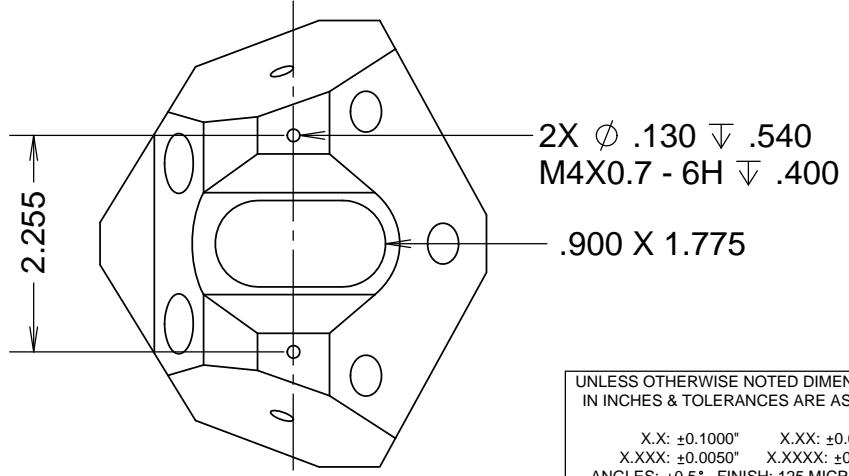
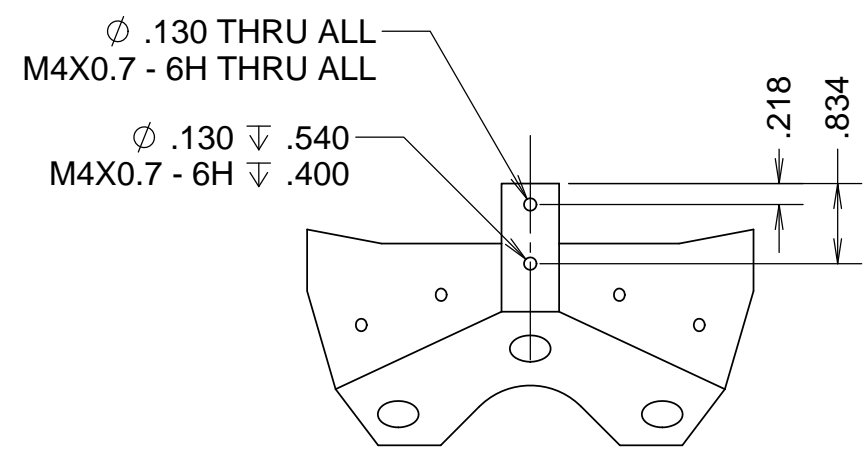
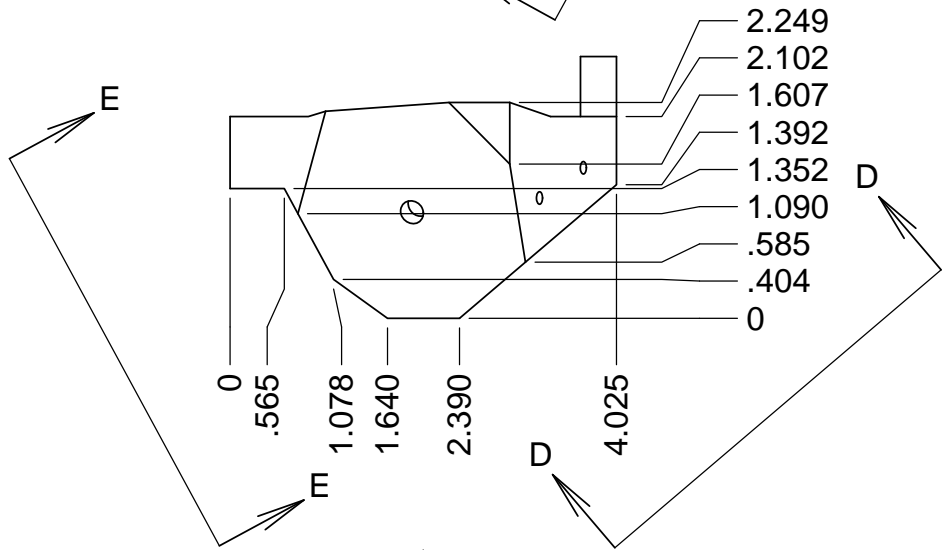
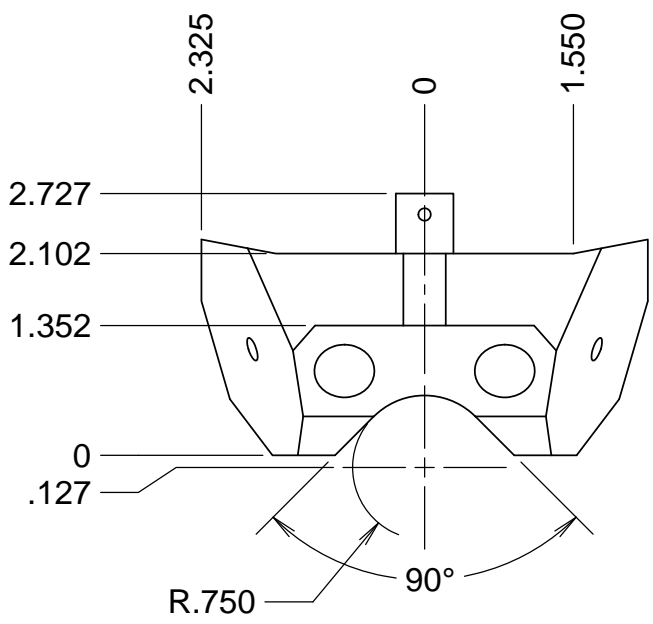
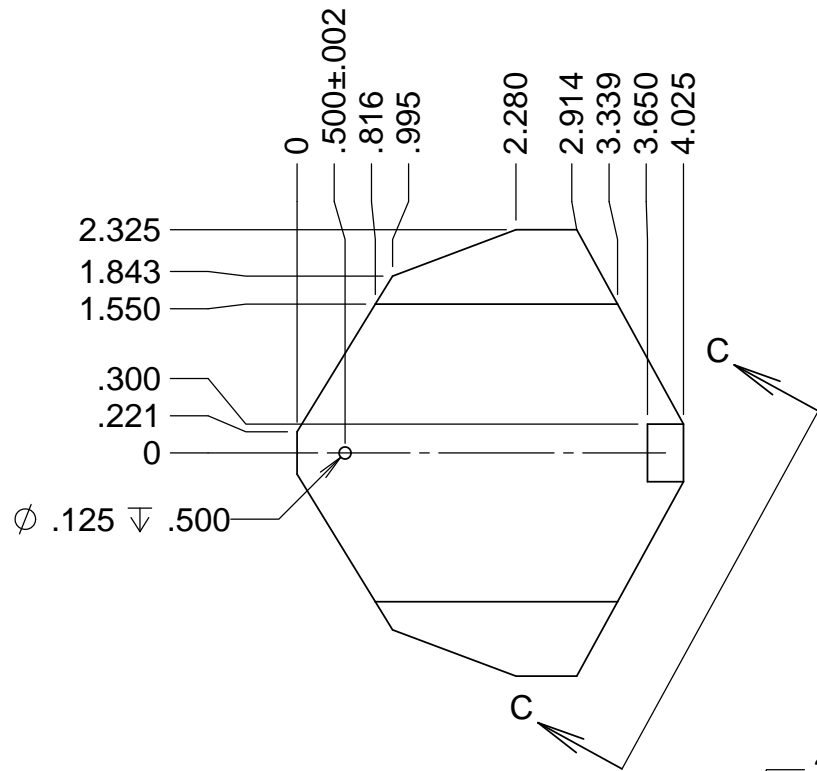
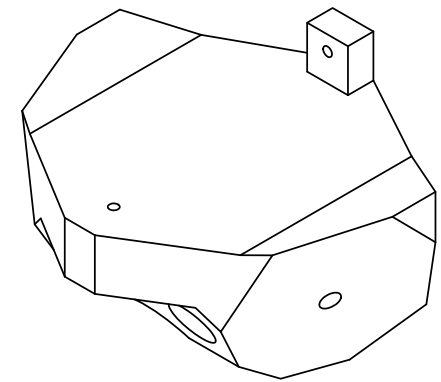


REVISIONS				
REV	DATE	DRW'N	CHCK'D	DESCRIPTION
A	05MAY16	GFC	--	INITIAL RELEASE
B	10MAY16	GFC	CR	MATERIAL CHANGE
C	19SEP16	GFC	--	M12 HOLE CORRECTION



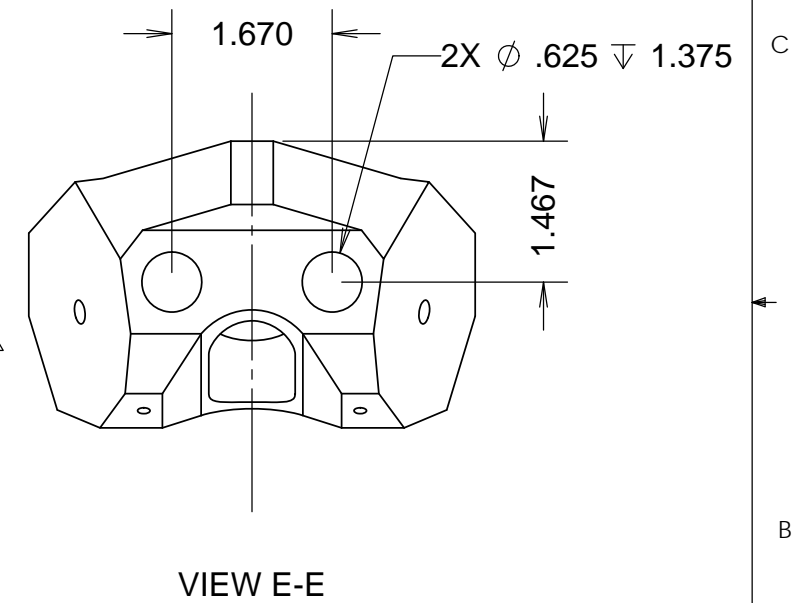
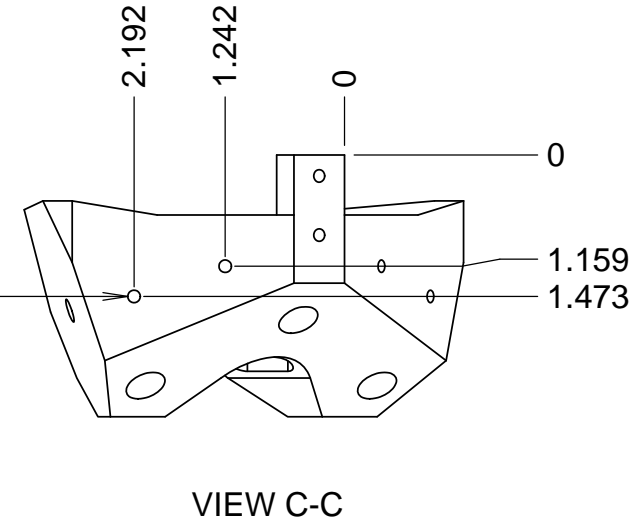
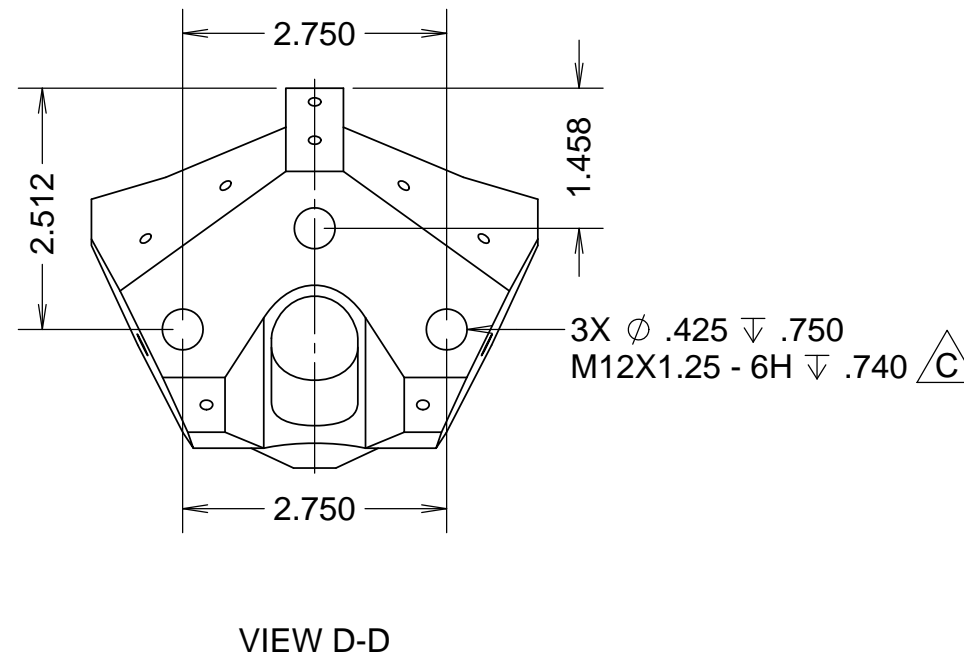
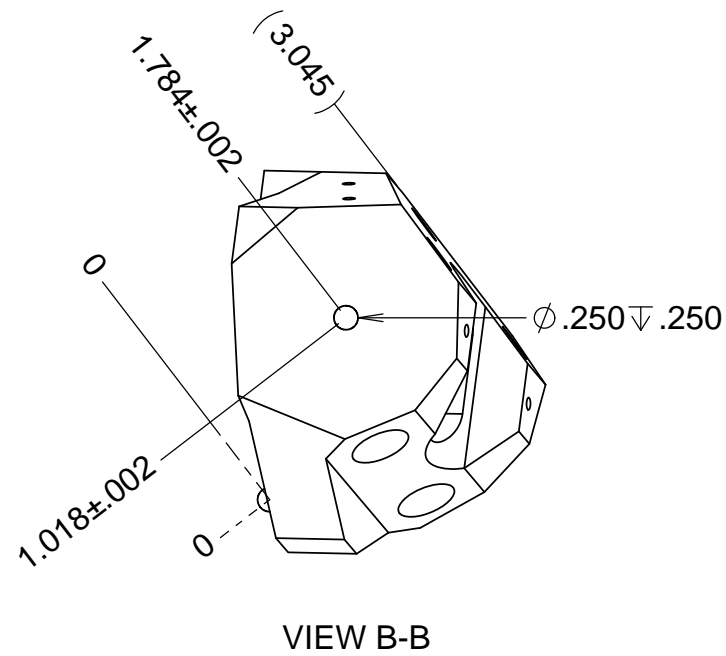
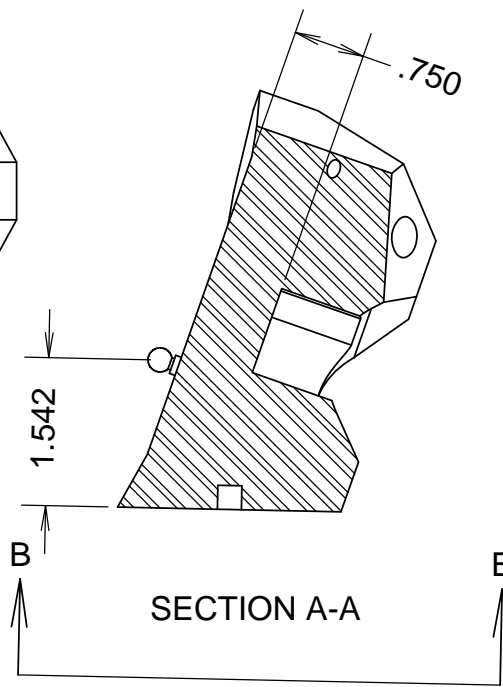
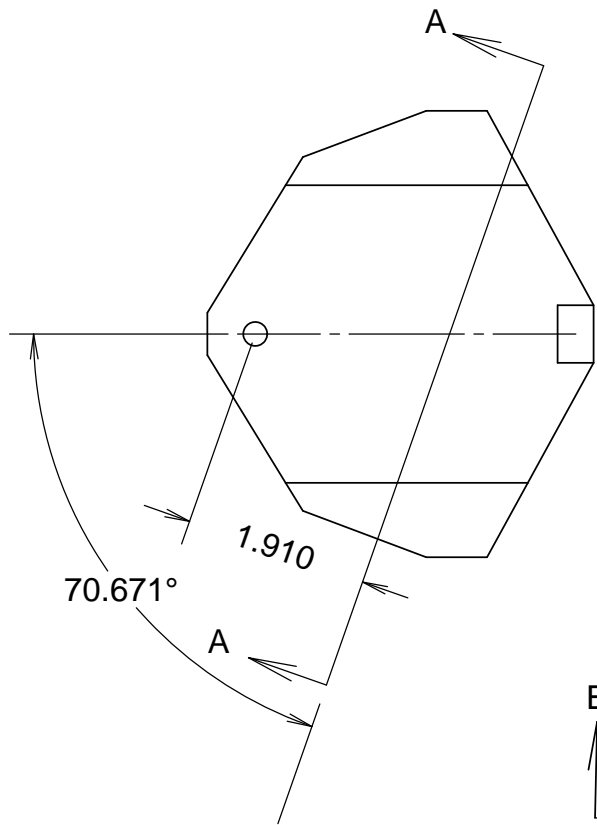
UNLESS OTHERWISE NOTED DIMENSIONS ARE IN INCHES & TOLERANCES ARE AS FOLLOWS

X.X: $\pm 0.1000''$ X.XX: $\pm 0.0100''$
X.XXX: $\pm 0.0050''$ X.XXXX: $\pm 0.0001''$
ANGLES: $\pm 0.5^\circ$ FINISH: 125 MICRO INCHES
BREAK ALL SHARP EDGES & CORNERS .002" MAX

MATERIAL: 1018 OR EQUIV. FINISH: 64



DRAWN	CABAK	--	KECK 1 DEPLOYABLE TERTIARY MIRROR
CHECKED	--	--	SWING ARM ASSEMBLY
DESIGNED	CABAK	--	TITLE
APPROVED	CABAK	--	BACK NODE
SW DOCUMENT FILE		PROJECT CODE	K1D3FD
		DWG NO	872-LM4514
		NEXT ASSY	--



PROJECT CODE		DWG NO	
K1D3FD		872-LM4514	
NEXT ASSY		C	
--		2/2	

KECK 1 DEPLOYABLE TERTIARY MIRROR
 SWING ARM ASSEMBLY
 TITLE
BACK NODE