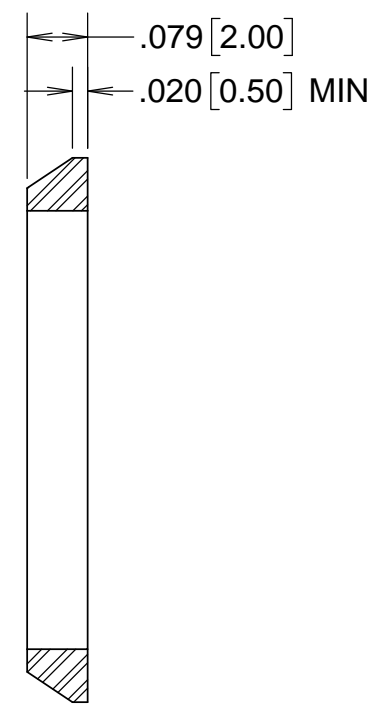
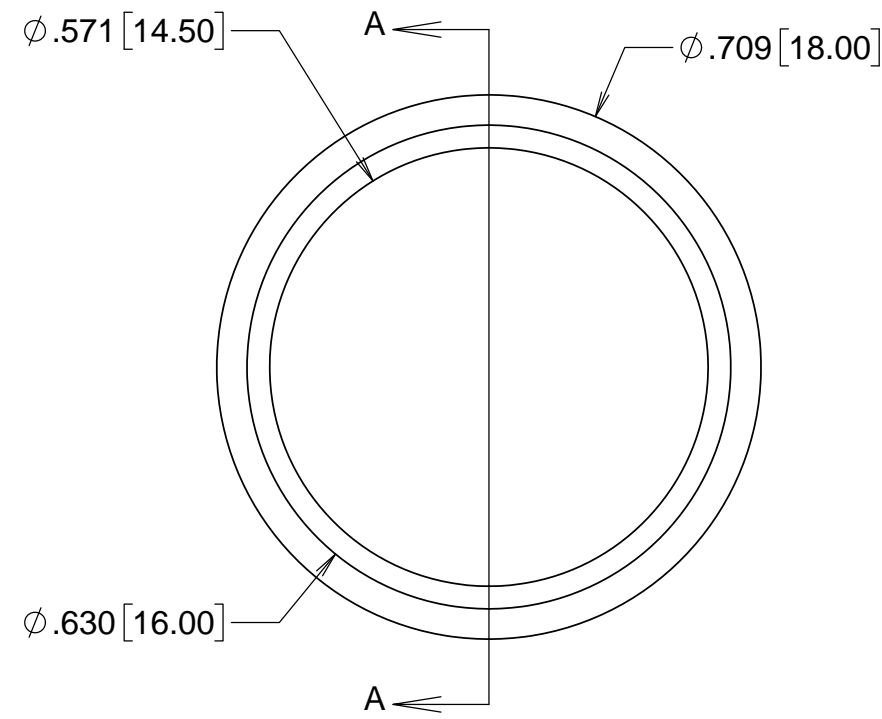


REVISIONS				
REV	DATE	DRW'N	CHCK'D	DESCRIPTION
A	1NOV17	GFC	DM	INITIAL RELEASE



SECTION A-A

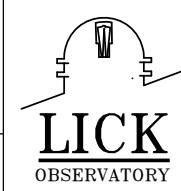
NOTES

1 CAD MODEL FILENAME, 872-LM4041 CollarRing

UNLESS OTHERWISE NOTED DIMENSIONS ARE IN INCHES & TOLERANCES ARE AS FOLLOWS

X.X: ±0.1000" X.XX: ±0.0100"
 X.XXX: ±0.0050" X.XXXX: ±0.0001"
 ANGLES: ±0.5° FINISH: 125 MICRO INCHES
 BREAK ALL SHARP EDGES
 & CORNERS .002" MAX

MATERIAL	FINISH
SST 304	--



DRAWN	CABAK	--	KECK 1 DEPLOYABLE TERTIARY MIRROR
CHECKED	--	--	MIRROR ASSEMBLY
DESIGNED	CABAK	--	TITLE
ENGINEER	CABAK	--	COLLAR RING
SW DOCUMENT FILE	1	PROJECT CODE	K1D3FD
		DWG NO	872-LM4041
		NEXT ASSY	872-LM4022
			A
			1/1