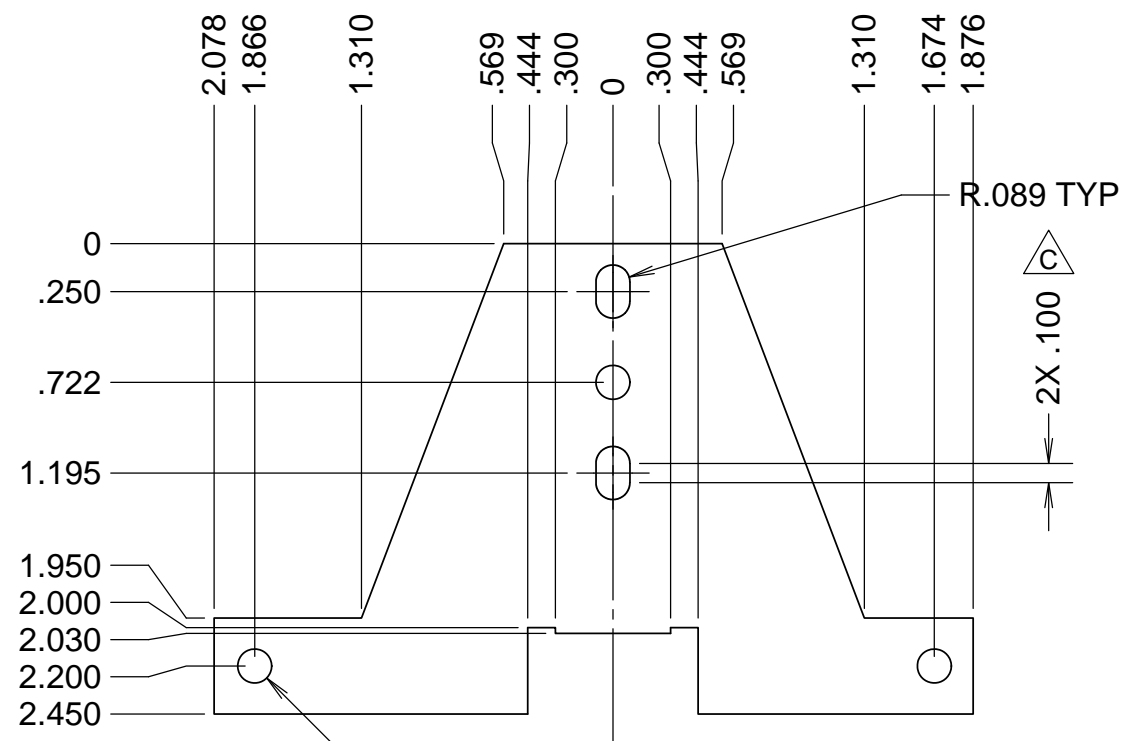
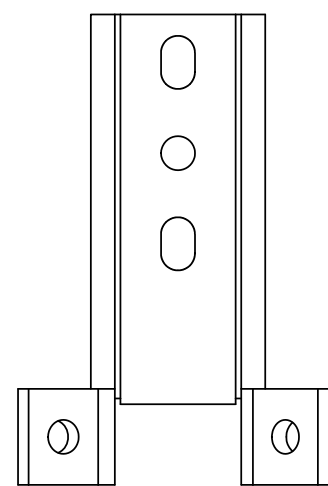
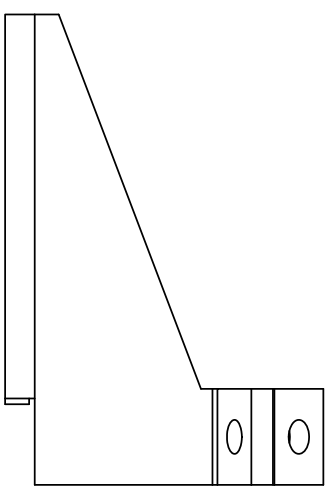
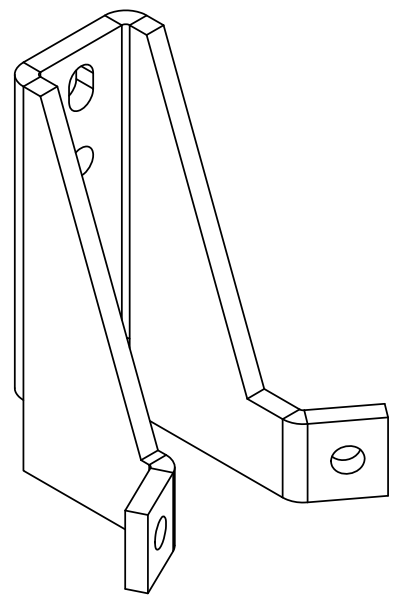
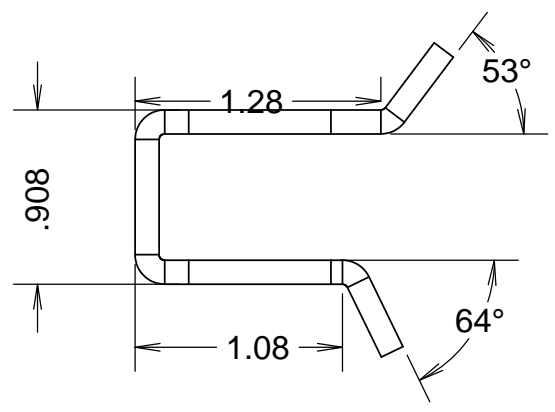


REVISIONS				
REV	DATE	DRW'N	CHCK'D	DESCRIPTION
A	11JUL16	GFC	--	INITIAL RELEASE
B	12JUL16	GFC	--	MATERIAL CORRECTION
C	02NOV16	GFC	JW	AS-BUILT



FLAT PATTERN

#8 CLEARANCE HOLE
3X ϕ .177 THRU ALL

UNLESS OTHERWISE NOTED DIMENSIONS ARE IN INCHES & TOLERANCES ARE AS FOLLOWS
 X.X: $\pm 0.1000''$ X.XX: $\pm 0.0100''$
 X.XXX: $\pm 0.0050''$ X.XXXX: $\pm 0.0001''$
 ANGLES: $\pm 0.5^\circ$ FINISH: 125 MICRO INCHES
 BREAK ALL SHARP EDGES & CORNERS .002" MAX
 MATERIAL: 5XXX/6XXX AL, 1/8" THK FINISH: 64



DRAWN	CABAK	--	KECK 1 DEPLOYABLE TERTIARY MIRROR
CHECKED	--	--	MIRROR ASSEMBLY
DESIGNED	CABAK	--	EARTHQUAKE BRACKET, TYPE 4
DRAWN	CABAK	--	
PROJECT CODE	K1D3FD		872-LM4036
PROJECT FILE	872-LM4200		
DWG NO	872-LM4036		C/1