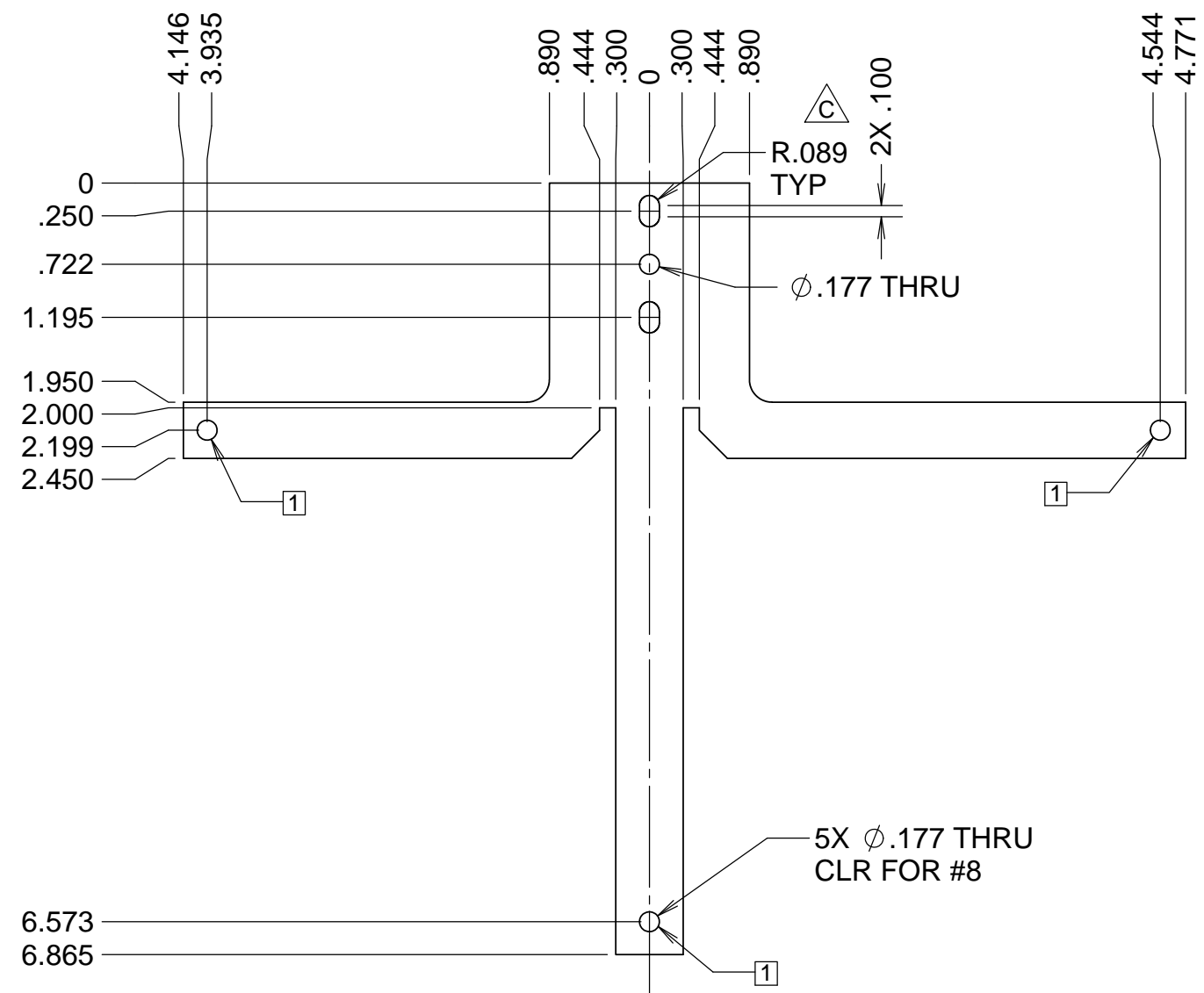
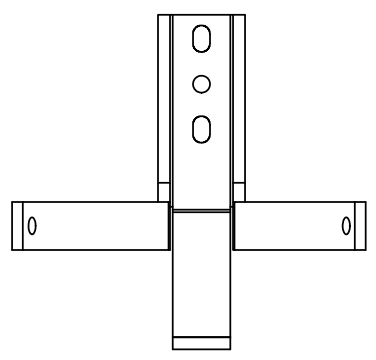
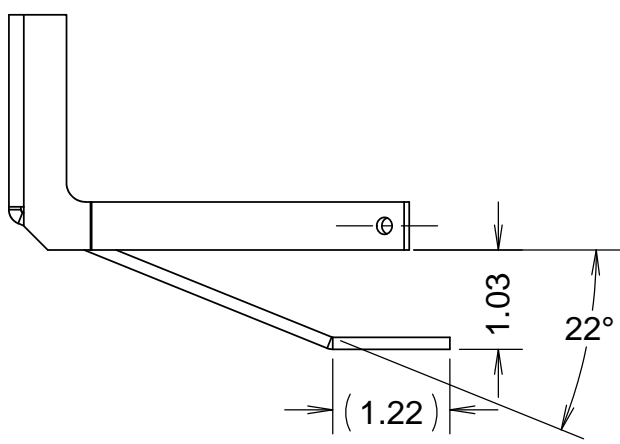
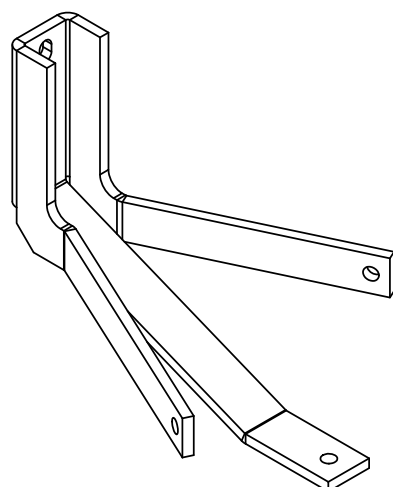
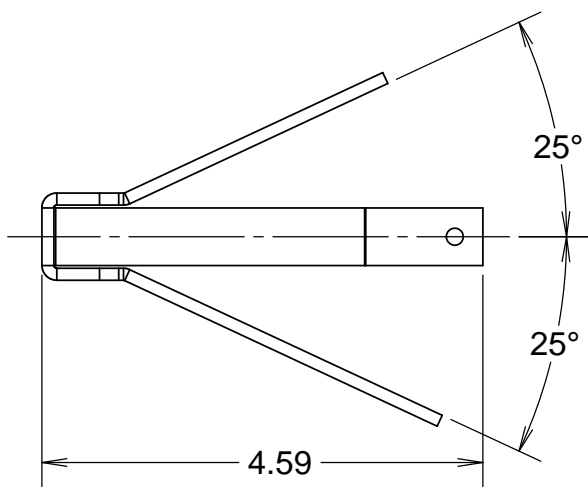


REVISIONS				
REV	DATE	DRW'N	CHCK'D	DESCRIPTION
A	08JUL16	GFC	--	INITIAL RELEASE
B	12JUL16	GFC	--	MATERIAL CORRECTION
C	02NOV16	GFC	JW	AS-BUILT



FLAT PATTERN

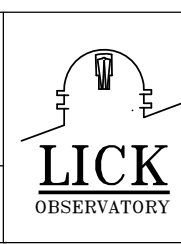
NOTES

1 HOLES CAN WAIT UNTIL FINAL FIT-UP

UNLESS OTHERWISE NOTED DIMENSIONS ARE IN INCHES & TOLERANCES ARE AS FOLLOWS

X.X: $\pm 0.1000"$	X.XX: $\pm 0.0100"$
X.XXX: $\pm 0.0050"$	X.XXXX: $\pm 0.0001"$
ANGLES: $\pm 0.5^\circ$ FINISH: 125 MICRO INCHES	
BREAK ALL SHARP EDGES & CORNERS .002" MAX	

MATERIAL	FINISH
5XXX/6XXX AL, 1/8" THK	64



DRAWN	CABAK	--	KECK 1 DEPLOYABLE TERTIARY MIRROR MIRROR ASSEMBLY
CHECKED	--	--	
DESIGNED	CABAK	--	TITLE EQ BRACKET, TYPE 3M, MIRRORED
ENGINEER	CABAK	--	
SW DOCUMENT FILE	PROJECT CODE		DWG NO
872-LM4035 EQ Bracket 3 MIRRORED	K1D3FD		872-LM4035
	NEXT ASSY		
	--		C 1/1