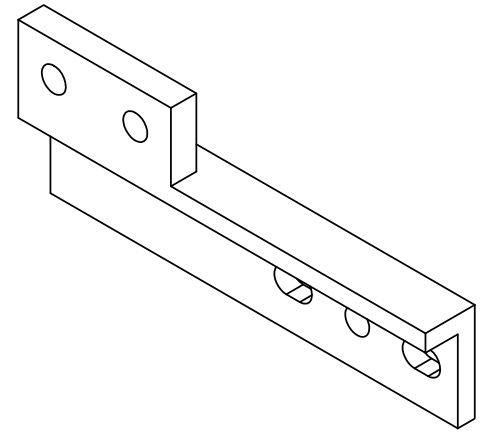
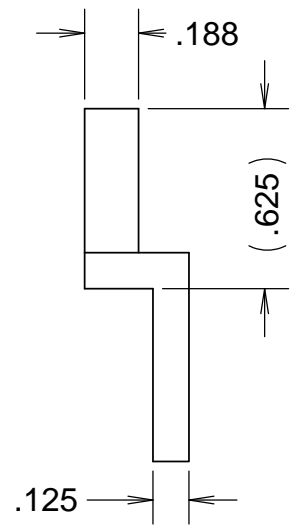
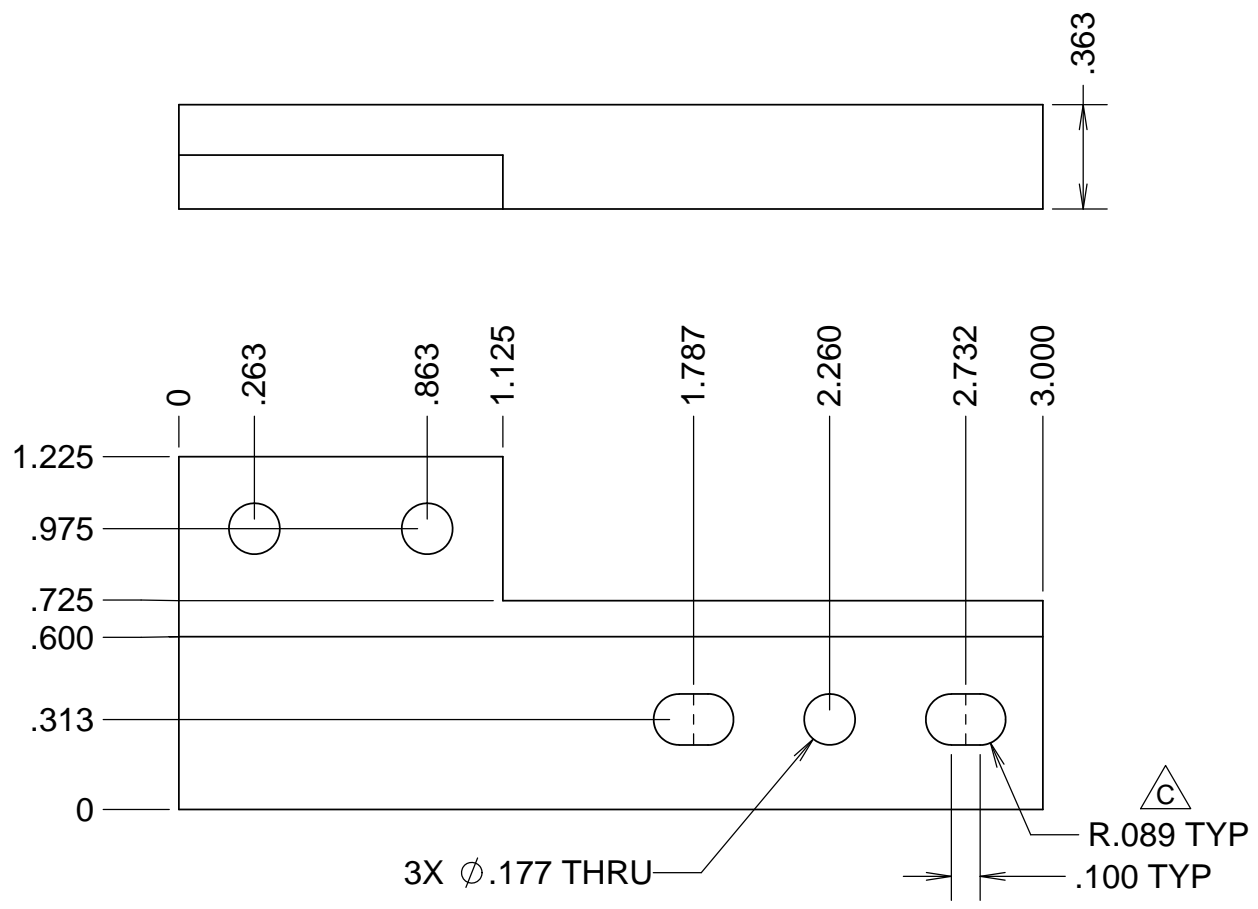


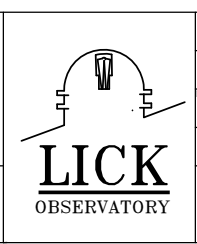
REVISIONS				
REV	DATE	DRW'N	CHCK'D	DESCRIPTION
A	08JUL16	GFC	--	INITIAL RELEASE
B	12JUL16	GFC	--	MATERIAL CORRECTION
C	02NOV16	GFC	JM	AS-BUILT



UNLESS OTHERWISE NOTED DIMENSIONS ARE IN INCHES & TOLERANCES ARE AS FOLLOWS

X.X: ±0.1000" X.XX: ±0.0100"
 X.XXX: ±0.0050" X.XXXX: ±0.0001"
 ANGLES: ±0.5° FINISH: 125 MICRO INCHES
 BREAK ALL SHARP EDGES & CORNERS .002" MAX

MATERIAL: 5XXX/6XXX AL FINISH: 64



DRAWN	CABAK	--	KECK 1 DEPLOYABLE TERTIARY MIRROR
CHECKED	--	--	MIRROR ASSEMBLY
DESIGNED	CABAK	--	TITLE EARTHQUAKE BRACKET, TYPE 2M, MIRRORED
DRAWN	CABAK	--	
SW DOCUMENT FILE	872-LM4033 EQ Bracket 2 MIRRORED		PROJECT CODE K1D3FD
			DWG NO 872-LM4033
			C 1/1