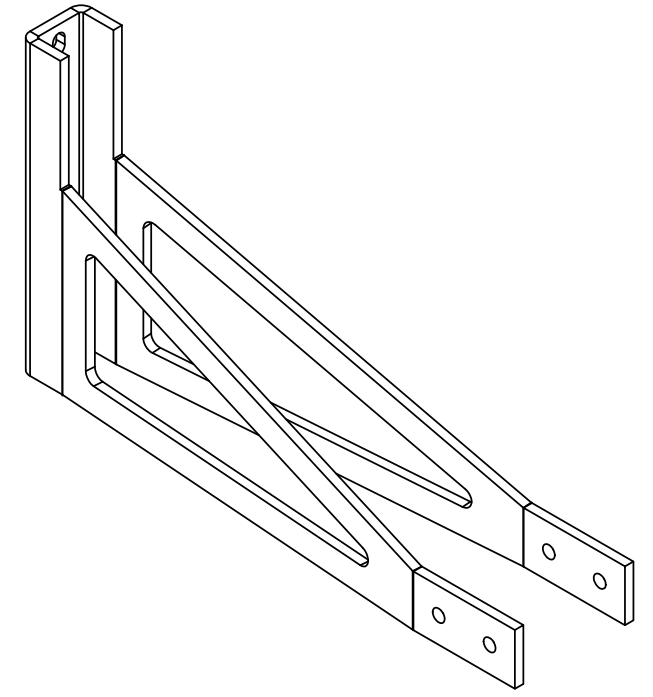
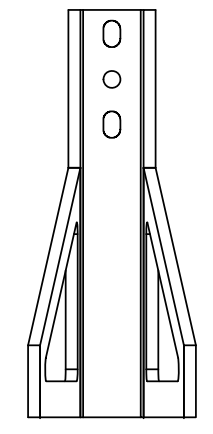
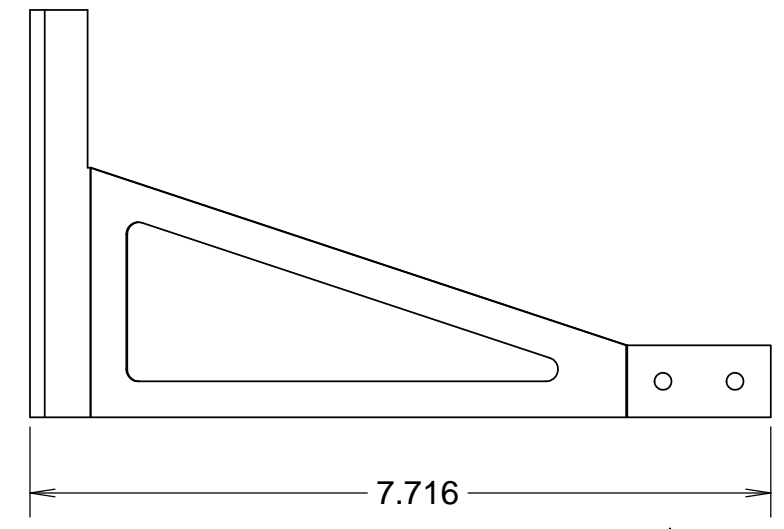
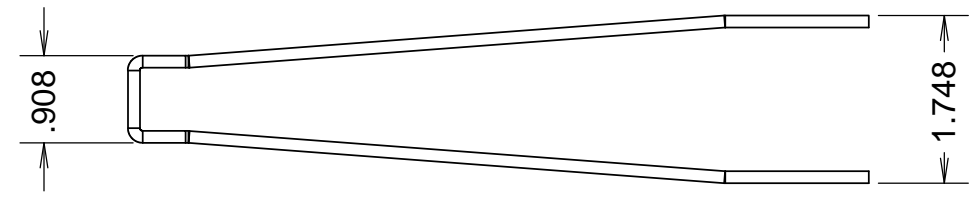


REVISIONS				
REV	DATE	DRW'N	CHCK'D	DESCRIPTION
A	06JUL16	GFC	--	INITIAL RELEASE
B	12JUL16	GFC	--	MATERIAL CORRECTION
C	02NOV16	GFC	JW	AS-BUILT



4.243
3.993
3.521
3.048
2.600

$\triangle C$ R.089 TYP

2X .100 $\triangle C$

ϕ .177 THRU ALL

4X ϕ .177 THRU ALL

R.125 TYP

(.375)

.750
.375
0

8.022
7.650
6.900

5.684

(.375)

1.424
1.299
.927
.890

0

.890
.925
1.299
1.424

5.684

6.900

7.650

8.022

FLAT PATTERN

UNLESS OTHERWISE NOTED DIMENSIONS ARE IN INCHES & TOLERANCES ARE AS FOLLOWS

X.X: $\pm 0.1000''$ X.XX: $\pm 0.0100''$
X.XXX: $\pm 0.0050''$ X.XXXX: $\pm 0.0001''$
ANGLES: $\pm 0.5^\circ$ FINISH: 125 MICRO INCHES
BREAK ALL SHARP EDGES & CORNERS .002" MAX

MATERIAL: 5XXX/6XXX AL 1/8" THK



DRAWN	CABAK	--	KECK 1 DEPLOYABLE TERTIARY MIRROR
CHECKED	--	--	MIRROR ASSEMBLY
DESIGNED	CABAK	--	TITLE
DRAWN	CABAK	--	EARTHQUAKE BRACKET, TYPE 1
SW DOCUMENT FILE	872-LM4031	PROJECT CODE	872-LM4031
	EQ Bracket 1	NEXT ASSY	872-LM4200

C
1/1