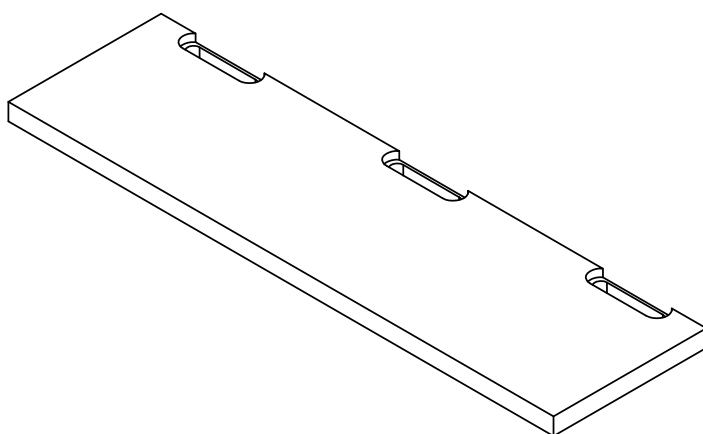
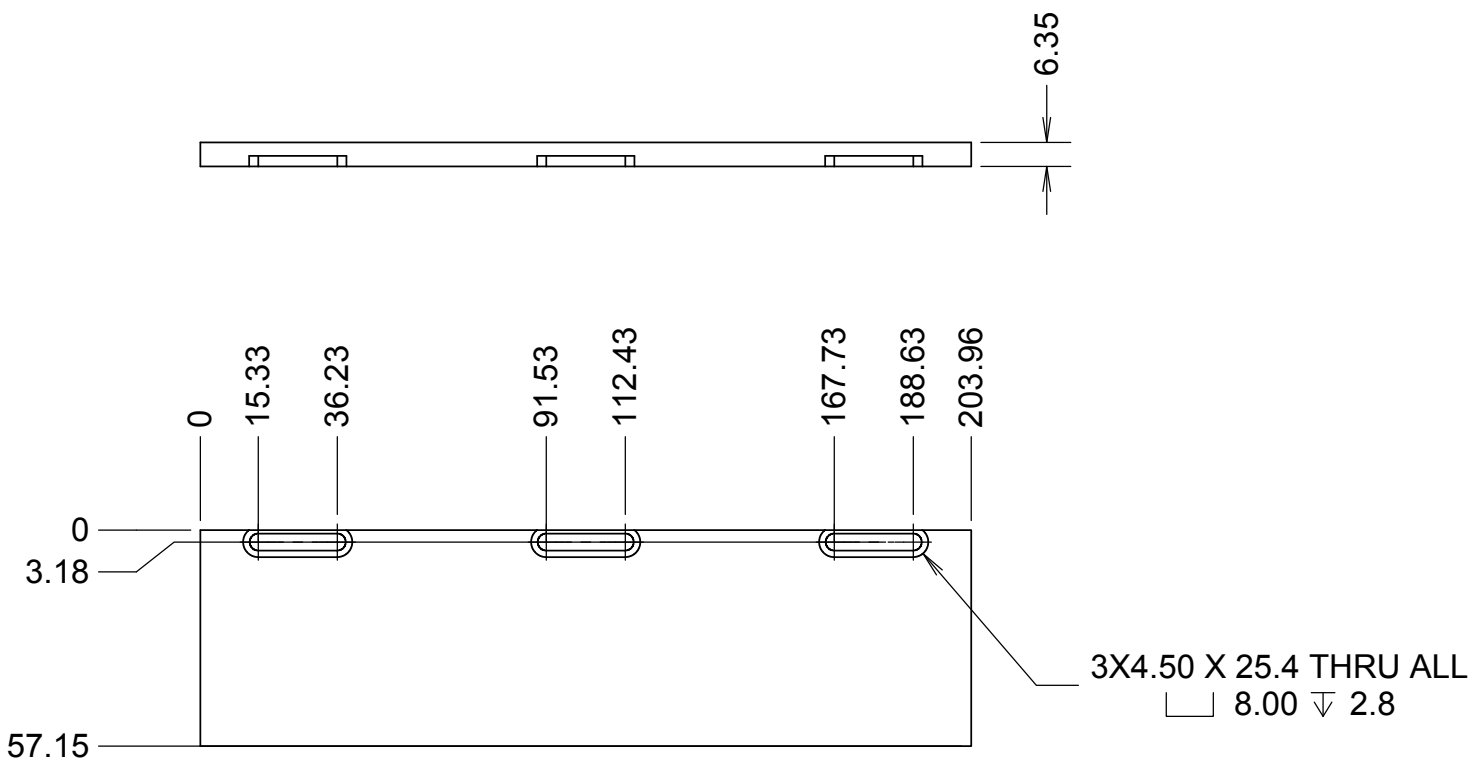


REVISIONS				
REV	DATE	DRW'N	DESCRIPTION	CHCK'D
A	1/17/2018	CR	INITIAL RELEASE	



NOTES

- 1 CAD MODEL FILENAME, 872-LM3195 Hall Effect Vertical Member
- 2 FINISH, PRIMER & PAINT UCO BEST KNOWN METHOD, BLACK
3. MATERIAL: STEEL A36 OR EQUIVALENT

UNLESS OTHERWISE NOTED DIMENSIONS ARE IN MILLIMETERS & TOLERANCES ARE AS FOLLOWS: X.X: ±0.10 mm X.XX: ±0.01 mm ANGLES: ±0.5° FINISH: 3 MICRONS (µm) BREAK ALL SHARP EDGES & CORNERS .25mm MAX			DRAWN	CR	--	KECK 1 DEPLOYABLE TERTIARY MIRROR	
			CHECKED	--	--	OUTER DRUM	
			DESIGNED	CR	--	TITLE	
			ENGINEER	CR	--	HALL EFFECT VERTICAL MEMBER	
MATERIAL	FINISH		SW DOCUMENT FILE	QUANTITY	PROJECT CODE	DWG NO	REV
SEE NOTE 3	NOTE 2		872-LM3195.SLDPRT	1	K1D3FD	872-LM3195	A
					NEXT ASSY		1