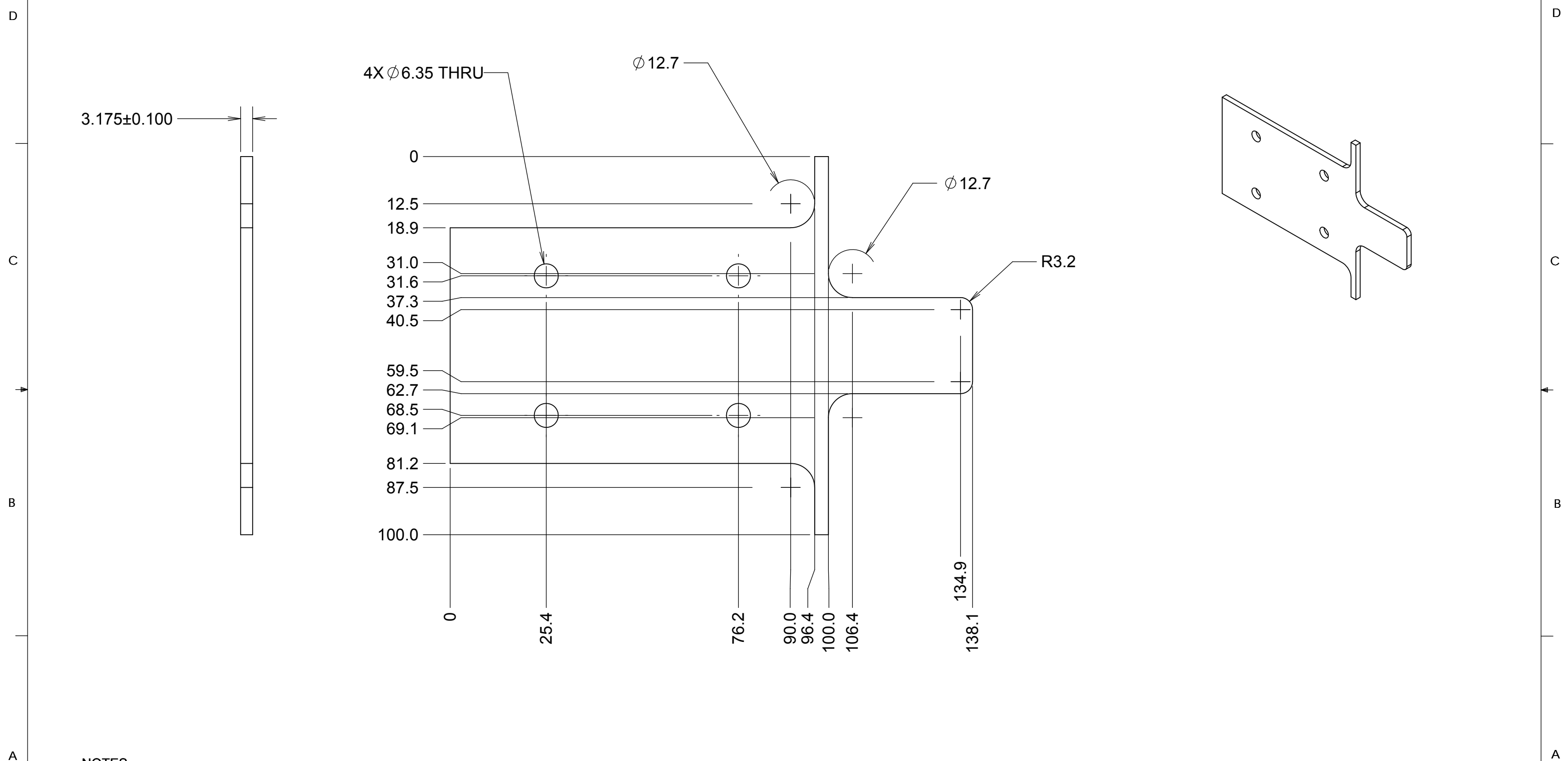


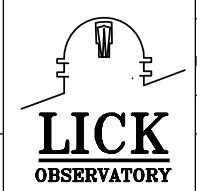
REVISIONS				
DRWN	DATE	CHK'D	REV	DESCRIPTION
CR	14DEC17		A	PRELIMINARY RELEASE



NOTES

- 1 CAD MODEL FILENAME, 872-LM3190 3.18 MILLIMETER SHIM PLATE
- 2 MATERIAL: 303, 410, 440C OR 17-4PH STAINLESS STEEL, GROUND FLAT
3. BREAK ALL SHARP EDGES
4. FLATNESS OF SHIM SHOULD BE LESS THAN .025 MM WHEN COMPRESSED BY EVEN FLATTER PLATES
5. IF IT IS DESIRED TO USE 5 INCH WIDE STOCK, THE PART CAN BE SHORTER ON THE 138.1MM SIDE

UNLESS OTHERWISE NOTED DIMENSIONS ARE IN MILLIMETERS & TOLERANCES ARE AS FOLLOWS:
 X.X: ±0.10 mm X.XX: ±0.05 mm
 ANGLES: ±0.5° FINISH: 3 MICRONS (µm)
 BREAK ALL SHARP EDGES & CORNERS .25mm MAX



DRAWN C. RATLIFF		KECK 1 DEPLOYABLE TERTIARY MIRROR	
CHECKED DC	TBD	OUTER DRUM	
DESIGNED C. RATLIFF	NA	TITLE 3.18 MM SHIM PLATE	
ENGINEER		QUANTITY 3	PROJECT CODE K1D3FD
MATERIAL SEE NOTES	FINISH	872-LM3190 3.18 MM SHIM PLATE	DWG NO 872-LM0000
			REV A