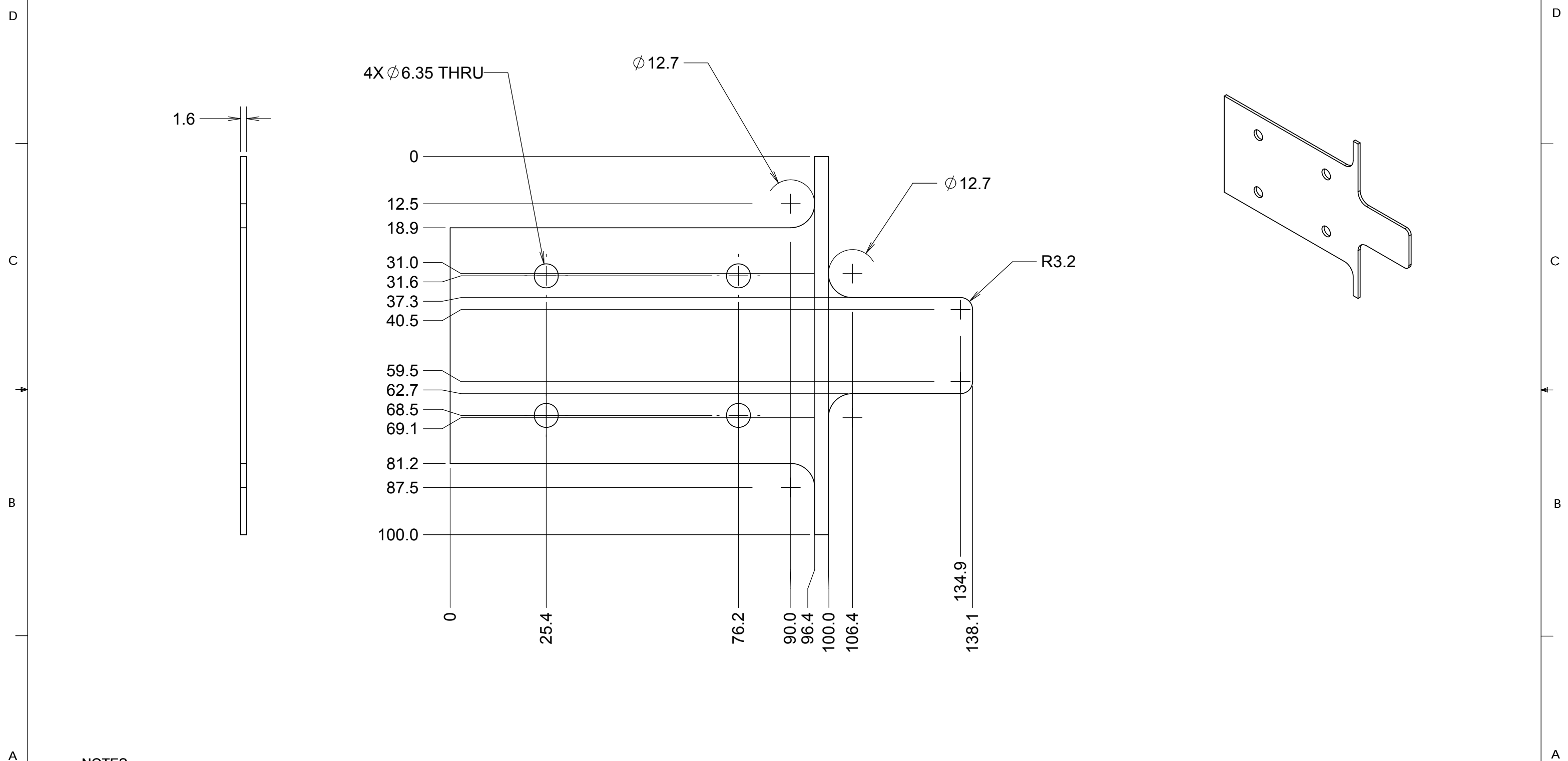


REVISIONS				
DRWN	DATE	CHK'D	REV	DESCRIPTION
CR	14DEC17		A	PRELIMINARY RELEASE

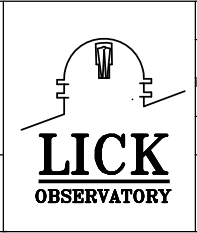


NOTES

- 1 CAD MODEL FILENAME, 872-LM3189 1.59 MILLIMETER SHIM PLATE
- 2 MATERIAL: 303, 410, 440C OR 17-4PH STAINLESS STEEL
- 3. BREAK ALL SHARP EDGES
- 4. FLATNESS OF SHIM SHOULD BE LESS THAN .025 MM WHEN COMPRESSED BY EVEN FLATTER PLATES

UNLESS OTHERWISE NOTED DIMENSIONS ARE IN MILLIMETERS & TOLERANCES ARE AS FOLLOWS:
 X.X: ±0.10 mm X.XX: ±0.05 mm
 ANGLES: ±0.5° FINISH: 3 MICRONS (µm)
 BREAK ALL SHARP EDGES & CORNERS .25mm MAX

MATERIAL	FINISH
STAINLESS STEEL	



DRAWN C. RATLIFF		KECK 1 DEPLOYABLE TERTIARY MIRROR	
CHECKED DC	TBD	OUTER DRUM	
DESIGNED C. RATLIFF	NA	TITLE 2MM SHIM PLATE	
ENGINEER		QUANTITY 4	REV A
SW DOCUMENT FILE 872-LM3189 2MM SHIM PLATE	PROJECT CODE K1D3FD	DWG NO 872-LM0000	
		872-LM3189	