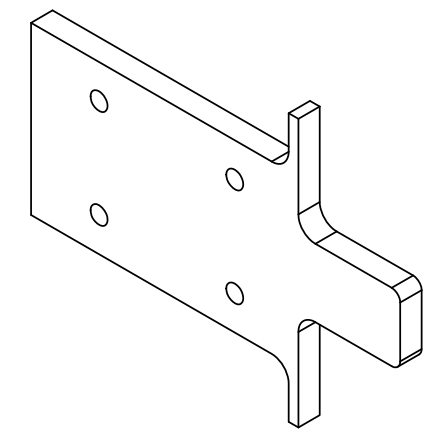
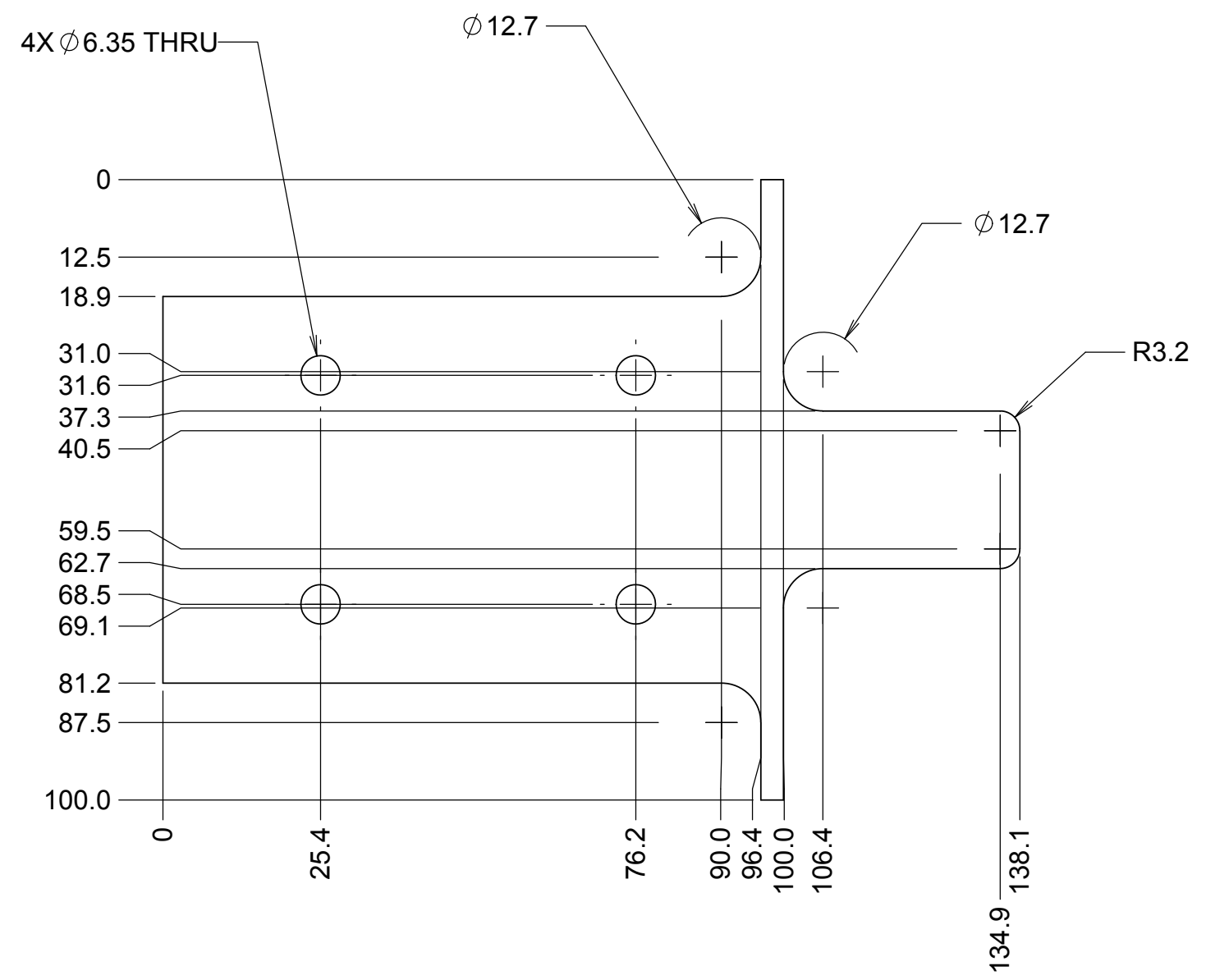
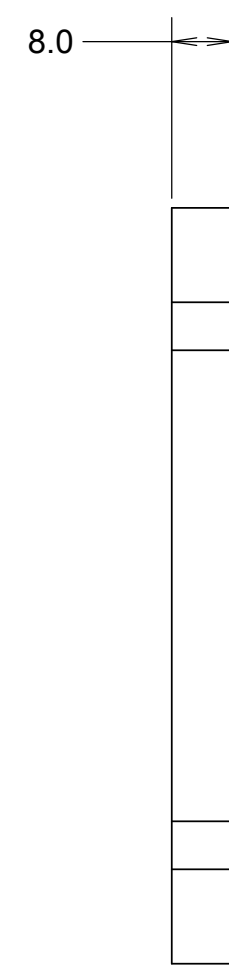


REVISIONS				
DRWN	DATE	CHK'D	REV	DESCRIPTION
CR	4 DEC 17		A	PRELIMINARY RELEASE
CR	6 DEC 17		B	ADDED HOLES AND RADIUS INSIDE CORNER FOR CNC

D
C
B
A

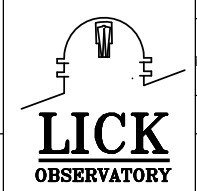
D
C
B
A



NOTES

- CAD MODEL FILENAME, 872-LM3187 PEEL-ABLE SHIM PLATE C
- MATERIAL: STAINLESS STEEL, ANY PEEL THICKNESS UNDER 0.010 INCHES IS FINE
- BREAK ALL SHARP EDGES
- FLATNESS OF SHIM SHOULD BE LESS THAN .025 MM WHEN COMPRESSED BY EVEN FLATTER PLATES

UNLESS OTHERWISE NOTED DIMENSIONS ARE IN MILLIMETERS & TOLERANCES ARE AS FOLLOWS:
 X.X: \pm 0.10 mm X.XX: \pm 0.05 mm
 ANGLES: \pm 0.5° FINISH: 3 MICRONS (μ m)
 BREAK ALL SHARP EDGES & CORNERS .25mm MAX



MATERIAL	FINISH
SEE NOTES	

DRAWN C. RATLIFF		KECK 1 DEPLOYABLE TERTIARY MIRROR	
CHECKED DM	TBD	OUTER DRUM	
DESIGNED C. RATLIFF	NA	TITLE PEEL-ABLE SHIM PLATE C	
ENGINEER		PROJECT CODE K1D3FD	DWG NO 872-LM3187
SW DOCUMENT FILE 872-LM3187 PEEL-ABLE SHIM PLATE C	QUANTITY 6	NEXT ASSY 872-LM0000	REV A 1/1

8 7 6 5 4 3 2 1