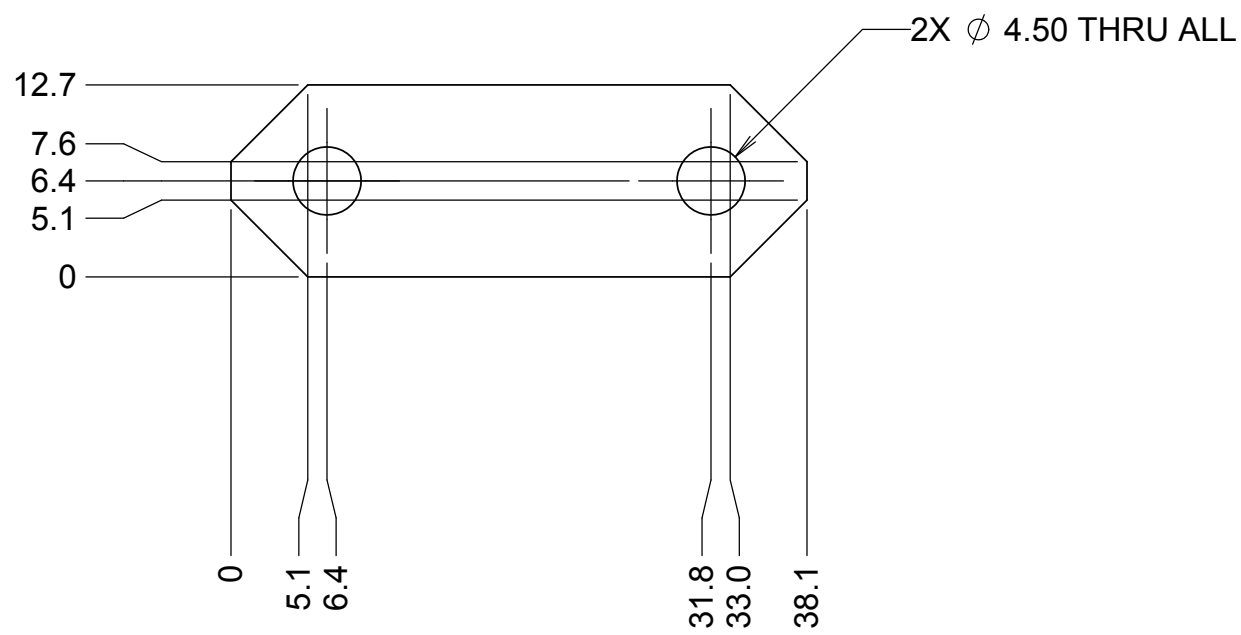
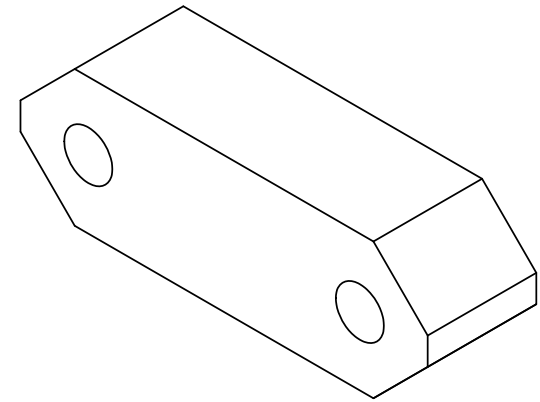


REVISIONS				
DRWN	DATE	CHK'D	REV	DESCRIPTION
CR	15NOV17		A	PRELIMINARY RELEASE



NOTES

- 1 CAD MODEL FILENAME, 872-LM3185 Snap Switch Spacer
- 2 MATERIAL: 6061 T6 ALUMINUM
- 3. BREAK ALL SHARP EDGES

UNLESS OTHERWISE NOTED DIMENSIONS ARE IN MILLIMETERS & TOLERANCES ARE AS FOLLOWS:
 X.X: ±0.10 mm X.XX: ±0.05 mm
 ANGLES: ±0.5° FINISH: 3 MICRONS (µm)
 BREAK ALL SHARP EDGES & CORNERS .25mm MAX



DRAWN C. RATLIFF CHECKED DM	TDB	KECK 1 DEPLOYABLE TERTIARY MIRROR	
DESIGNED C. RATLIFF ENGINEER	NA	TITLE SNAP SWITCH SPACER	
SW DOCUMENT FILE 872-LM3185 SNAP SWITCH SPACER	QUANTITY 1	PROJECT CODE K1D3FD NEXT ASSY 872-LM0000	DWG NO 872-LM3185
MATERIAL SEE NOTES	FINISH	REV A	1