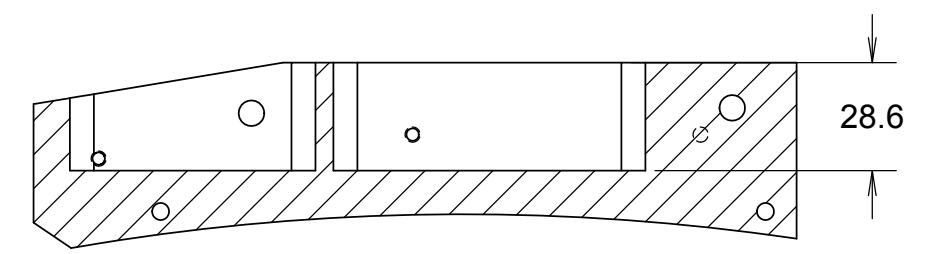
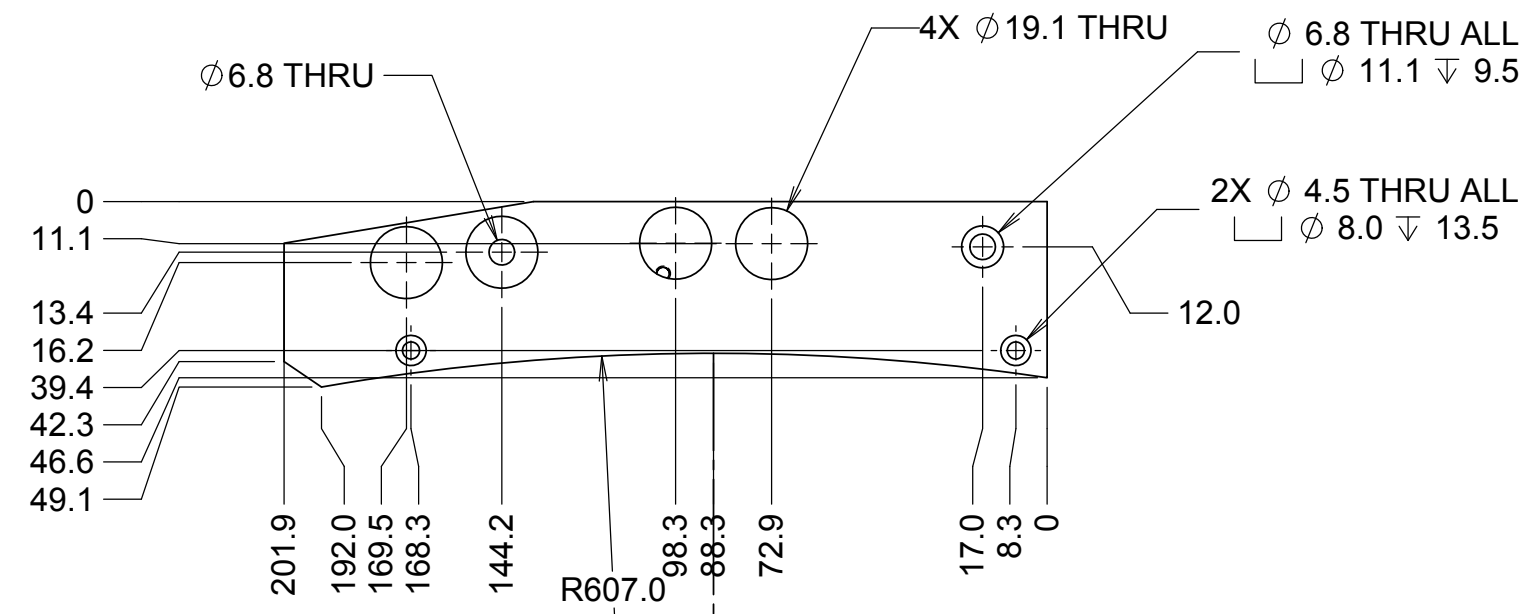
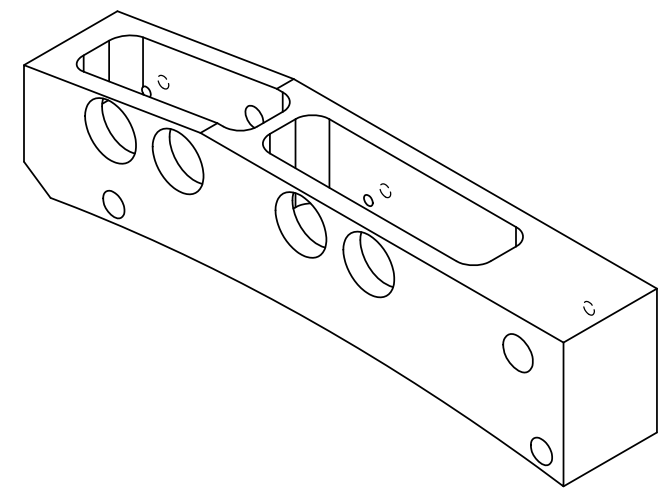
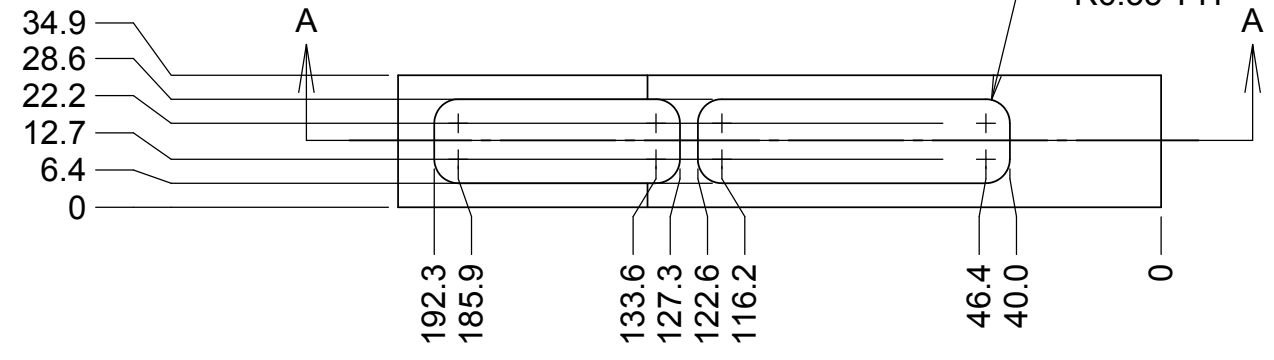
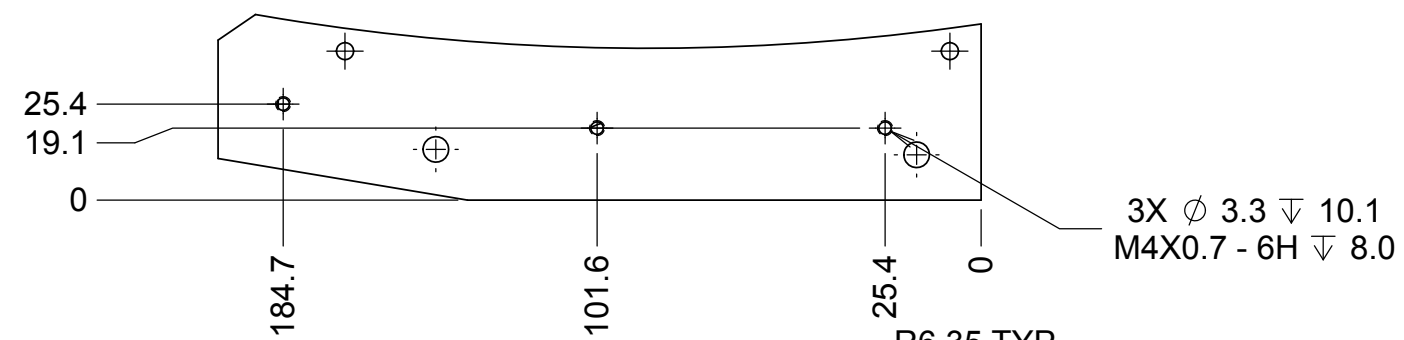


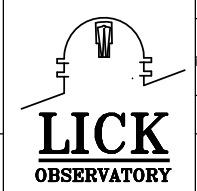
REVISIONS				
DRWN	DATE	CHK'D	REV	DESCRIPTION
CR	15NOV17		A	PRELIMINARY RELEASE



SECTION A-A

- NOTES**
- CAD MODEL FILENAME, 872-LM3184 Outer Drum Switch Mount
  - MATERIAL: 6061 T6 ALUMINUM
  - BREAK ALL SHARP EDGES
  - PAINT BLACK WITH BEST KNOWN METHODS AFTER FIT CHECK

UNLESS OTHERWISE NOTED DIMENSIONS ARE IN MILLIMETERS & TOLERANCES ARE AS FOLLOWS:  
 X.X: ±0.10 mm X.XX: ±0.05 mm  
 ANGLES: ±0.5° FINISH: 3 MICRONS (µm)  
 BREAK ALL SHARP EDGES & CORNERS .25mm MAX



DRAWN <b>C. RATLIFF</b>		KECK 1 DEPLOYABLE TERTIARY MIRROR	
CHECKED <b>DC</b>	TBD	<b>OUTER DRUM</b>	
DESIGNED <b>C. RATLIFF</b>	NA	TITLE <b>OUTER DRUM SWITCH MOUNT</b>	
ENGINEER		PROJECT CODE <b>K1D3FD</b>	DWG NO <b>872-LM0000</b>
MATERIAL SEE NOTES	FINISH	SW DOCUMENT FILE 872-LM3184 Outer Drum Switch Mount	QUANTITY <b>1</b>
		REV <b>A</b>	<b>872-LM3184</b>