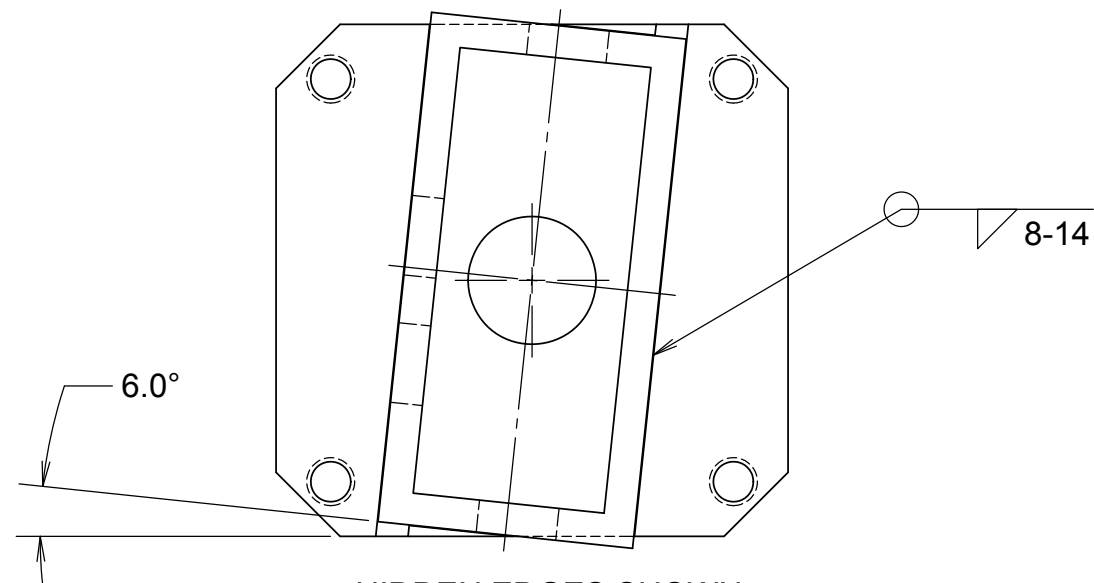
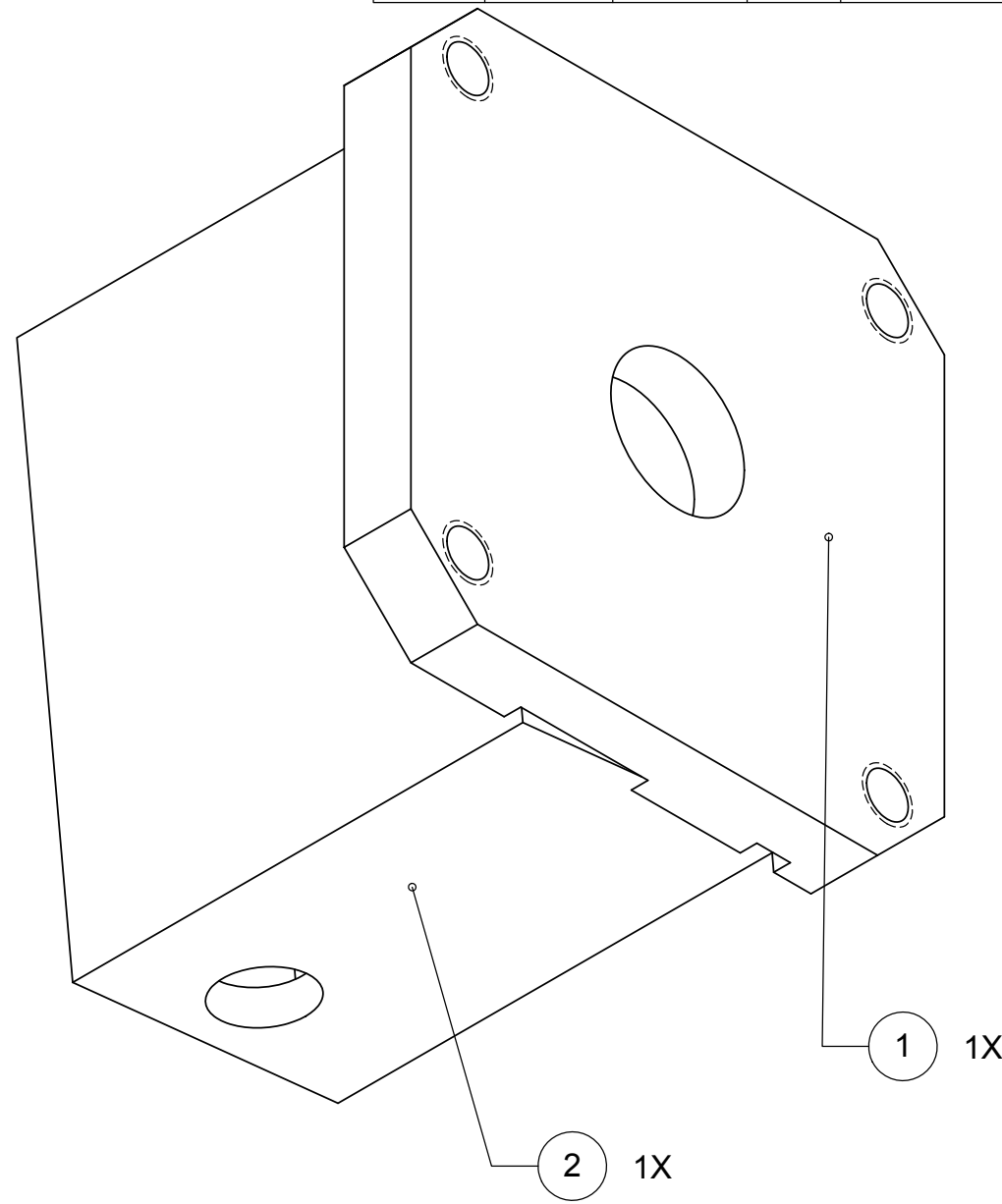
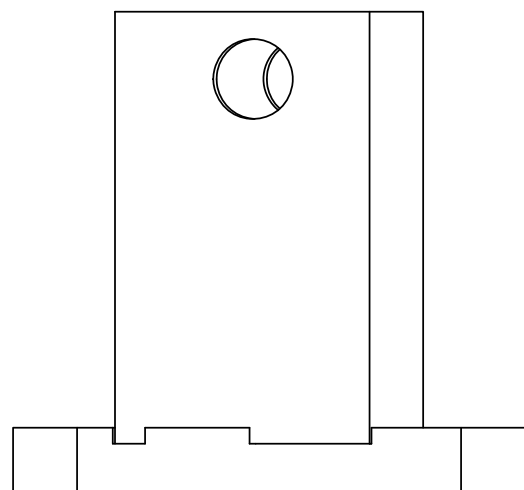


ITEM NO.	QTY.	DESCRIPTION	PARTNUMBER
1	1	ALUMINUM 6061 T6 1/2 INCH PLATE	872-LM3181-1
2	1	4 x 2 Rect x .250 Wall	872-LM3181-2

REVISIONS				
DRWN	DATE	CHK'D	REV	DESCRIPTION
CR	6OCT17		A	PRELIMINARY RELEASE
CR	5DEC2017		B	RECESS IN BASE PLATE FOR WELDER
CR	14DEC2017		C	ADDED VIEWS



HIDDEN EDGES SHOWN



**NOTES**

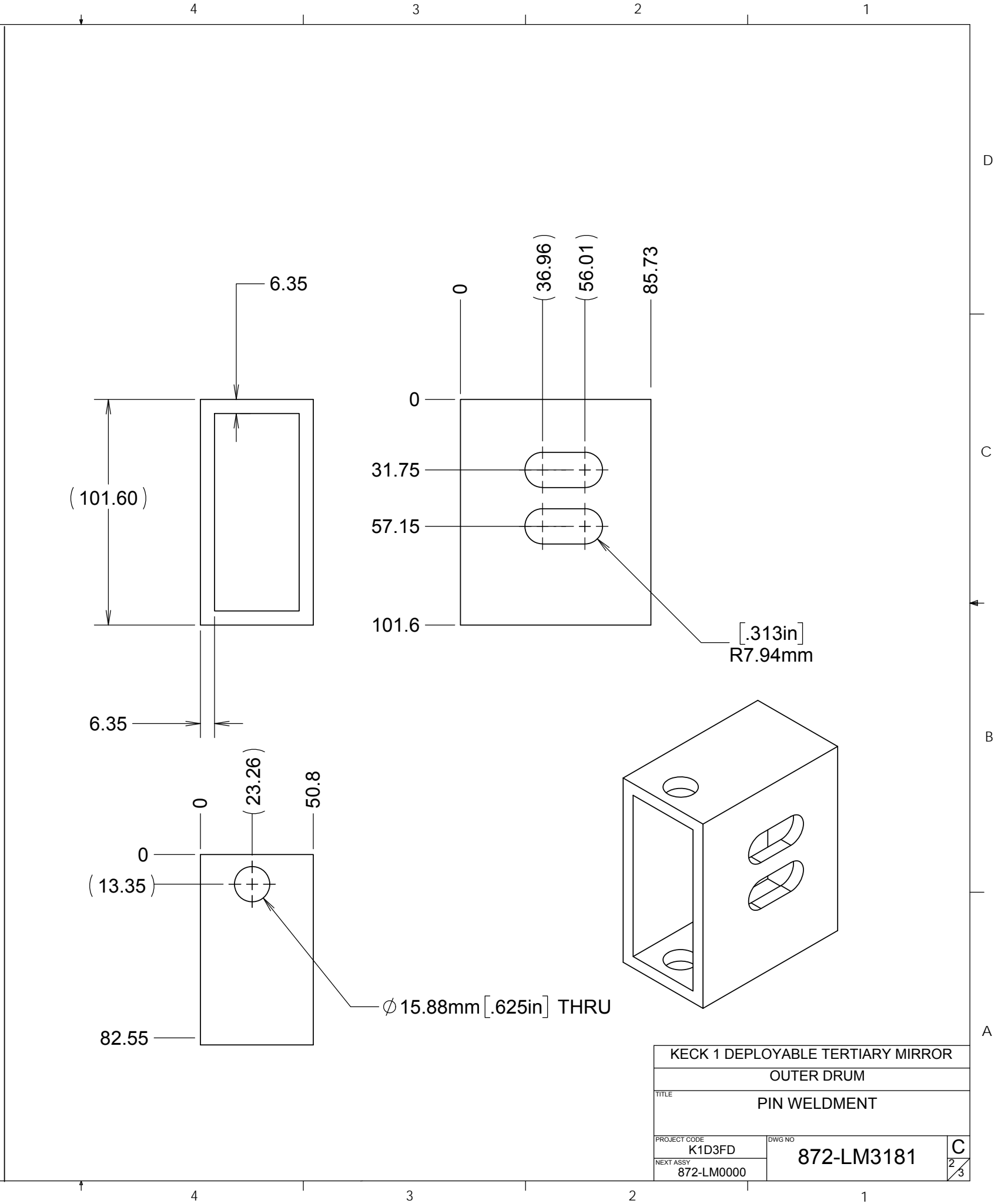
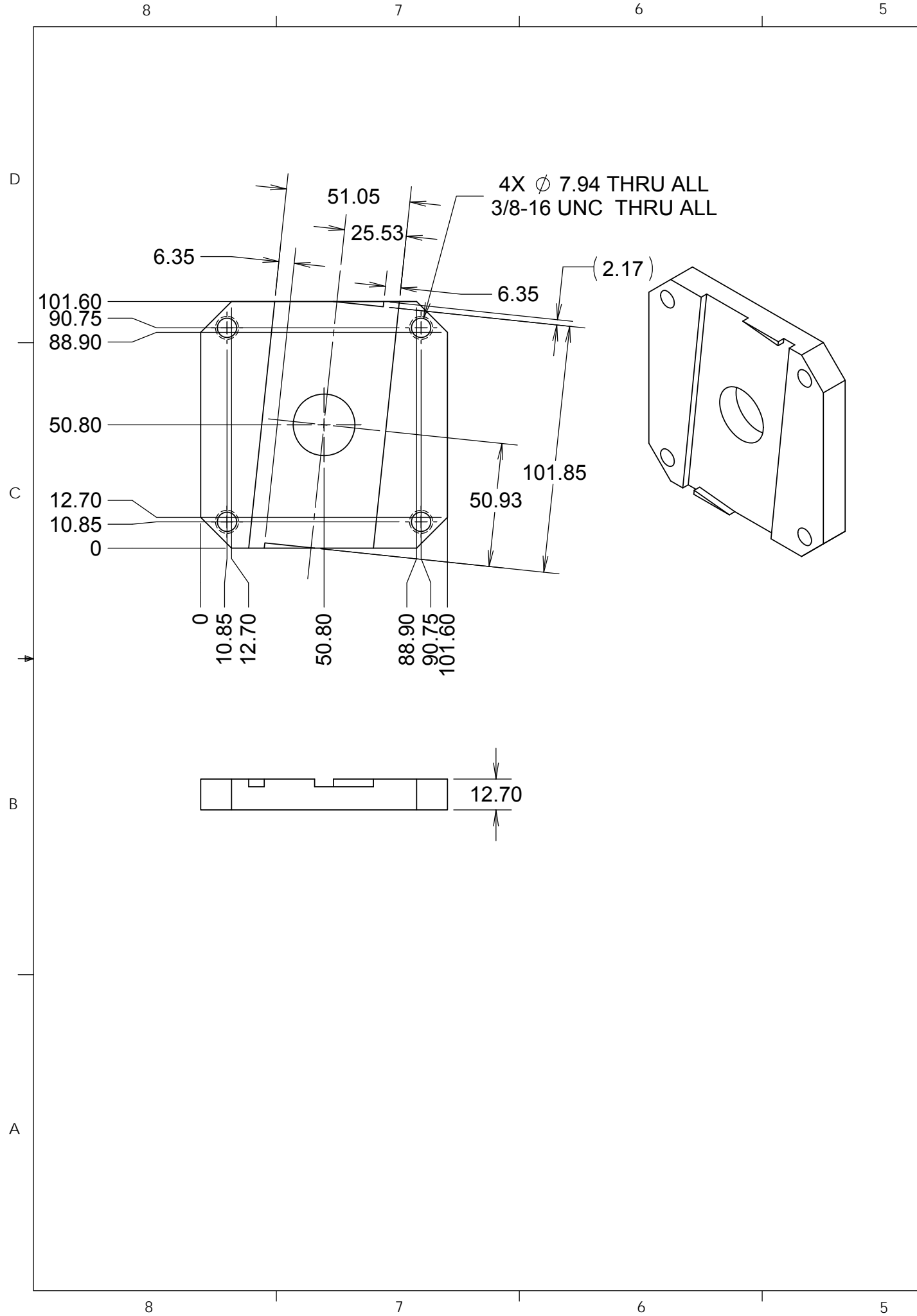
- 1 CAD MODEL FILENAME, 872-LM3181Pin Weldment
- 2 MATERIAL: 6061 T6 ALUMINUM
3. BREAK ALL SHARP EDGES
4. RECTANGULAR ALUMINUM TUBE SHOULD BE CENTERED ON CENTRAL HOLE IN ITEM 1 AND ROTATED 6 DEGREES AS SHOWN ABOVE
5. WELD FULL PERIMETER OF RECTANGULAR TUBING WITH BEST KNOWN METHODS, STITCH WELDING IS OK
6. PAINT BLACK WITH BEST KNOWN METHODS AFTER FIT CHECK

UNLESS OTHERWISE NOTED DIMENSIONS ARE IN MILLIMETERS & TOLERANCES ARE AS FOLLOWS:  
 X.X: ±0.10 mm X.XX: ±0.05 mm  
 ANGLES: ±0.5° FINISH: 3 MICRONS (µm)  
 BREAK ALL SHARP EDGES & CORNERS .25mm MAX



DRAWN <b>C. RATLIFF</b>		KECK 1 DEPLOYABLE TERTIARY MIRROR	
CHECKED <b>DM</b>	TBD	OUTER DRUM	
DESIGNED <b>C. RATLIFF</b>	NA	TITLE PIN WELDMENT	
ENGINEER			
MATERIAL SEE NOTES	FINISH	SW DOCUMENT FILE 872-LM 3181 Pin Weldment	QUANTITY <b>1</b>
		PROJECT CODE <b>K1D3FD</b>	DWG NO <b>872-LM0000</b>
			REV <b>C</b>
			<b>1</b> / <b>3</b>

872-LM3181



KECK 1 DEPLOYABLE TERTIARY MIRROR	
OUTER DRUM	
TITLE PIN WELDMENT	
PROJECT CODE K1D3FD	DWG NO 872-LM3181
NEXT ASSY 872-LM0000	<b>C</b> 2/3

8 7 6 5 4 3 2 1

D

D

C

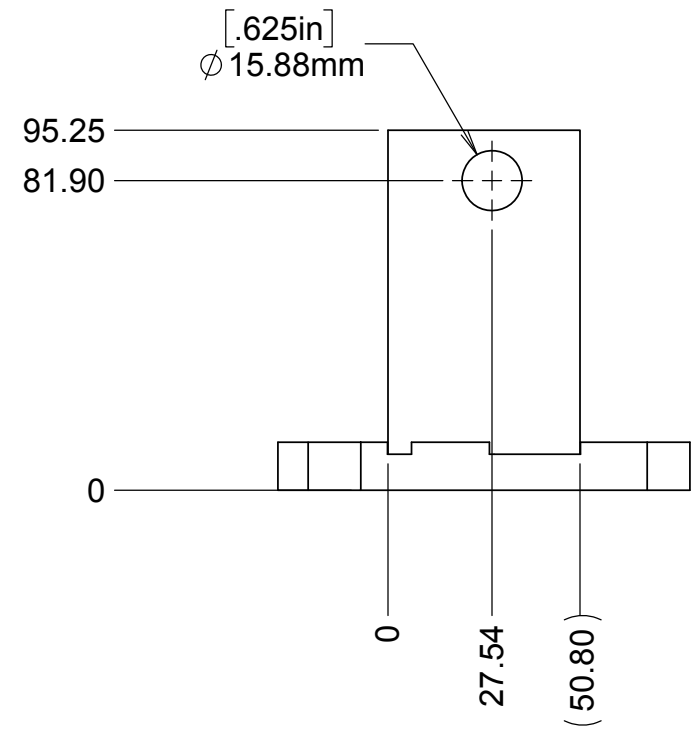
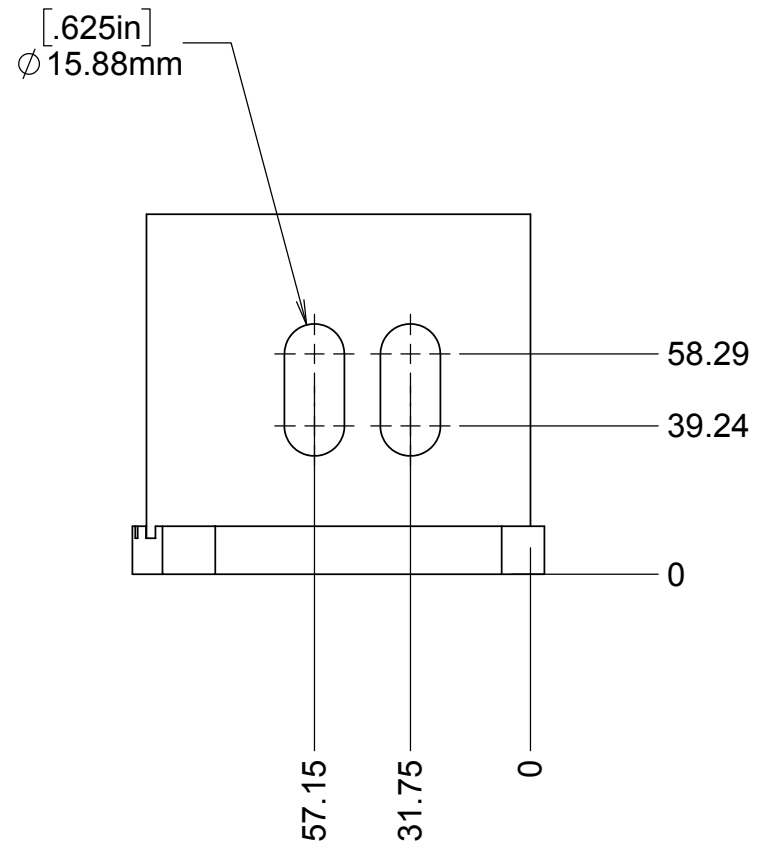
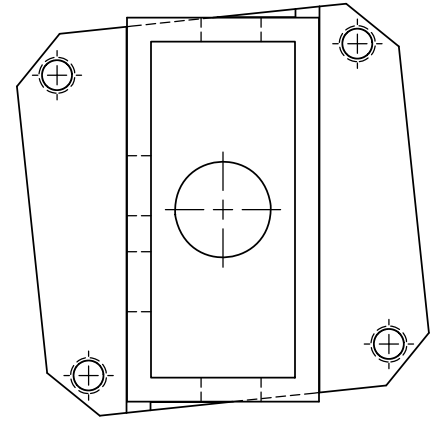
C

B

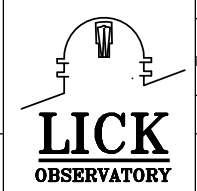
B

A

A



UNLESS OTHERWISE NOTED DIMENSIONS ARE IN MILLIMETERS & TOLERANCES ARE AS FOLLOWS:  
 X.X: ±0.10 mm X.XX: ±0.01 mm  
 ANGLES: ±0.5° FINISH: 3 MICRONS (µm)  
 BREAK ALL SHARP EDGES & CORNERS .25mm MAX



MATERIAL: SEE NOTES  
 FINISH:

DRAWN: C. RATLIFF  
 CHECKED: DM  
 DESIGNED: C. RATLIFF  
 ENGINEER:

TBD  
 NA

KECK 1 DEPLOYABLE TERTIARY MIRROR  
 OUTER DRUM  
 TITLE: PIN WELDMENT

SW DOCUMENT FILE: 872-LM 3181 Pin Weldment

QUANTITY: 1

PROJECT CODE: K1D3FD  
 NEXT ASSY: 872-LM0000

DWG NO: 872-LM3181

REV: C  
 3/3

8 7 6 5 4 3 2 1