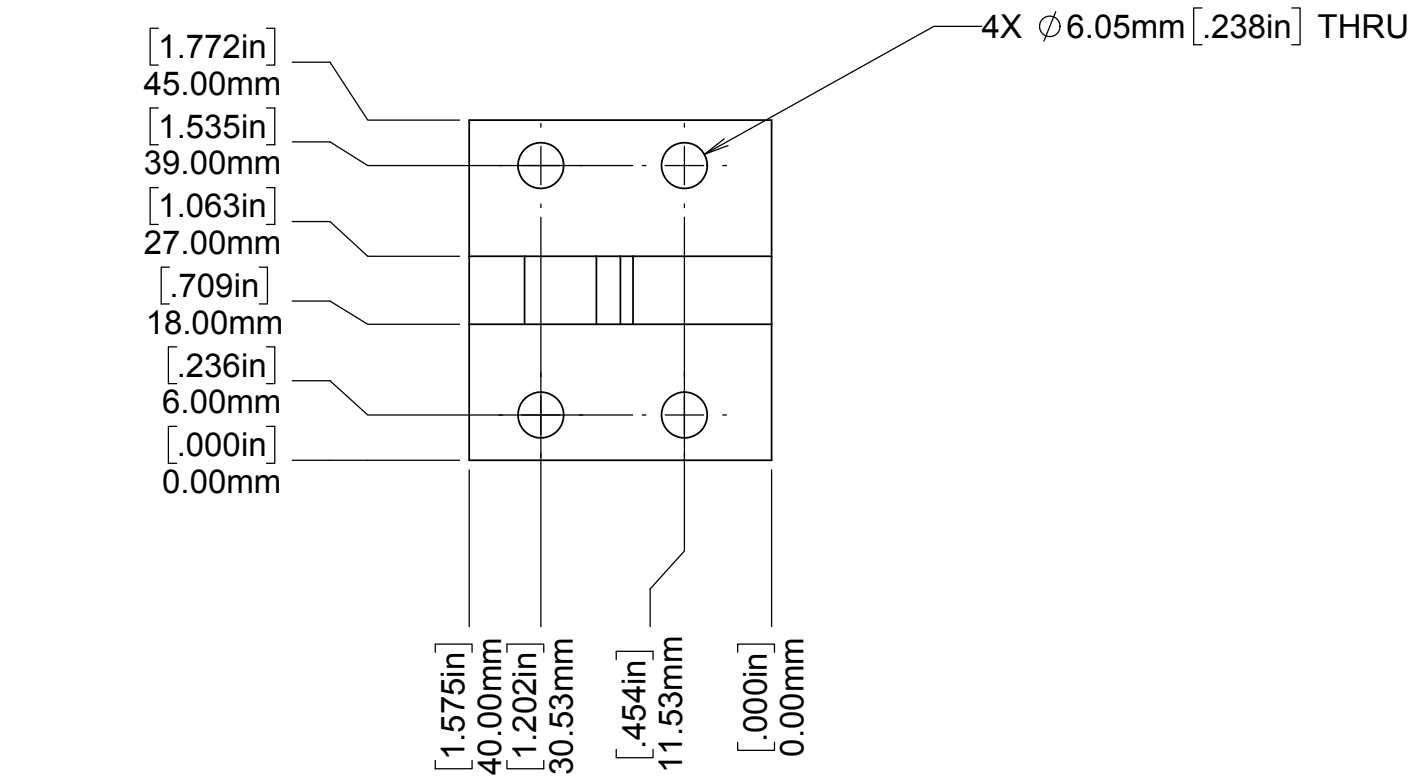
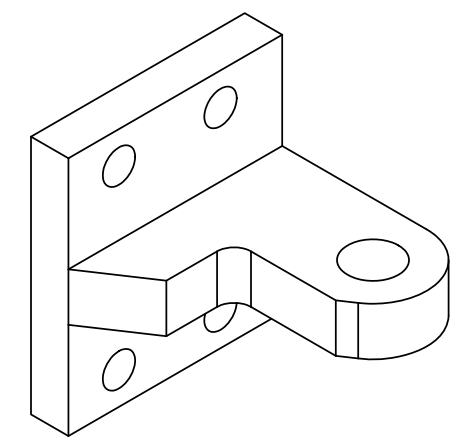
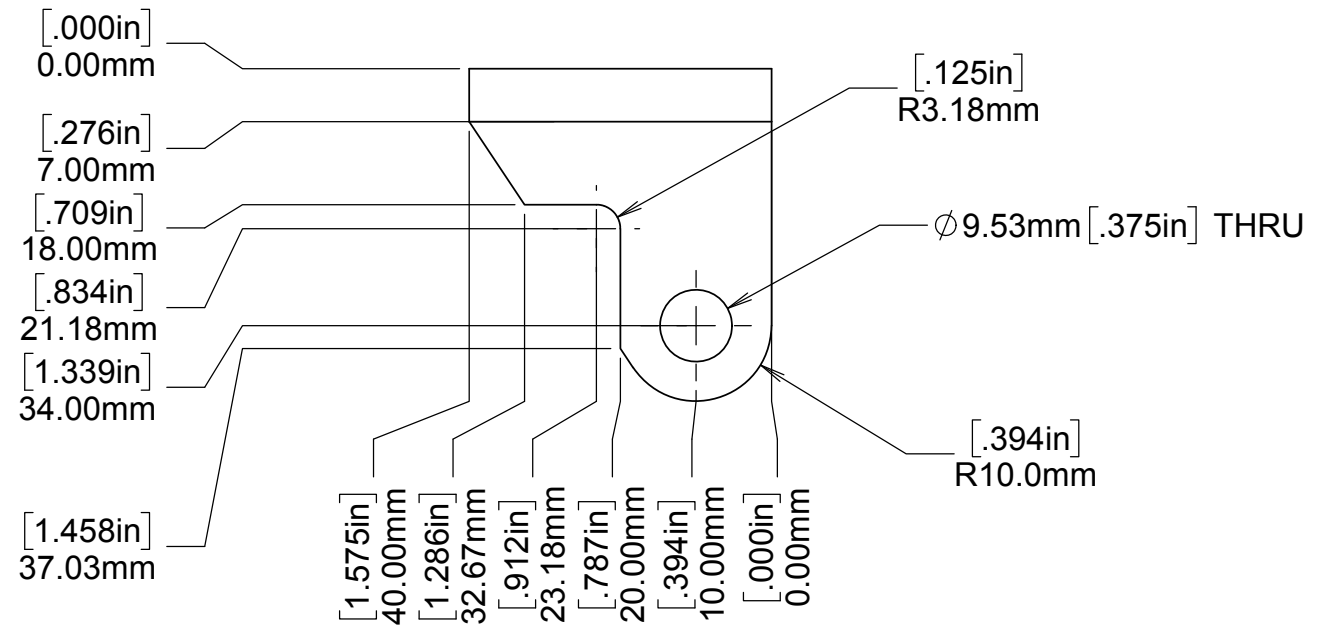



REVISIONS				
DRWN	DATE	CHK'D	REV	DESCRIPTION
CR	25APR2017		A	PRELIMINARY RELEASE



NOTES:
1. MATERIAL: 4130 OR STRONGER STEEL

UNLESS OTHERWISE NOTED DIMENSIONS ARE IN MILLIMETERS & TOLERANCES ARE AS FOLLOWS: X.X: ±0.10 mm X.XX: ±0.01 mm ANGLES: ±0.5° FINISH: 3 MICRONS (µm) BREAK ALL SHARP EDGES & CORNERS .25mm MAX			DRAWN C. RATLIFF	KECK 1 DEPLOYABLE TERTIARY MIRROR	
MATERIAL SEE NOTES			FINISH	CHECKED J. WARD	TBD
			DESIGNED C. RATLIFF	4/25/17	TITLE PIVOT BRACKET
			ENGINEER		
			SW DOCUMENT FILE 872-LM3165	QUANTITY 1	PROJECT CODE K1D3FD NEXT ASSY 872-LM3109
					DWG NO 872-LM3165
					REV A 1/1