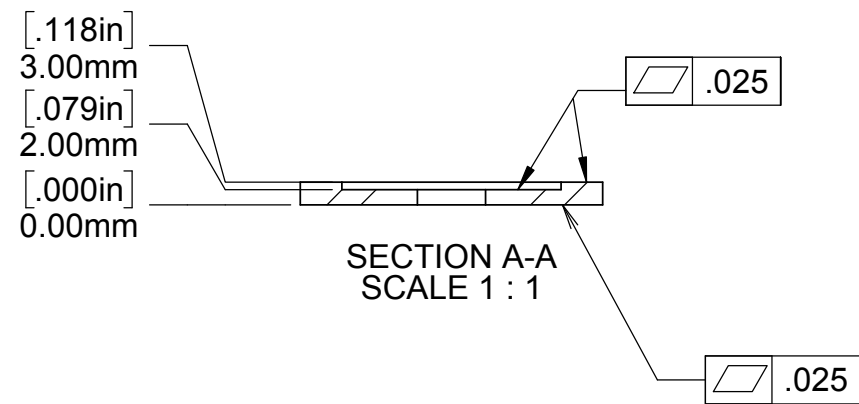
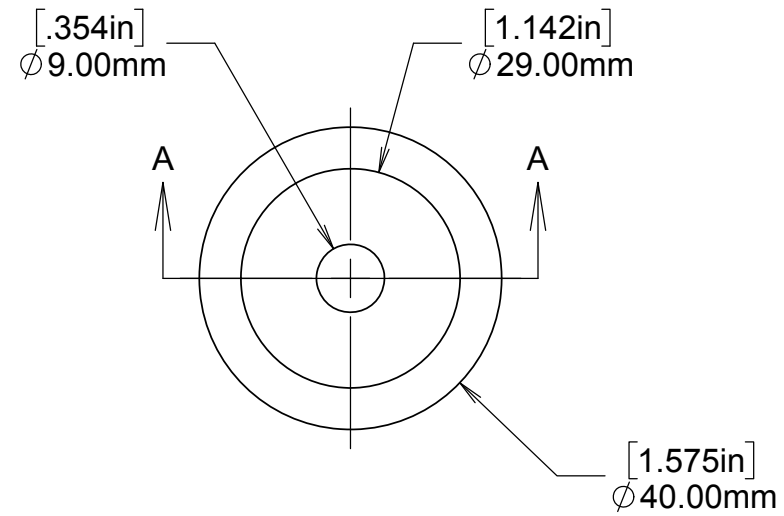


REVISIONS				
DRWN	DATE	CHK'D	REV	DESCRIPTION
CR	12APR2017		A	PRELIMINARY RELEASE



NOTES:
1. MATERIAL: 300 SERIES STAINLESS STEEL

UNLESS OTHERWISE NOTED DIMENSIONS ARE IN MILLIMETERS & TOLERANCES ARE AS FOLLOWS:
X.X: ±0.10 mm X.XX: ±0.01 mm
ANGLES: ±0.5° FINISH: 3 MICRONS (µm)
BREAK ALL SHARP EDGES & CORNERS .25mm MAX



DRAWN C. RATLIFF		KECK 1 DEPLOYABLE TERTIARY MIRROR	
CHECKED J. WARD	TBD	K1DM3 STATOR	
DESIGNED C. RATLIFF	4/12/17	TITLE BEARING SHIM, ANTI-TIP	
ENGINEER		PROJECT CODE K1D3DD	DWG NO 872-LM3164
SW DOCUMENT FILE 872-LM3164	QUANTITY 2 EA	NEXT ASSY 872-LM3119	REV A 1

MATERIAL SEE NOTES	FINISH
-----------------------	--------