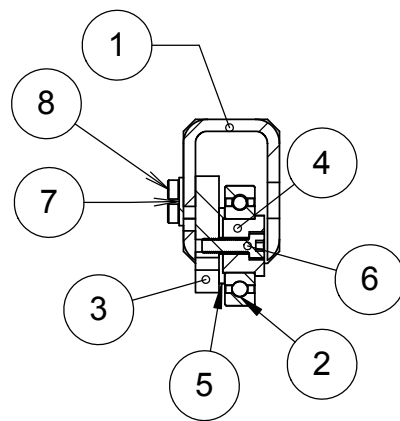
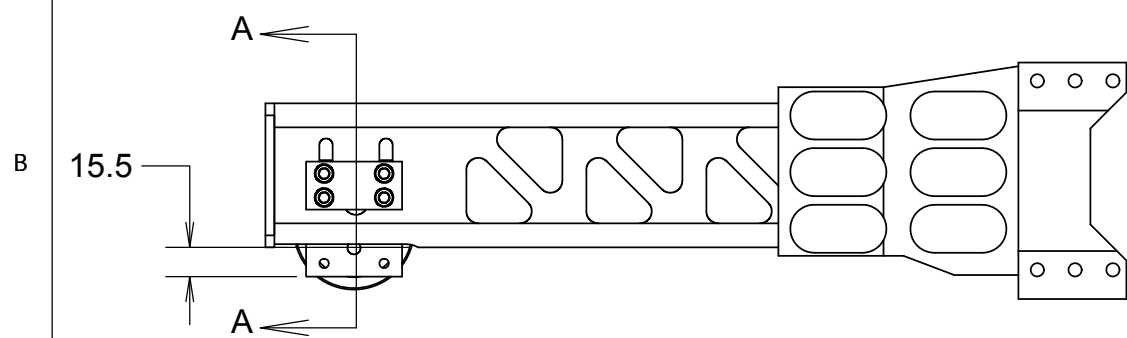
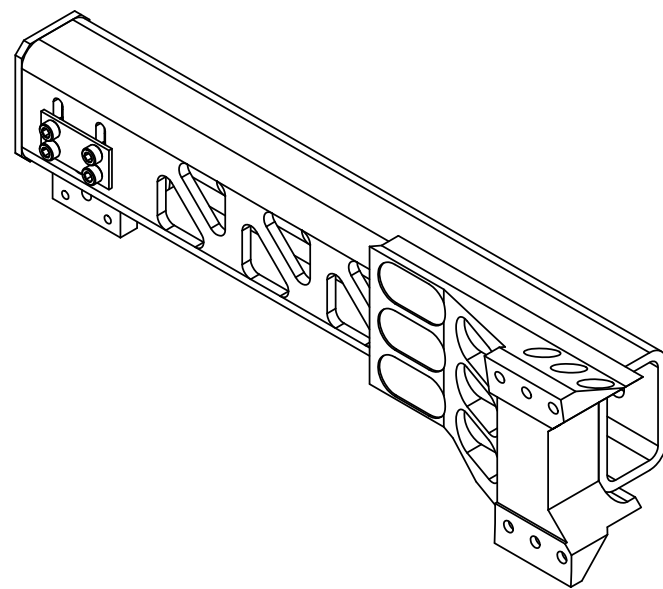


REVISIONS				
REV	DATE	DRWN	CHKD	DESCRIPTION
A	14APR17	CR		RELEASE



SECTION A-A  
SCALE 1 : 4

ITEM NO.	PartNo	DESCRIPTION	QTY.
1	872-LM3124	ANTI-TIP WHEEL MOUNT ARM	1
2	MC 2780T670	BALL BEARING, 2.5 INCH O.D.	1
3	872-LM3121	FLAT WHEEL MOUNT	1
4	872-LM3123	BEARING MOUNT ANTI-TIP	1
5	872-LM3164	BEARING HOLDER SHIM	1
6	MC 96144A215	SHCS, M8X25X1.0	1
7	872-LM3122	WASHER PLATE, ANTI-TIP	1
8	MC 91292A136	SHCS M6X18	4

**NOTES**

- MAY NEED TO REMOVE MORE MATERIAL FROM ITEM 1 DUE TO LARGE WELD BEAD ON OUTER DRUM
- APPLY LOCTITE TO ITEMS 6 AND 8 PRIOR TO FINAL INSTALLATION, TORQUE TO YIELD WHEN TIGHTENING

UNLESS OTHERWISE NOTED DIMENSIONS ARE IN MILLIMETERS & TOLERANCES ARE AS FOLLOWS:  
 X.X: ±0.10 mm X.XX: ±0.01 mm  
 ANGLES: ±0.5° FINISH: 3 MICRONS (µm)  
 BREAK ALL SHARP EDGES & CORNERS .25mm MAX

MATERIAL	FINISH
--	--



DRAWN <b>RATLIFF</b>	4/13/17	KECK 1 DEPLOYABLE TERTIARY MIRROR	
CHECKED		<b>OUTER DRUM ASSEMBLY</b>	
DESIGNED	<b>AUG2015</b>	TITLE ANTI-TIP ARM A, FLAT SIDE	
ENGINEER		PROJECT CODE K1D3DD	DWG NO <b>872-LM3162</b>
SW DOCUMENT FILE 872-LM3162 Flat Side Anti-Tip	QUANTITY ---	NEXT ASSY --	REV <b>A</b> 1/1