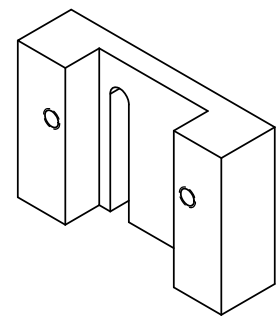
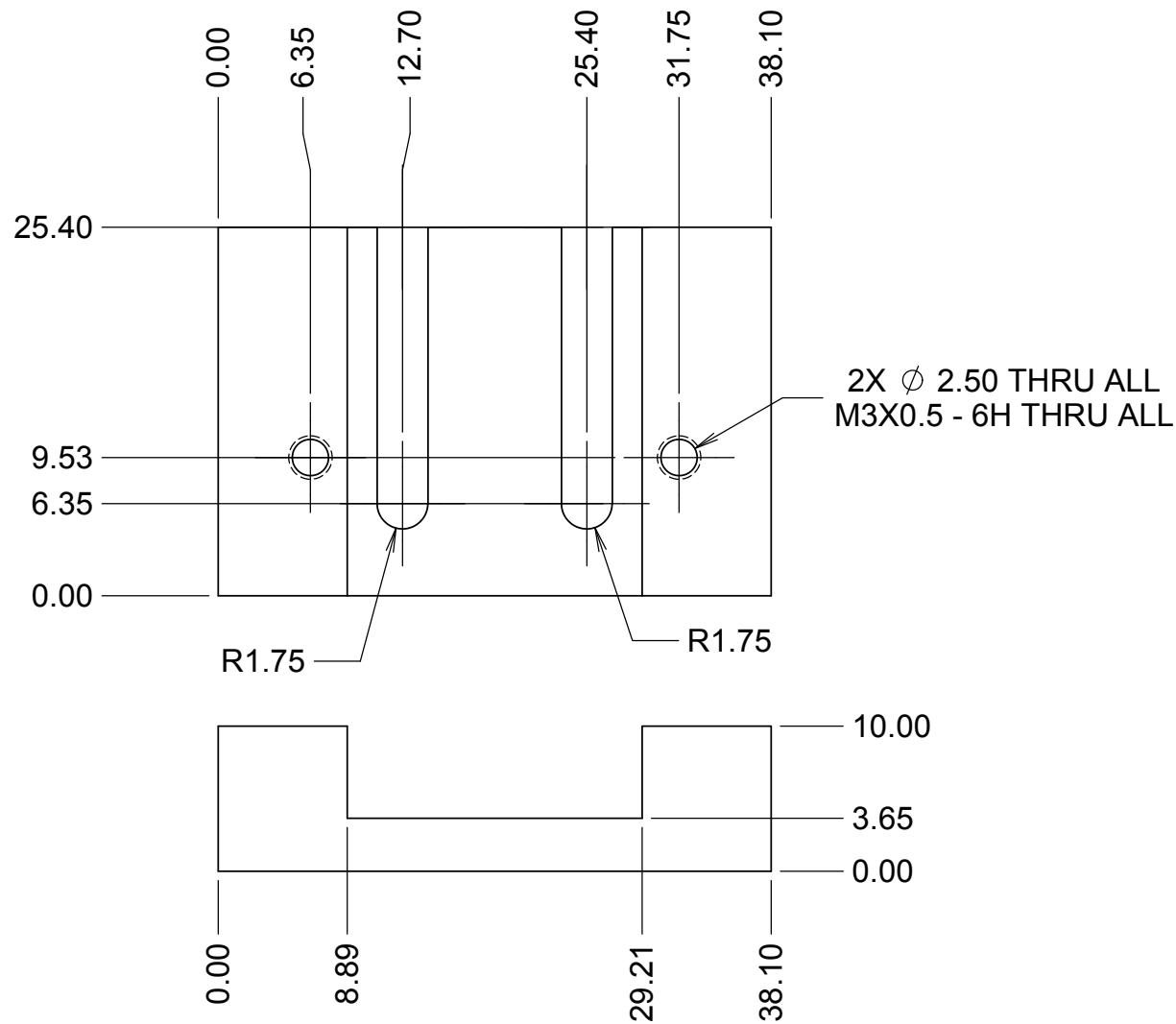



| REVISIONS | | | | |
|-----------|---------|-------|--------|-----------------|
| REV | DATE | DRW'N | CHCK'D | DESCRIPTION |
| A | 27MAR17 | CR | -- | INITIAL RELEASE |



NOTES

- CAD MODEL FILENAME, 872-LM3161 Seismic Pin Microswitch Mount
- MATERIAL: 6061 T6 ALUMINUM

| | | | | | | |
|--|------------|---|---|--|---------------------------------------|------------------------------|
| UNLESS OTHERWISE NOTED DIMENSIONS ARE IN MILLIMETERS & TOLERANCES ARE AS FOLLOWS: X.X: ±0.10 mm X.XX: ±0.01 mm ANGLES: ±0.5° FINISH: 3 MICRONS (µm) BREAK ALL SHARP EDGES & CORNERS .25mm MAX | |  | DRAWN: RATLIFF CHECKED: J WARD DESIGNED: RATLIFF ENGINEER: RATLIFF | QUANTITY: 1 SW DOCUMENT FILE: 872-LM3161.SLDPRT | PROJECT CODE: K1D3FD NEXT ASSY: -- | DWG NO: 872-LM3161 REV: A |
| MATERIAL: SEE NOTE 2. | FINISH: NA | | KECK 1 DEPLOYABLE TERTIARY MIRROR OUTER DRUM SEISMIC PIN SWITCH MOUNT | | | |