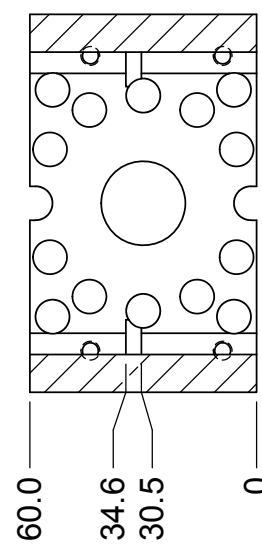
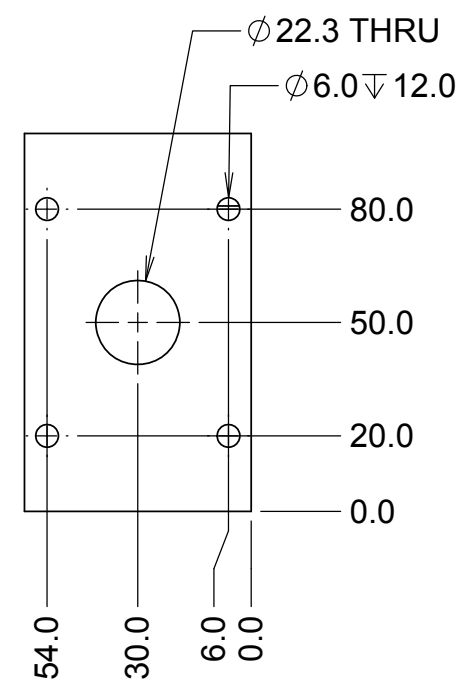
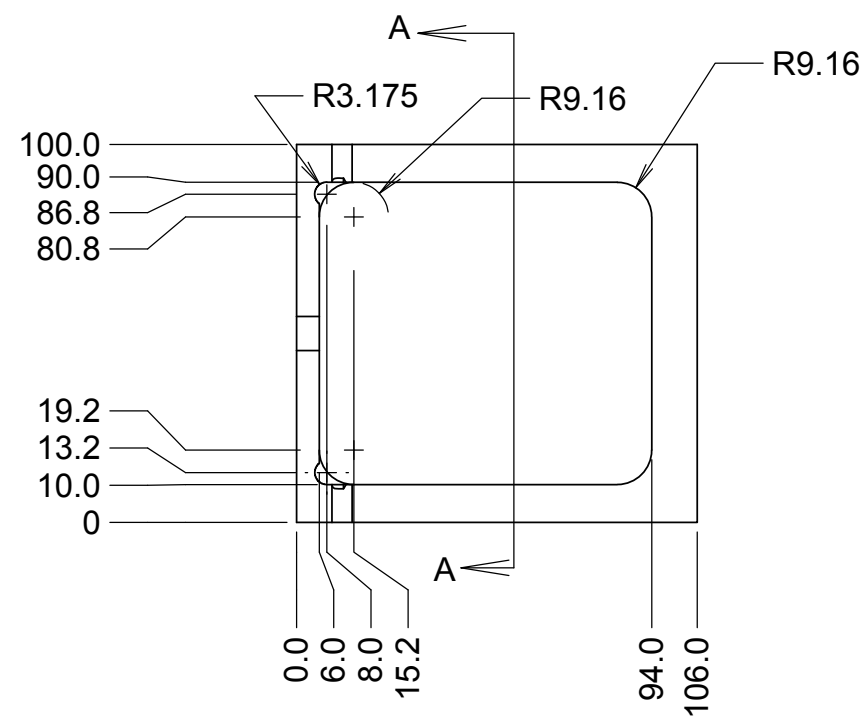
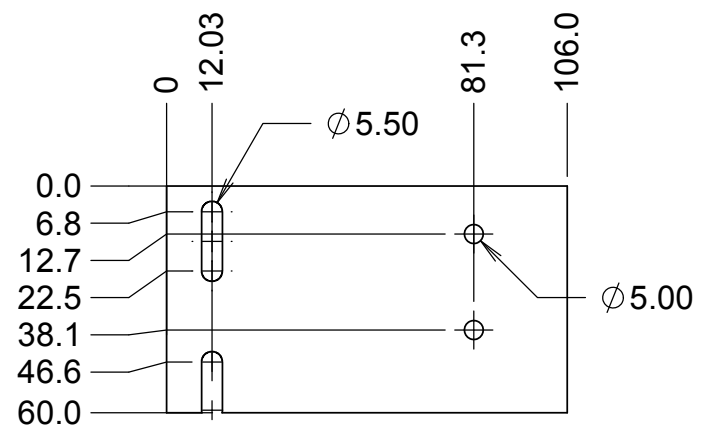
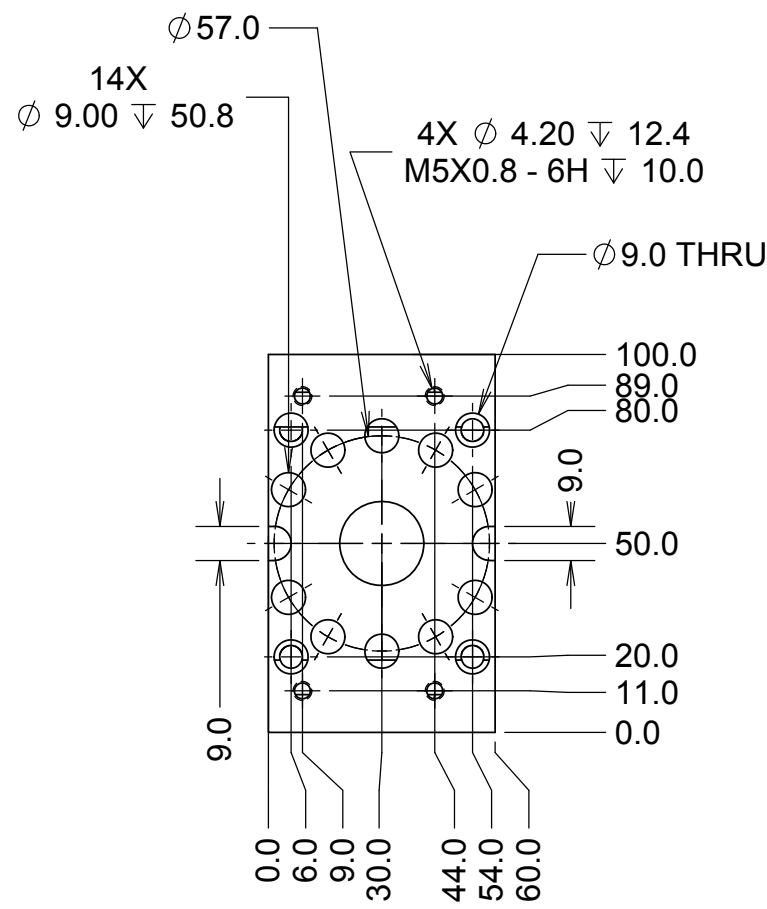


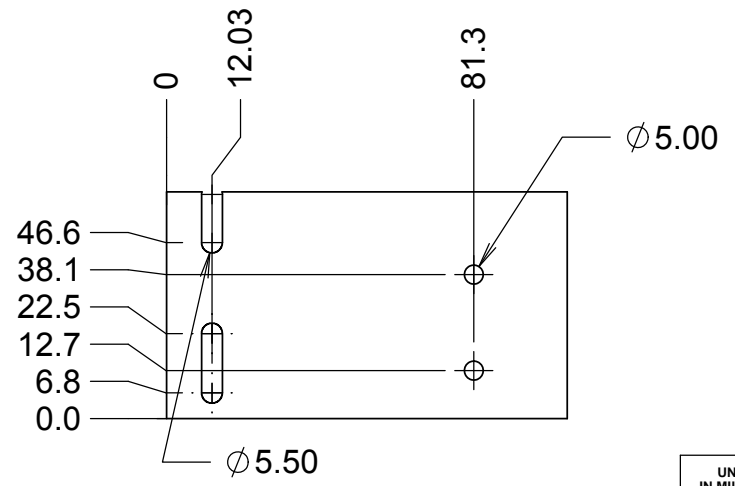
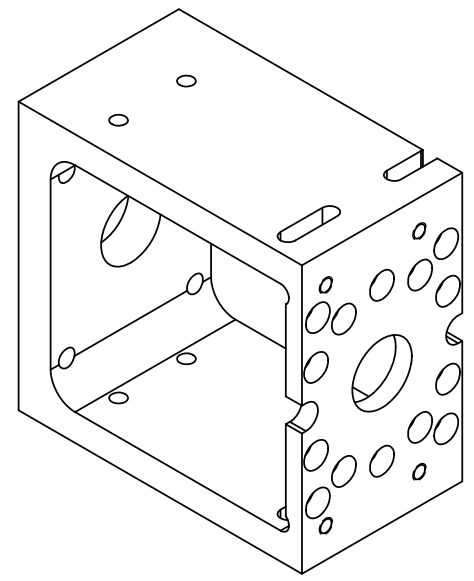
REVISIONS				
REV	DATE	DRW'N	CHCK'D	DESCRIPTION
A	23MAR17	CR	--	INITIAL RELEASE

D
C
B
A

D
C
B
A




SECTION A-A



NOTES

- CAD MODEL FILENAME, 872-LM3157 Modified Defining_Point_Air Motor Mount
- MATERIAL: 4130 STEEL, CHROMIUM NITRIDE COATED
- USE EXISTING PART AND ADD SLOTS AND INSIDE CORNER CUTTING

UNLESS OTHERWISE NOTED DIMENSIONS ARE IN MILLIMETERS & TOLERANCES ARE AS FOLLOWS: X.X: \pm 0.10 mm X.XX: \pm 0.01 mm ANGLES: \pm 0.5° FINISH: 3 MICRONS (μ m) BREAK ALL SHARP EDGES & CORNERS .25mm MAX		 LICK OBSERVATORY	DRAWN: RATLIFF CHECKED: -- DESIGNED: CR ENGINEER: RATLIFF SW DOCUMENT FILE: 872-LM3157.SLDPRPT	QUANTITY: 3 PROJECT CODE: K1D3FD DWG NO: 872-LM3157	KECK 1 DEPLOYABLE TERTIARY MIRROR TOOLING MODIFIED DEFINING POINT AIR MOTOR MOUNT	REV: A 1/1
---	--	---	---	--	--	----------------------

8 7 6 5 4 3 2 1