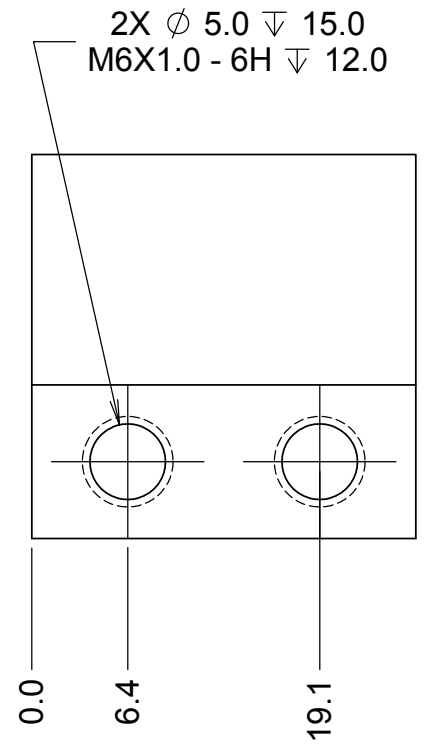
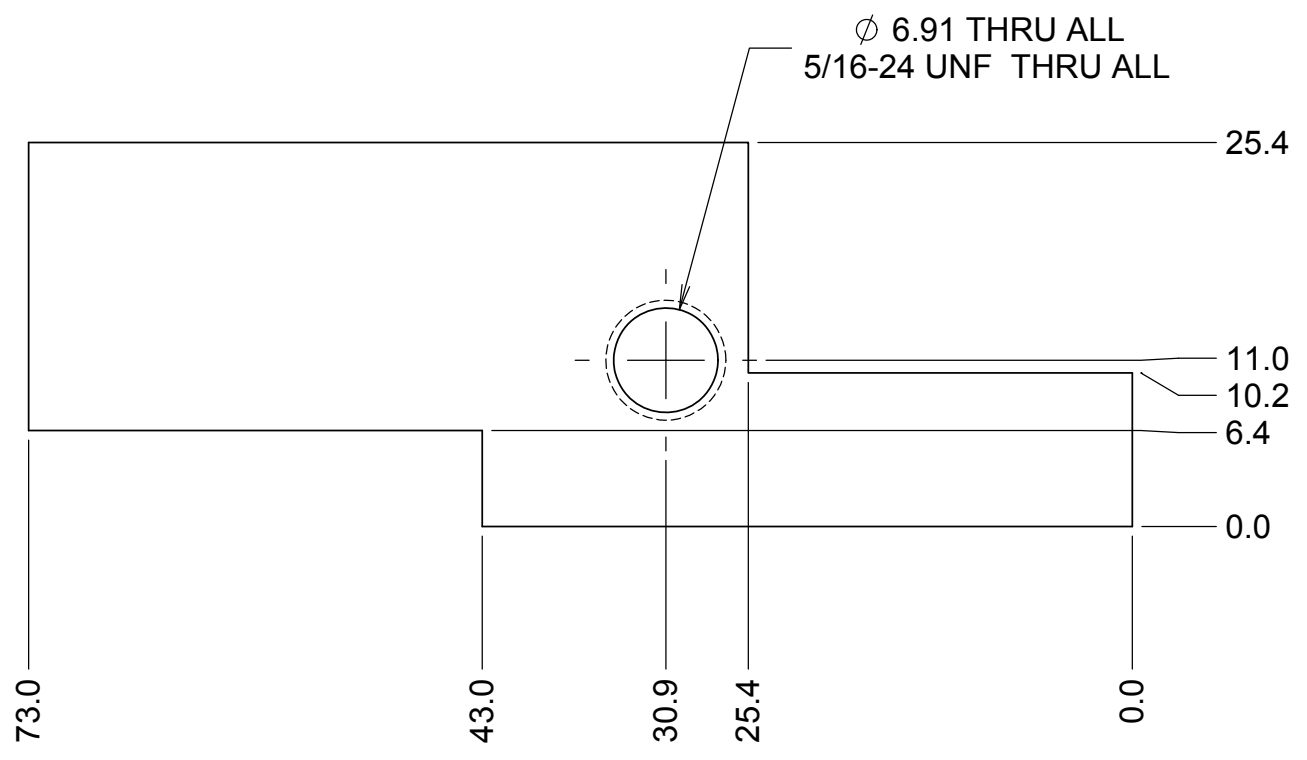
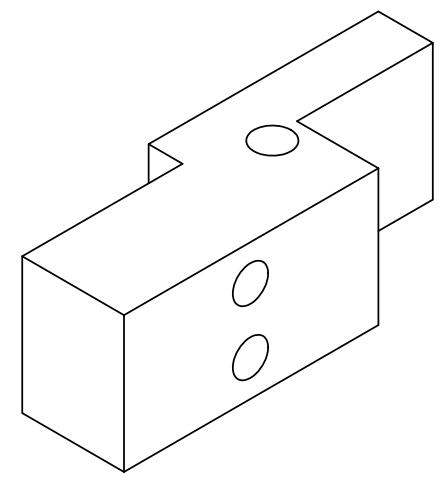
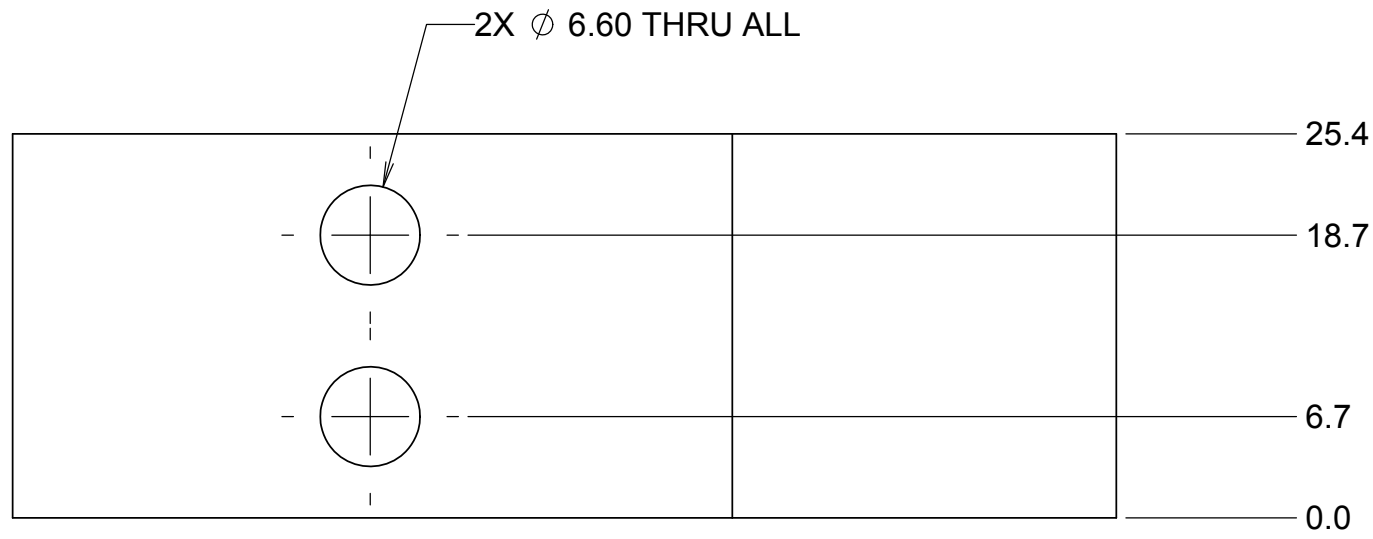


| REVISIONS | | | | |
|-----------|---------|-------|--------|-----------------|
| REV | DATE | DRW'N | CHCK'D | DESCRIPTION |
| A | 03MAR17 | CR | -- | INITIAL RELEASE |



NOTES

1 CAD MODEL FILENAME, 872-LM3152 Contact Z Adjustment C

| | | | | | | | |
|--|--|--|------------------|-------------------|----|-----------------------------------|------------|
| UNLESS OTHERWISE NOTED DIMENSIONS ARE IN MILLIMETERS * TOLERANCES ARE AS FOLLOWS: X.X: ±0.10mm X.XX: ±0.01mm ANGLES: ±0.5° FINISH: 3 MICRONS (µm) BREAK ALL SHARP EDGES * CORNERS .25mm MAX | | | DRAWN | RATLIFF | -- | KECK I DEPLOYABLE TERTIARY MIRROR | |
| MATERIAL: STEEL FINISH: NA | | | CHECKED | -- | -- | OUTER DRUM COMPONENTS | |
| | | | DESIGNED | CR | -- | TITLE: JACKING Z ADJUSTMENT C | |
| | | | ENGINEER | RATLIFF | -- | PROJECT CODE | K1D3FD |
| | | | SW DOCUMENT FILE | 872-LM3152.SLDPRT | 3 | DWG NO | 872-LM3152 |
| | | | QUANTITY | | | REV | A |
| | | | NEXT ASSY | -- | | | 1 |