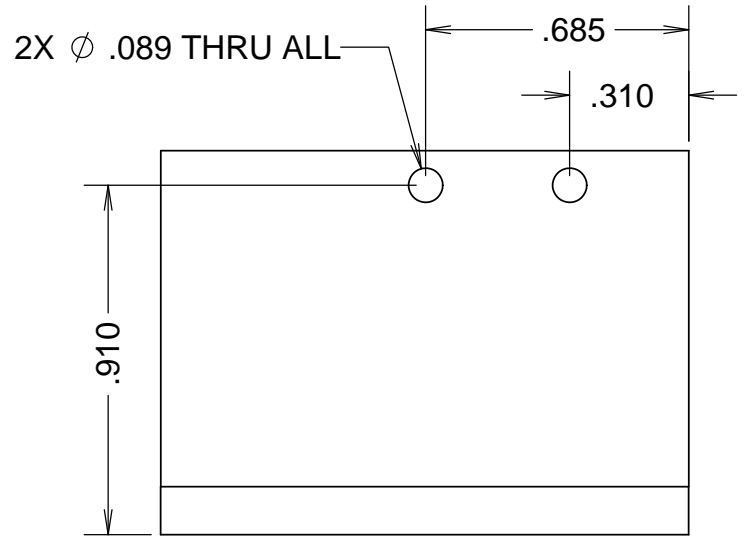
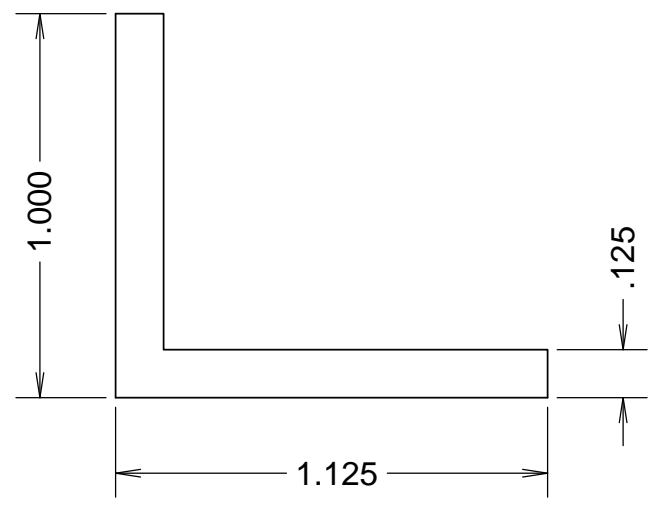
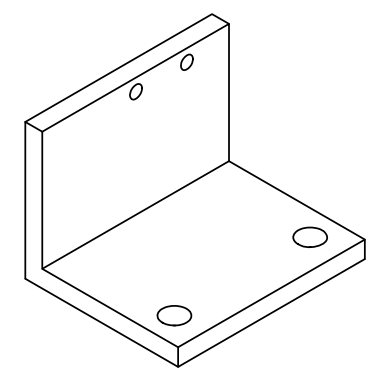
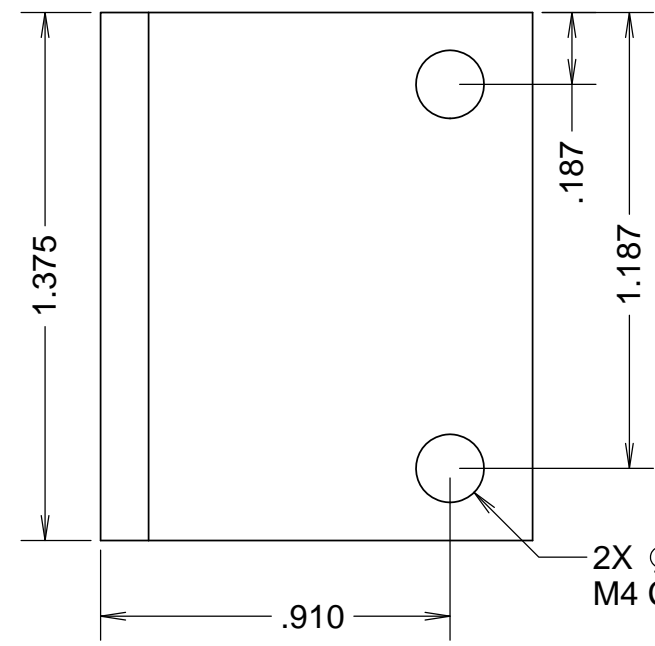


REVISIONS				
REV	DATE	DRW'N	CHCK'D	DESCRIPTION
A	24MAY17	GFC	JW	INITIAL RELEASE



NOTES

1 CAD MODEL FILENAME, 872-LM3150 Bracket Switch Actuator

UNLESS OTHERWISE NOTED DIMENSIONS ARE IN INCHES & TOLERANCES ARE AS FOLLOWS

X.X: ±0.1000" X.XX: ±0.0100"
 X.XXX: ±0.0050" X.XXXX: ±0.0001"
 ANGLES: ±0.5° FINISH: 125 MICRO INCHES
 BREAK ALL SHARP EDGES & CORNERS .002" MAX

MATERIAL	FINISH
AL 5XXX	64



DRAWN	CABAK	--	KECK 1 DEPLOYABLE TERTIARY MIRROR
CHECKED	--	--	OUTER DRUM
DESIGNED	CABAK	--	TITLE
DRAWN	CABAK	--	BRACKET, SWITCH ACTUATOR
SW DOCUMENT FILE	1	PROJECT CODE	K1D3FD
		DWG NO	872-LM3150
		NEXT ASSY	--
			A
			1/1