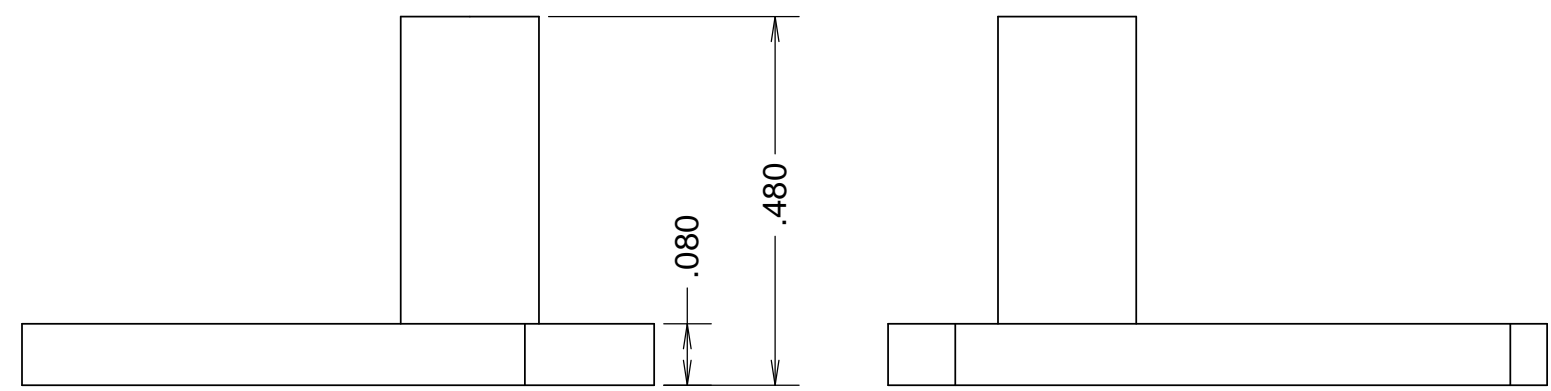
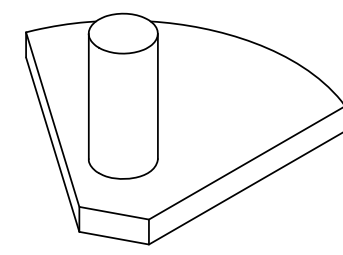
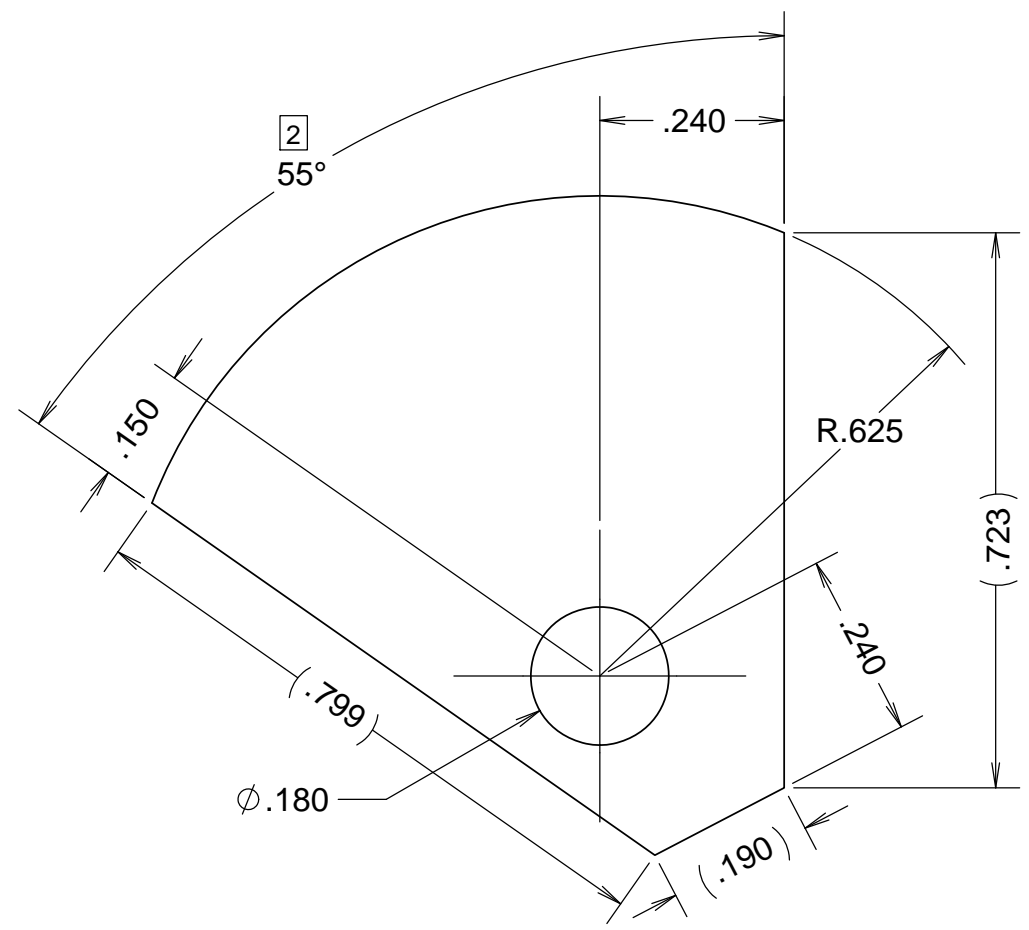


REVISIONS				
REV	DATE	DRW'N	CHCK'D	DESCRIPTION
A	24MAY17	GFC	JW	INITIAL RELEASE



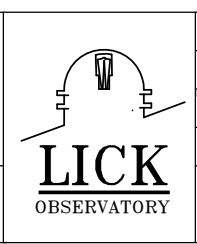
NOTES

- 1 CAD MODEL FILENAME, 872-LM3149 Switch Actuator
- 2 ANGLE TO CLEAR SCREWHEADS

UNLESS OTHERWISE NOTED DIMENSIONS ARE IN INCHES & TOLERANCES ARE AS FOLLOWS

X.X: $\pm 0.1000''$ X.XX: $\pm 0.0100''$
X.XXX: $\pm 0.0050''$ X.XXXX: $\pm 0.0001''$
ANGLES: $\pm 0.5^\circ$ FINISH: 125 MICRO INCHES
BREAK ALL SHARP EDGES & CORNERS .002" MAX

MATERIAL	FINISH
AL 5XXX	64



DRAWN	CABAK	--	KECK 1 DEPLOYABLE TERTIARY MIRROR
CHECKED	--	--	OUTER DRUM
DESIGNED	CABAK	--	TITLE
APPROVED	CABAK	--	SWITCH ACTUATOR
SW DOCUMENT FILE	1	PROJECT CODE	K1D3FD
		DWG NO	872-LM3149
		NEXT ASSY	--
			A
			1/1