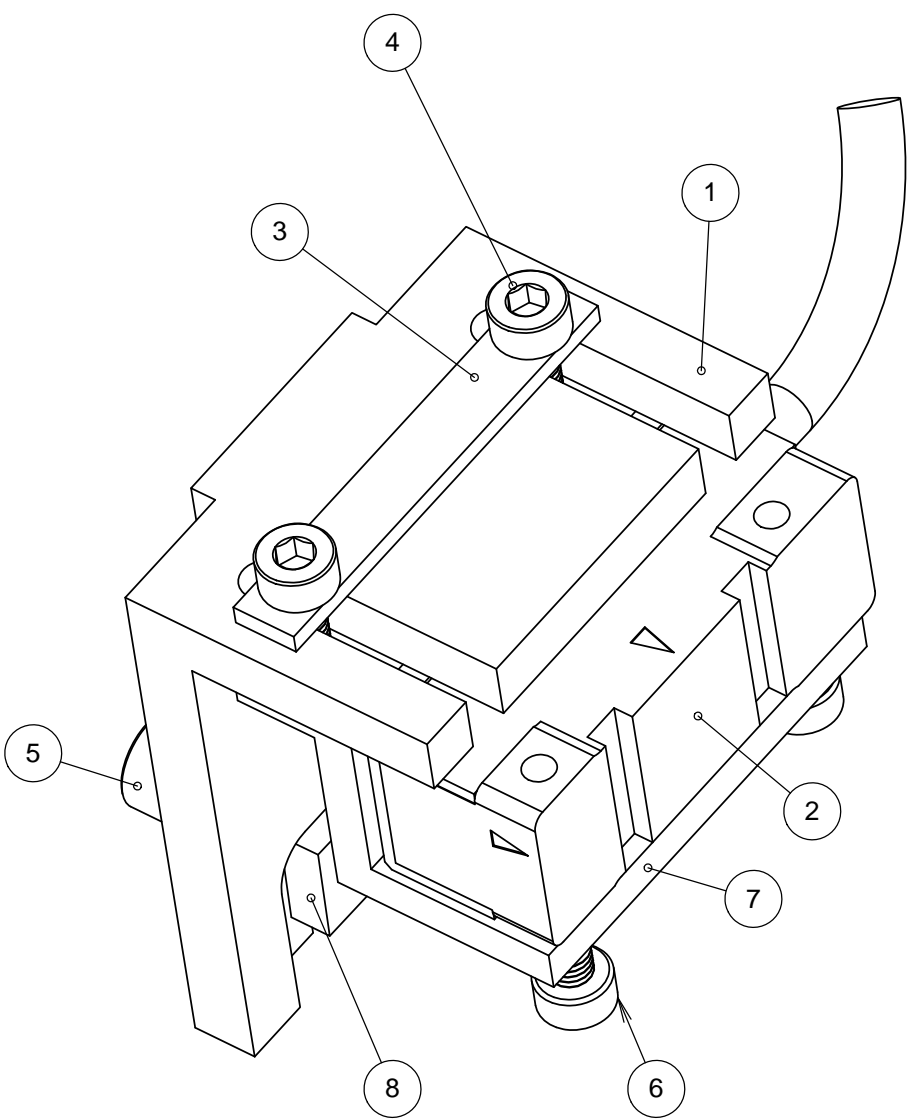


8 7 6 5 4 3 2 1

REVISIONS				
REV	DATE	DRW'N	CHCK'D	DESCRIPTION
A	21MAR17	CR	--	INITIAL RELEASE

ITEM	QTY	P/N	DESCRIPTION
1	1	872-LM3144	RENISHAW READHEAD MOUNT
2	1	RENISHAW LM13ICD40BA10A00	Load Encoder Readhead
3	1	872-LM3145	RENISHAW WASHER PLATE
4	2	MC 91274A106	SHCS M3X12
5	2	MC 91274A119	SHCS M4X16
6	2	92290A117	SHCS, 316 SST, M3x12, MMC
7	1	872-LM3143	READHEAD MOUNT A
8	1	872-LM3146	RENISHAW NUT PLATE



NOTES
 1 USE DRILL JIG 872-LM8535 FOR MOUNT HOLES ON OUTER DRUM

UNLESS OTHERWISE NOTED DIMENSIONS ARE IN INCHES & TOLERANCES ARE AS FOLLOWS X.X: ±0.1000" X.XX: ±0.0100" X.XXX: ±0.0050" X.XXXX: ±0.0001" ANGLES: ±0.5° FINISH: 125 MICRO INCHES BREAK ALL SHARP EDGES & CORNERS .002" MAX			DRAWN: CR CHECKED: -- DESIGNED: CRATLIFF ENGINEER: CR	QUANTITY: 1 PROJECT CODE: K1D3FD NEXT ASSY: --	KECK 1 DEPLOYABLE TERTIARY MIRROR OUTER DRUM OUTER DRUM RENISHAW ASSY	REV: A 1/1
MATERIAL: PARTS LIST	FINISH: NA		SW DOCUMENT FILE: 872-LM3147	DWG NO: 872-LM3147		

8 7 6 5 4 3 2 1