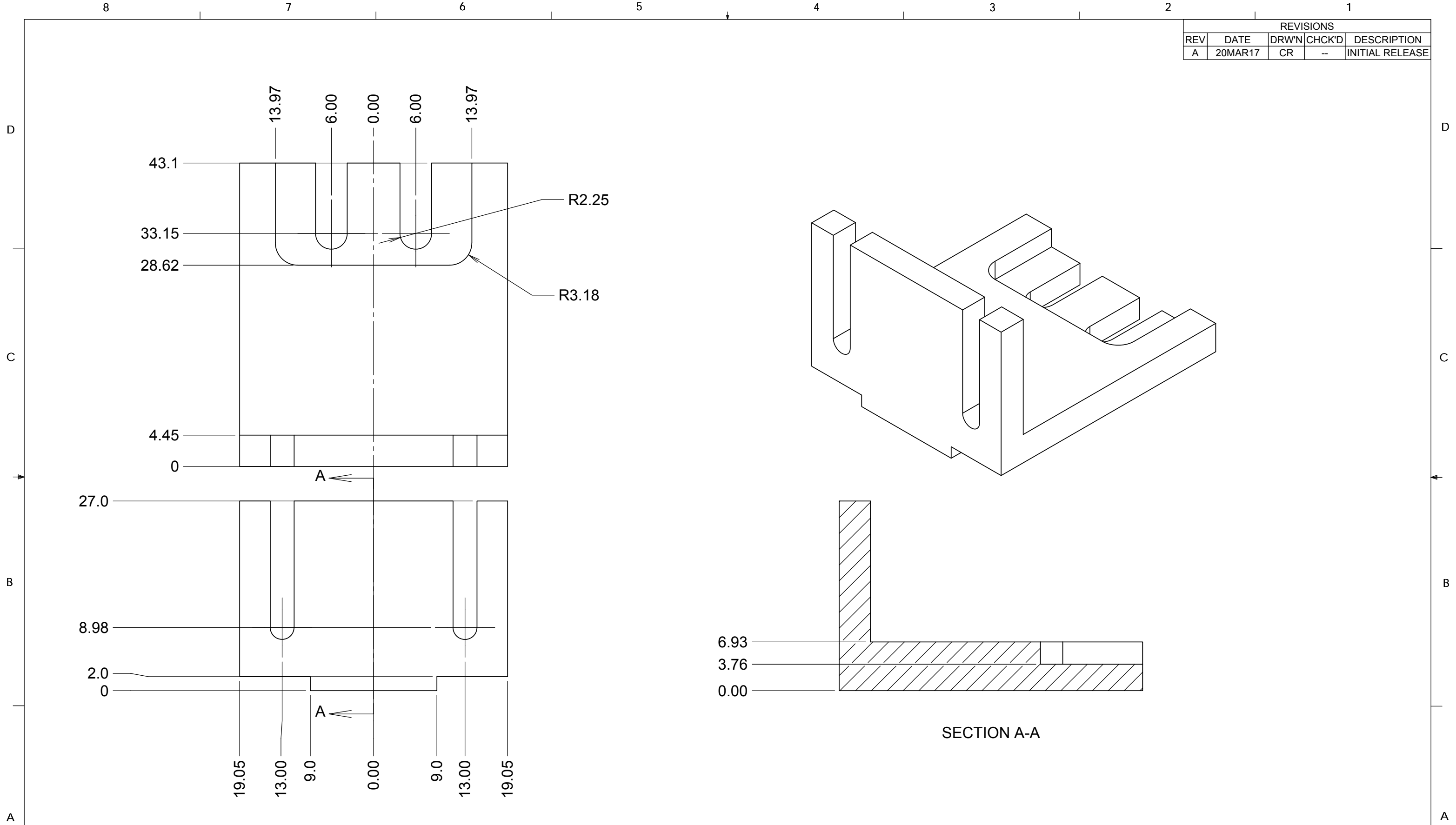



REVISIONS				
REV	DATE	DRW'N	CHCK'D	DESCRIPTION
A	20MAR17	CR	--	INITIAL RELEASE



**NOTES**

- 1 CAD MODEL FILENAME, 872-LM3144 Renishaw Readhead\_Mount
- 2. MATERIAL: 6061 T6 ALUMINUM

UNLESS OTHERWISE NOTED DIMENSIONS ARE IN MILLIMETERS & TOLERANCES ARE AS FOLLOWS: X.X: ±0.10 mm X.XX: ±0.04 mm ANGLES: ±0.1° FINISH: 3 MICRONS (µm) BREAK ALL SHARP EDGES & CORNERS .25mm MAX			DRAWN <b>RATLIFF</b>	--	KECK 1 DEPLOYABLE TERTIARY MIRROR	
			CHECKED <b>DC</b>	--	OUTER DRUM	
			DESIGNED <b>CR</b>	--	TITLE OUTER DRUM READHEAD MOUNT	
			ENGINEER <b>RATLIFF</b>	--		
MATERIAL NOTE 2	FINISH NA		SW DOCUMENT FILE 872-LM3144.SLDPRT	QUANTITY <b>1</b>	PROJECT CODE K1D3FD NEXT ASSY --	DWG NO <b>872-LM3144</b>
						REV <b>A</b> 1/1