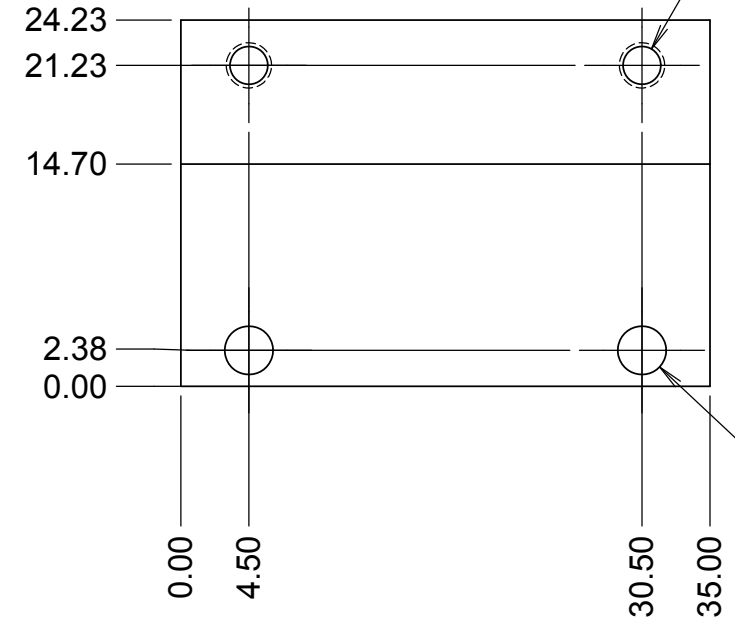
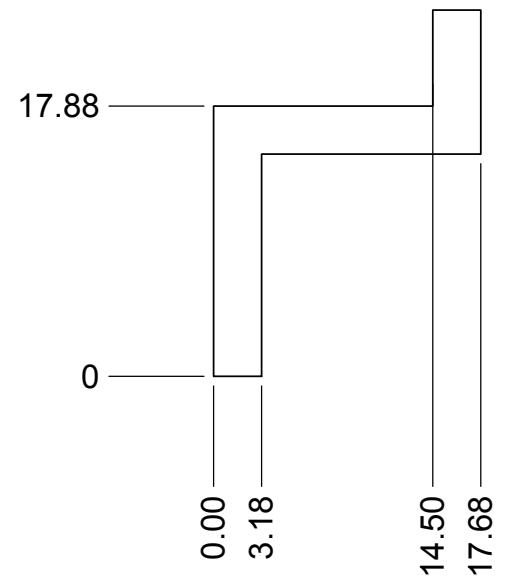
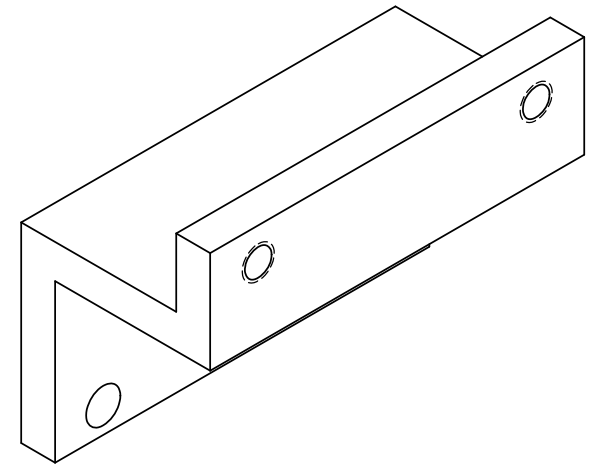
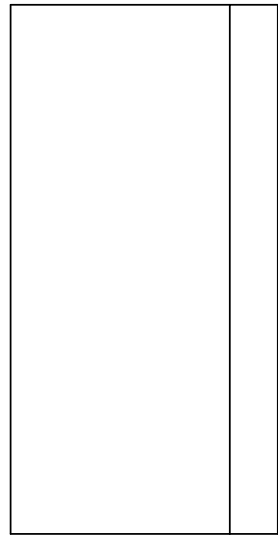


REVISIONS				
REV	DATE	DRW'N	CHCK'D	DESCRIPTION
A	21MAR17	CR	--	INITIAL RELEASE



2X  $\phi$  2.50 THRU ALL  
M3X0.5 - 6H THRU ALL

2X  $\phi$  3.20 THRU ALL

**NOTES**

- 1 CAD MODEL FILENAME, 872-LM3143 Renishaw read head mount
- 2. MATERIAL: 6061 T6 ALUMINUM

UNLESS OTHERWISE NOTED DIMENSIONS ARE IN MILLIMETERS & TOLERANCES ARE AS FOLLOWS: X.X: $\pm 0.10$ mm X.XX: $\pm 0.04$ mm ANGLES: $\pm 0.1^\circ$ FINISH: 3 MICRONS ( $\mu\text{m}$ ) BREAK ALL SHARP EDGES & CORNERS .25mm MAX			DRAWN <b>RATLIFF</b>	--	KECK 1 DEPLOYABLE TERTIARY MIRROR	
			CHECKED <b>JW</b>	--	OUTER DRUM	
			DESIGNED <b>CR</b>	--	TITLE RENISHAW READHEAD MOUNT	
			ENGINEER <b>RATLIFF</b>	--		
MATERIAL NOTE 2	FINISH NA		SW DOCUMENT FILE 872-LM3143.SLDPRT	QUANTITY <b>1</b>	PROJECT CODE K1D3FD NEXT ASSY --	DWG NO <b>872-LM3143</b>
					REV <b>A</b>	1