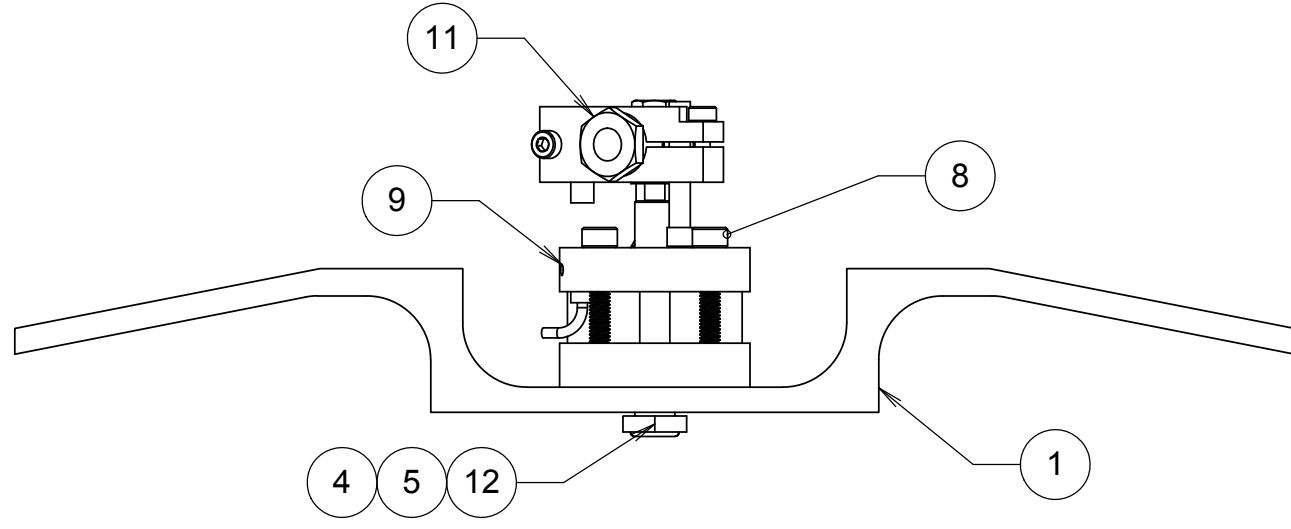
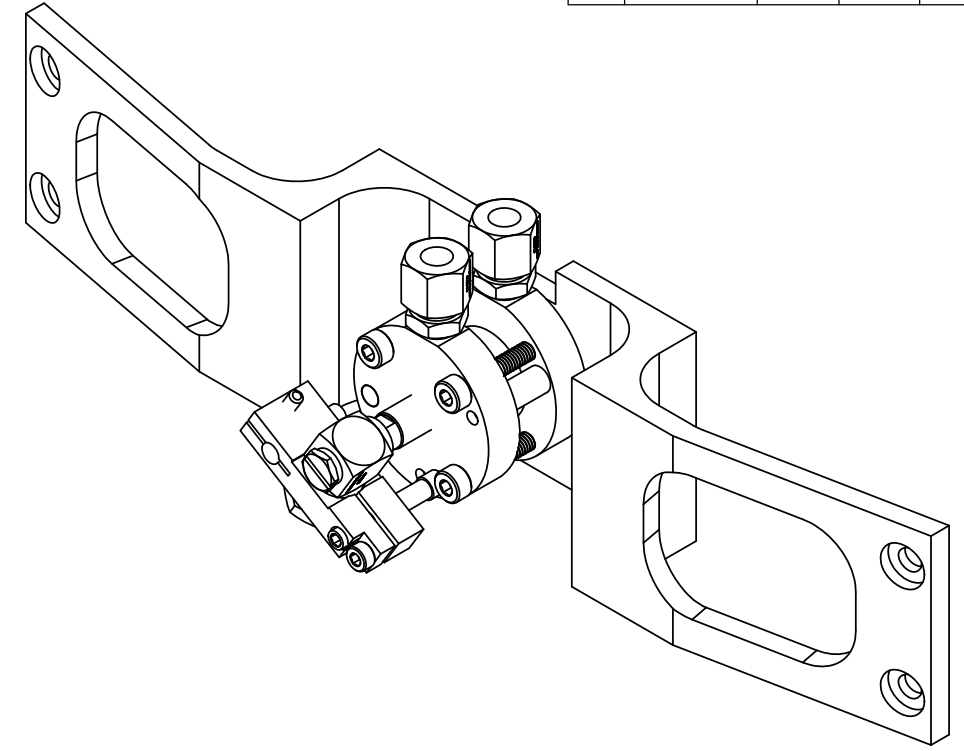
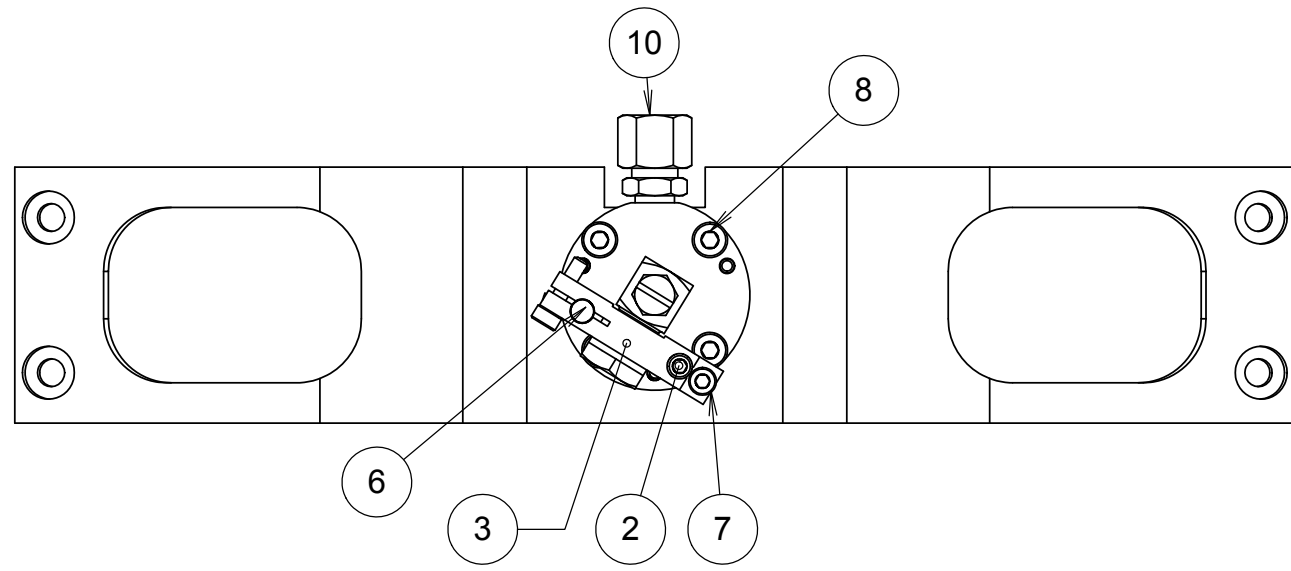


REVISIONS				
REV	DATE	DRWN	CHK'D	DESCRIPTION
A	12JAN17	GFC	CTR	PRELIMINARY RELEASE
B	22OCT18	GFC	BR	CORRECTED ITEM 1
C	9NOV18	CR		CORRECTED O-RING AND ITEM 12
D	15NOV18	CR		REVERTED TO REV B



ITEM	QTY	PartNo	DESCRIPTION
1	1	KDM3127	COMPRESSED AIR SUPPLY MOUNT
2	1	872-LM3134	MODIFIED SHOULDER SCREW
3	1	872-LM3141	BIMBA MAGNET MOUNT, TYPE 3
4	1	MC 5267T210	VITON O-RING 2-010
5	1	9263K284	METRIC O-RING, MMC
6	1	65985K15	HALL EFFECT SENSOR, MMC
7	2	92290A117	SHCS, 316 SST, M3x12, MMC
8	4	93705A827	SHCS, M2 X 25, MMC
9	1	FOR-040.4-BH	PNEUMATIC ACTUATOR, BIMBA
10	2	MCB-14-303-V	FITTING, 1/4" COMPRESSION X 10-32, SST, VITON, BESWICK
11	1	MCBL-14-303-V	COMPRESSION FITTING, BESWICK, MODIFIED NUT
12	1	872-LM3128	COMPRESSED AIR SUPPLY FITTING

NOTES

- MUST BE ASSEMBLED IN ORIENTATION SHOWN FOR MAGNETIC SWITCH TO OPERATE

UNLESS OTHERWISE NOTED DIMENSIONS ARE IN MILLIMETERS & TOLERANCES ARE AS FOLLOWS: X: ±0.25mm X.X: ±0.10 mm X.XX: ±0.01 mm ANGLES: ±0.5° FINISH: 3 MICRONS (µm) BREAK ALL SHARP EDGES & CORNERS .25mm MAX			DRAWN: CABAK CHECKED: RATLIFF 11/16/16 DESIGNED: C. RATLIFF 11/16/16 ENGINEER: C. RATLIFF	KECK 1 DEPLOYABLE TERTIARY MIRROR STATOR OUTER DRUM	
PARTS LIST	--		SW DOCUMENT FILE: 872-LM3142 QUANTITY: 1	PROJECT CODE: K1D3DD NEXT ASSY: KDM3000	DWG NO: 872-LM3142 REV D 1