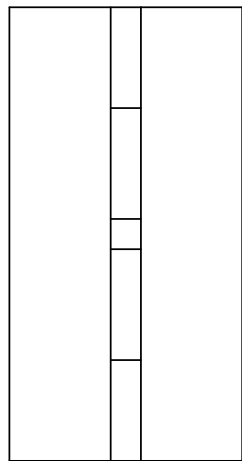
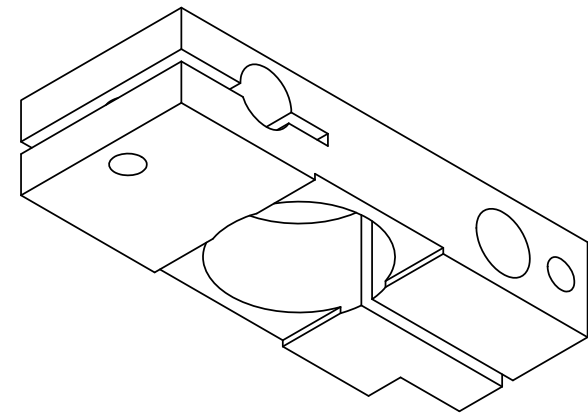
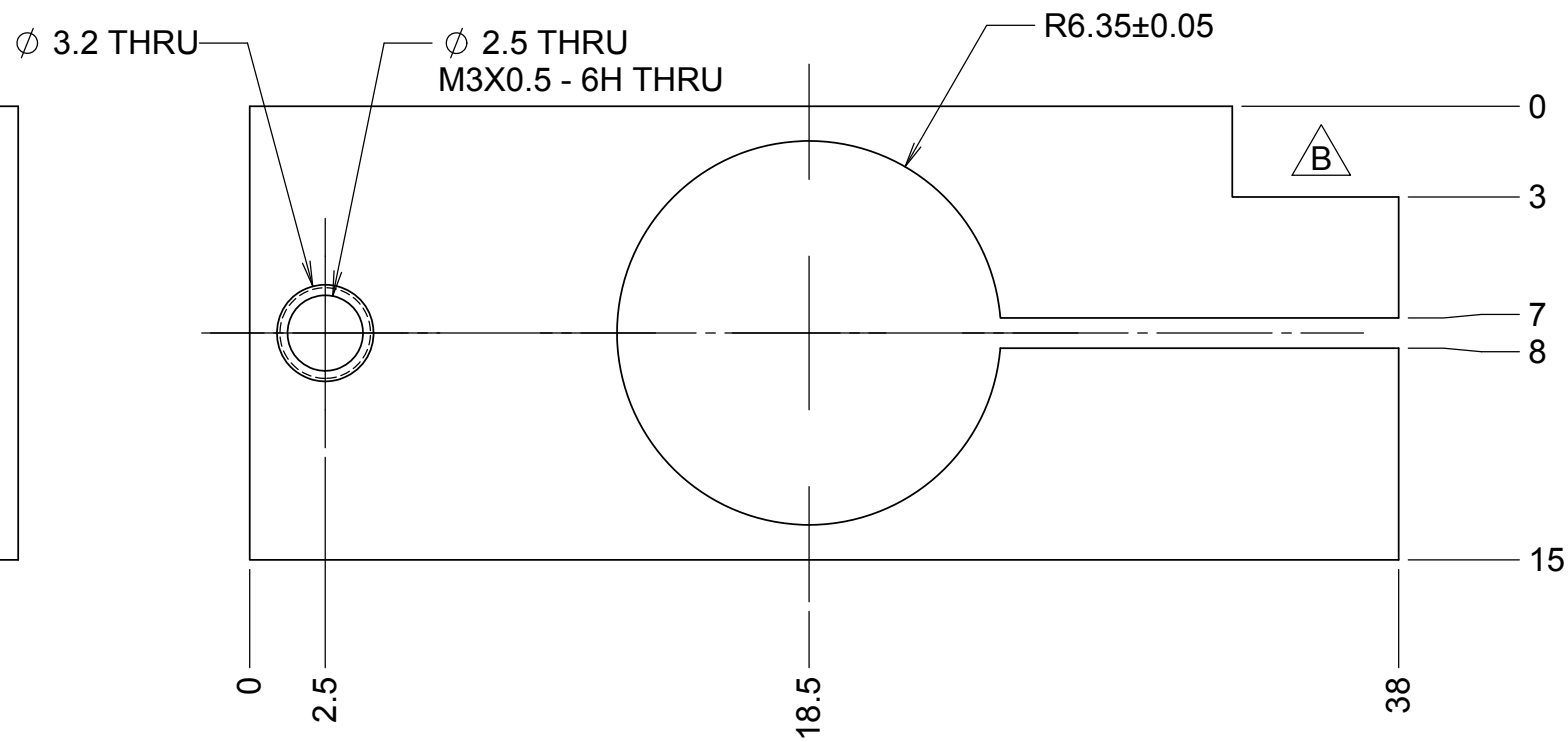
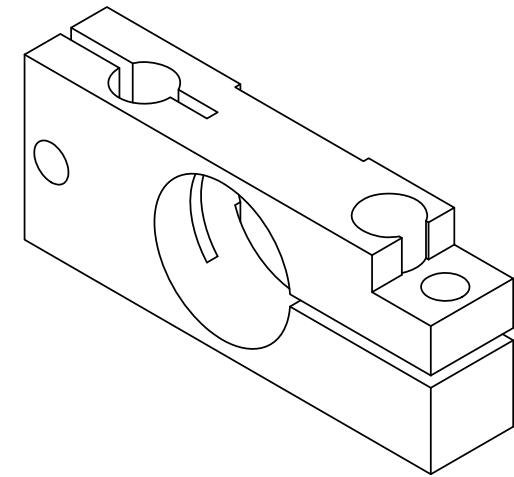
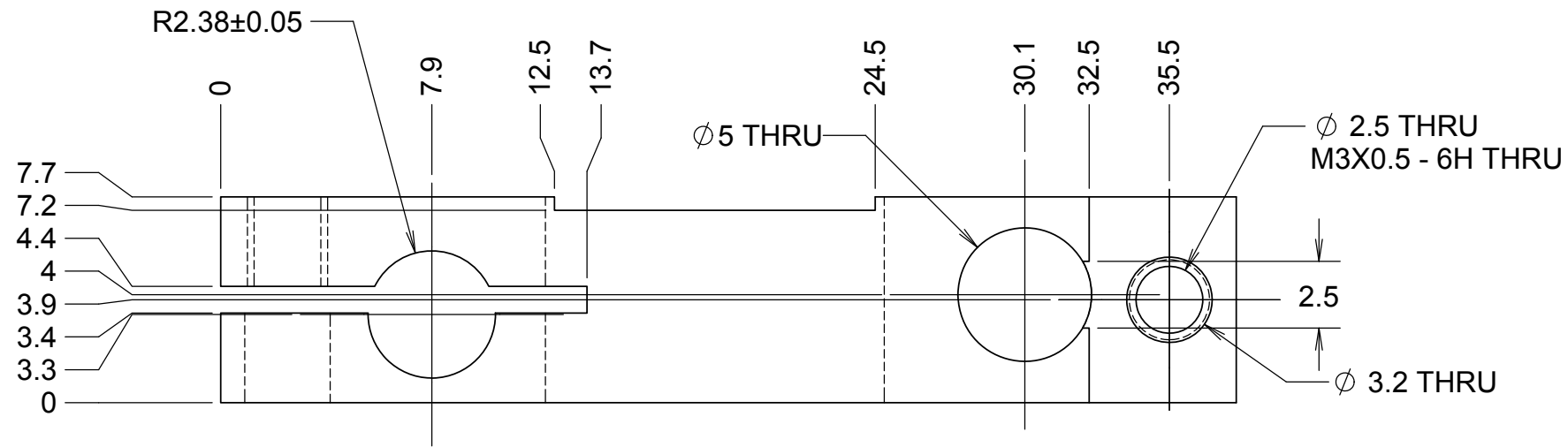


REVISIONS				
REV	DATE	DRWN	CHK'D	DESCRIPTION
A	12JAN17	GFC	CR	PRELIMINARY RELEASE
B	12JAN17	GFC	CTR	ADDED NOTCH



UNLESS OTHERWISE NOTED DIMENSIONS ARE IN MILLIMETERS & TOLERANCES ARE AS FOLLOWS:
 X: ±0.25mm X.X: ±0.10 mm X.XX: ±0.01 mm
 ANGLES: ±0.5° FINISH: 3 MICRONS (µm)
 BREAK ALL SHARP EDGES & CORNERS .25mm MAX

MATERIAL	FINISH
AL GOG 1-T6	64 BLACK ANODIZE



DRAWN	CABAK	PROJECT CODE	K1D3DD	DWG NO	872-LM3141	REV	B
CHECKED	RATLIFF	DATE	11/8/16	TITLE	COMPRESSED AIR MAGNET MOUNT, TYPE 3		
DESIGNED	RATLIFF	DATE	11/8/16	NEXT ASSY	KDM3000		
ENGINEER	RATLIFF	QUANTITY	1				
	SW DOCUMENT FILE		872-LM3141				